

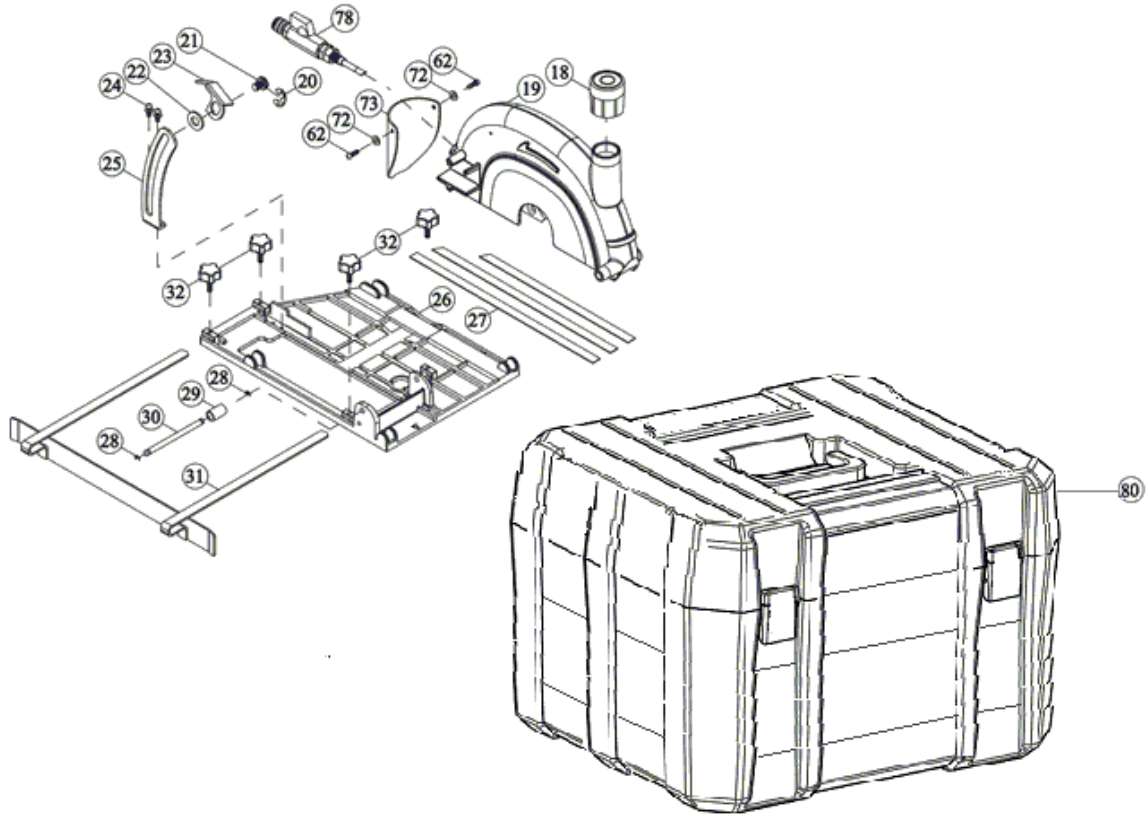
Part-list	ES	EN	Prod.
1	A	GRUPO A	GROUP A
2	B	GRUPO B	GROUP B
3	C	GRUPO C	GROUP C

Prod.	ES	EN	From serial num.
50939	CORTADORA CIRCULAR TC-180 230V 50/60HZ	CIRCULAR HAND SAW TC-180 230V 50/60HZ	-
50949	CORTADORA CIRCULAR TC-180 110V 50/60 UK	CORTADORA CIRCULAR TC-180 110V 50/60 UK	-

Queda reservado el derecho de introducir cualquier modificacion técnica sin previo aviso

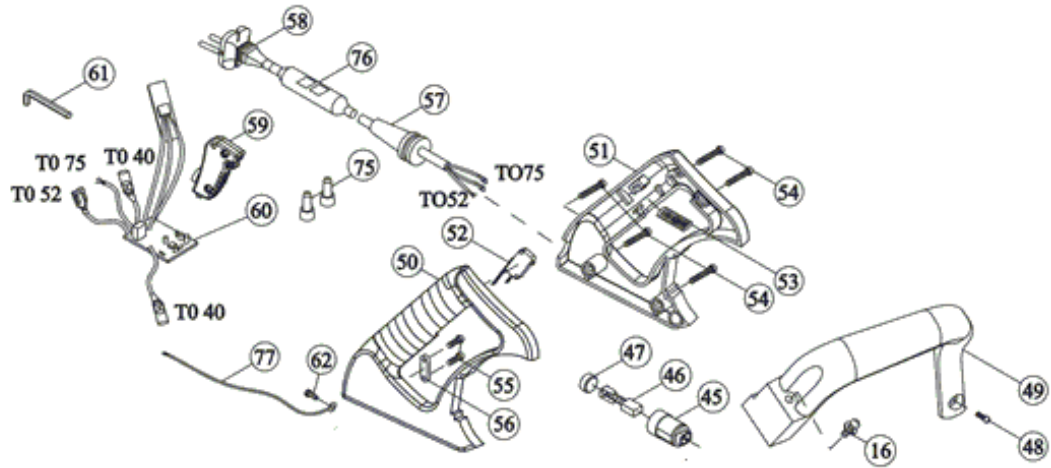
We reserve the right to introduce any technical modification without previous notice

A



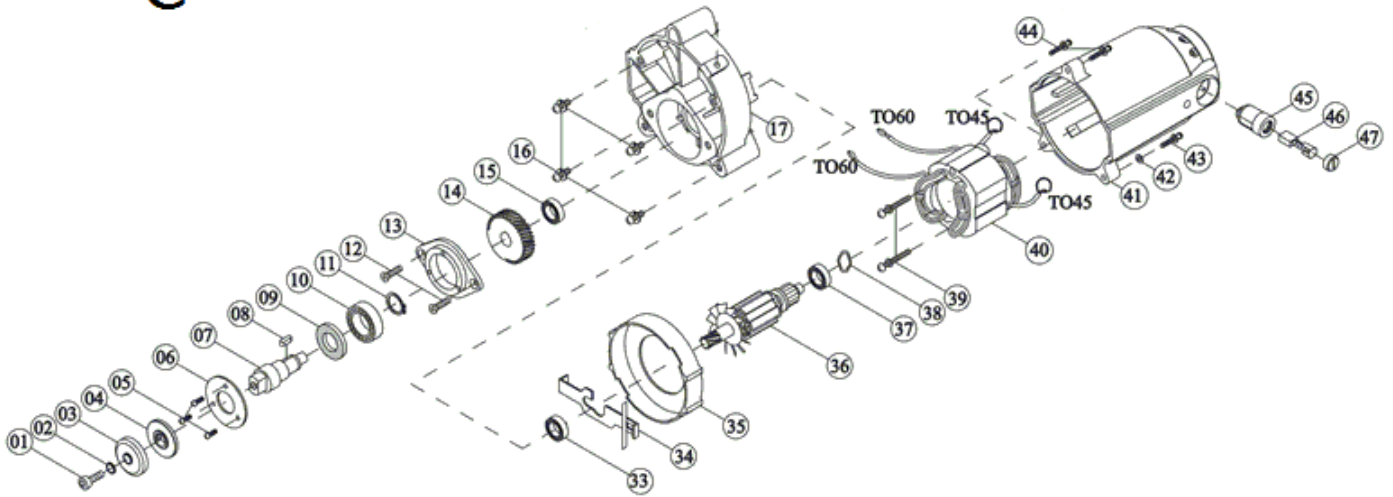
Part-list	ES	EN	Prod.
18	51311 1	TAPON MANGUERA TC-180	HOSE CAP TC-180
19	51783 1	PROTECTOR DISCO TC-180	BLADE COVER TC-180
20	51628 1	ANILLO ELAST.DIN 6799 10 PV	CIRCLIP DIN 6799 Ø 10
21	51646 1	TORN FRENO PROFUNDIDAD TC-180	DEPH STOP BOLT TC-180
22	51644 1	ARAND PLANA Ø8xØ20x1	FLAT WASHER Ø8xØ20x1
23	51645 1	PALANCA FRENO TC-180	DEPTH STOP LEVER TC-180
24	50663 2	TORN DIN 7985 M4X8 6.8 ZN	SCREW DIN 7985 M4X8 6.8 ZP
25	51434 1	GUIA TOPE PROFUNDIDAD TC-180	DEPTH STOP TRACK TC-180
26	51313 1	BASE TC-180	BASE TC-180
27	51399 1	CINTAS ANTIFRICCION TC-180 (25/28,5/29)	STRIPS TC-180 (25/28,5/29)
29	51376 1	CASQ Ø8.1XØ15.9X18.3 TC-180	BUSHING Ø8.1XØ15.9X18.3 TC-180
30	51784 1	EJE ROTACION Ø7,9X96,3 TC-180	SWIVEL AXLE Ø7,9X96,3 TC-180
31	51622 1	TOPE LATERAL TC-180	LATERAL STOP TC-180
32	51629 4	POMO M5 TC-180	THUMB KNOB M5 TC-180
73	51382 1	GOMA PROTECTORA TC-180	RUBBER FENDER TC-180
78	51319 1	KIT CONECTOR ALIMENTACION AGUA TC-180	WATER FEED CONNECTOR KIT TC-180
80	51365 1	MALETA TC-180	CASE TC-180

B



Part-list	ES	EN	Prod.	
16	56271 5	TORN DIN 7985 M5X20 6.8 ZN	SCREW DIN 7985 M5X20 6.8 ZP	
45	51374 1	PORTAESCOBILLAS TC-180	BRUSH HOLDER TC-180	
46	51347 1	JUEGO ESCOBILLAS TC-180 (2 UN)	CARBON BRUSH SET TC-180 (2 UN)	
47	51375 1	TAPA ESCOBILLA TC-180	BRUSH CAP TC-180	
52	51692 1	INTERRUPTOR TC-180 120V	SWITCH TC-180 120V	50949
52	51289 1	INTERRUPTOR TC-180 230V	SWITCH TC-180 230V	50939
53	51377 1	MUELLE Ø0.8XØ6.4XØ8X26LX9T TC-180	SPRING Ø0.8XØ6.4XØ8X26LX9T TC-180	
57	51407 1	PROTECCION CABLE TC-180	CORD ARMOR TC-180	
58	51406 1	ENCHUFE CABLE 1,5X3 3M TC-180	POWER SUPPLY CORD 1,5X3 3M TC-180	
59	51378 1	PULSADOR INTERRUPTOR TC-180	SWITCH TRIGGER TC-180	
60	51379 1	PLACA ELECTRONICA 220V TC-180	ELECTRONICS UNIT 220V TC-180	50939
60	51693 1	PLACA ELECTRONICA 120V TC-180	ELECTRONICS UNIT 120V TC-180	50949
76	51340 1	PROTECCION CONTRA SOBRECARGA 220V TC-180	OVERLOAD PROTECTION TC-180	

C



Part-list	ES	EN	Prod.
1	51314 1	TORN M8X20 TC-180	SCREW M8X20 TC-180
2	51315 1	ARAND Ø8XØ20X3 TC-180	WASHER DIA.8X20X3 TC-180
3	51316 1	PLATO EXTERIOR TC-180	OUTER FLANGE TC-180
4	51317 1	PLATO INTERIOR TC-180 22,2MM	INNER FLANGE TC-180 22,2MM
5	60039 3	TORN DIN 965 M4X8 6.8 ZN	SCREW DIN 7981 3,5X9,5 6.8 ZP
6	51700 1	PLACA DE RETENCION TC-180	RETAINING PLATE TC-180
9	51366 1	ARAND FIELTRO Ø19xØ35x4 TC-180	FELT PACKING Ø19xØ35x4 TC-180
10	51367 1	RODAMIENTO DE BOLAS 6202 2NSE TC-180	BALL BEARING 6202 2NSE TC-180
11	51368 1	ARAND RETENCION EXTERNA TC-180	EXTERNAL CIRCLIP TC-180
12	51699 2	TORN DIN 965 M5X15 ZN	SCREW DIN 965 M5X15 ZN
13	51702 1	SOPORTE RODAMIENTOS TC-180	BEARING HOLDER TC-180
14	51369 1	ENGRANAJE DE SALIDA TC-180	OUTPUT GEAR TC-180
15	51370 1	RODAMIENTO DE BOLAS 608 ZZ TC-180	BALL BEARING 608 ZZ TC-180
16	56271 5	TORN DIN 7985 M5X20 6.8 ZN	SCREW DIN 7985 M5X20 6.8 ZP
17	51286 1	CAJA ENGRANAJES TC-180	GEAR BOX TC-180
33	51371 1	RODAMIENTO DE BOLAS 6202LLU P.33 TC-180	BALL BEARING 6202LLU POS.33 TC-180
34	51341 1	PERNO DE CIERRE TC-180	SPINDLE LOCK TC-180
35	51342 1	TAPA VENTILADOR TC-180	FAN SHROUD TC-180
36	51287 1	ROTOR TC-180 230V	ROTOR TC-180 230V
36	51696 1	ROTOR TC-180 120V	ROTOR TC-180 120V
37	51372 1	RODAMIENTO DE BOLAS 6202LLU P.37 TC-180	BALL BEARING 6202LLU POS.37 TC-180
38	51373 1	ARAND DE RESORTE TC-180	WAVE SPRING WASHER TC-180
40	51288 1	ESTATOR TC-180 230V	STATOR TC-180 230V
40	51697 1	ESTATOR TC-180 120V	STATOR TC-180 120V