

Part-list	ES	EN	Prod.
-----------	----	----	-------

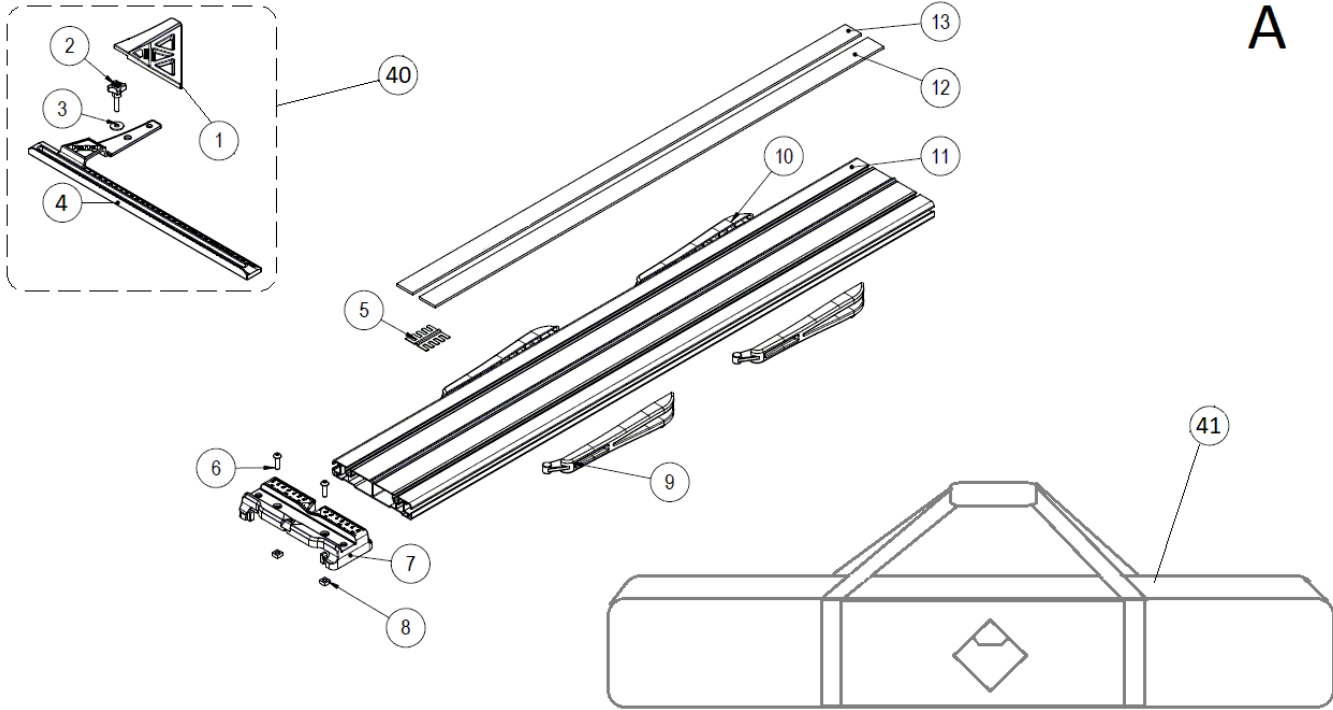
1	GRUPO A	GROUP A	
2	GRUPO B	GROUP A	

Prod.	ES	EN	From serial num.
13932	FAST 65CM C/BOLSA -CORTADOR MANUAL	FAST 65CM W/BAG	FA027441
13939	FAST 85CM C/BOLSA -CORTADOR MANUAL	FAST 85CM W/BAG	FA027441
13940	FAST 65CM -CORTADOR MANUAL	FAST 65CM	FA027441
13941	FAST 85CM -CORTADOR MANUAL	FAST 85CM	FA027441

Queda reservado el derecho de introducir cualquier modificacion técnica sin previo aviso

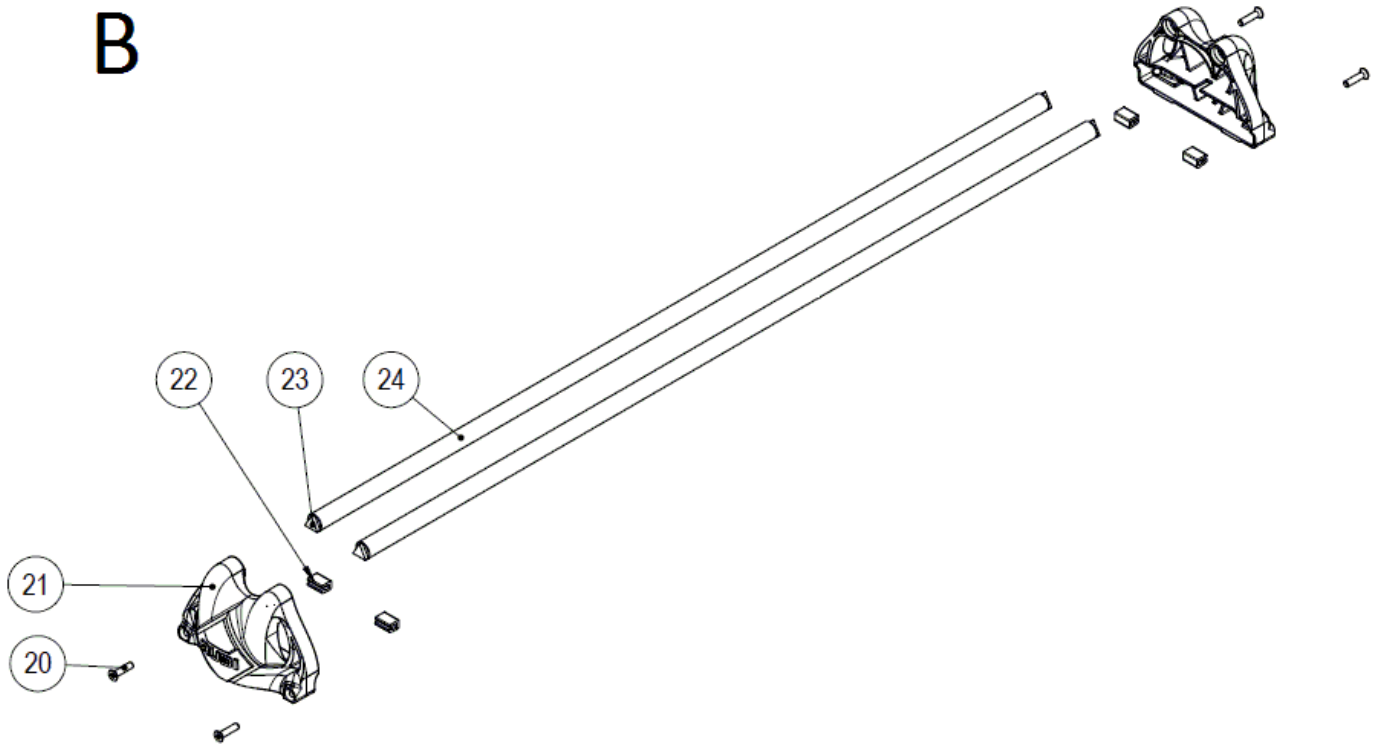
We reserve the right to introduce any technical modification without previous notice

A



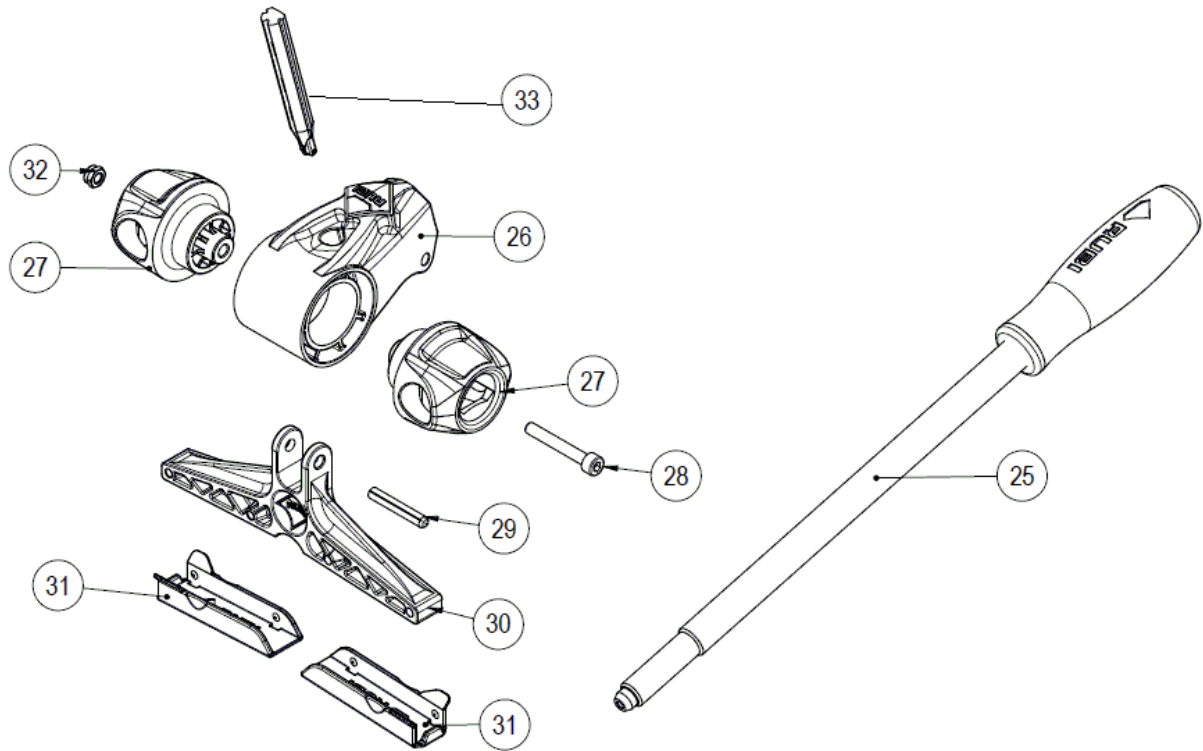
Part-list	ES	EN	Prod.	
1	13436 1	SUPLEMENTO 45° V2	45° SUPPLEMENT V2	
2	17017 1	POMO M6X25 ROJO	RED KNOB SET M6X25	
3	45038 1	ARAND DIN 9021 A6,4 ZN	WASHER DIN 9021 A6,4 ZP	
4	14685 1	TOPE LATERAL ALUM.SPEED-42-N V3	LATERAL STOP ALUMIN.SPEED-42-N V3	
6	18306 2	TORN ISO 7380 M6X12 8.8 ZN	SCREW ISO 7380 M6X12 8.8 ZP	
7	12773 1	ESCUADRA FAST-65/85 V2	SQUARE FAST-65/85 V2	
8	56124 2	TUERCA DIN 557 M6 CUADRADA CL8 ZN	SQUARE NUT DIN 557 M6 CL8 ZP	
9	19698 2	BRAZO IZQUIERDO FAST-85	LEFT ARM CUTTER FAST-85	
10	19699 2	BRAZO DERECHO FAST-85	RIGHT ARM CUTTER FAST-85	
11	12675 1	BASE FAST-85	BASE FAST-85	13939, 13941
11	12634 1	BASE FAST-65	BASE FAST-65	13932, 13940
12	12637 1	GOMA FAST-65	RUBBER FAST-65	13932, 13940
12	12677 1	GOMA FAST-85	RUBBER FAST-85	13939, 13941
13	12691 1	GOMA FAST-65 SERIGRAFIADA	RUBBER FAST-65 PRINTED	13932, 13940
13	12692 1	GOMA FAST-85 SERIGRAFIADA	RUBBER FAST-85 PRINTED	13939, 13941
40	19751 1	TOPE LATERAL FAST	LATERAL STOP FAST	
41	12685 1	BOLSA DE TRANSPORTE C.FAST 65CM	CARRY BAG FAST 65CM	13932, 13940
41	12686 1	BOLSA DE TRANSPORTE C.FAST 85CM	CARRY BAG FAST 85CM	13939, 13941

B



Part-list	ES	EN	Prod.
20	19728 4	TORN DIN 7500-M M6X25 8.8 ZN TRILOB.	SCREW DIN 7500-M M6X25 8.8 ZP TRILOB.
21	12635 2	SOPORTE FAST-65/85	SUPPORT FAST-65/85
22	19354 4	PERFIL GOMA SOPORTE GUIAS MAXIMA	GUIDE SUPPORT RUBBER PROFILE MAXIMA
23	12693 2	TACO GOMA FAST	RUBBER STOPPER FAST
24	12676 2	GUIA Ø 18 L=968	13939, 13941
24	12636 2	GUIA Ø 18 L=768	13932, 13940

C



Part-list	ES	EN	Prod.	
25	12845 1	COM.MANGO FAST-85	HANDLE SET FAST-85	13939, 13941
25	12650 1	CJ.MANGO STAR MAX	ASSEMBLY HANDLE STAR MAX	13932, 13940
26	12624 1	PORTAHERRAM.STAR MAX	TOOLHOLDER STAR MAX	
27	12674 2	CORREDERA STAR Ø 18	SLIDER STAR DIA.18	
28	60503 1	TORN DIN 912 M5X35 6.8 ZN	SCREW DIN 912 M5X35 6.8 ZP	
29	12628 1	PASADOR DIN 1473 5X32	BREAKER SHAFT DIN 1473 5X32	
30	14629 1	PISADOR SPEED-62 N V2	SPEED-62 N BREAKING FEET V2	13939, 13941
30	12626 1	PISADOR STAR MAX	BREAKER FEET STAR MAX	13932, 13940
31	14683 2	PROTECTOR CERAMICA REF:14629-14628 V2	TILE PROTECTOR SPEED-N/MAGNET V2	
32	40045 1	TUERCA DIN 985 M5 CL8 ZN AUTOBLOC	HEX LOCK NUT DIN 985 M5 CL8 ZP	
33	1945 1	RODEL Ø 6 MM	CARBIDE SCORING WHEEL 1/4" (6 mm.)	