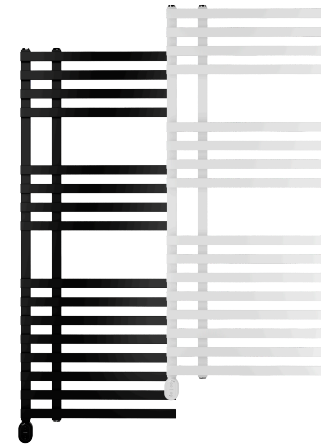


# VENEZIA OVAL WIFI

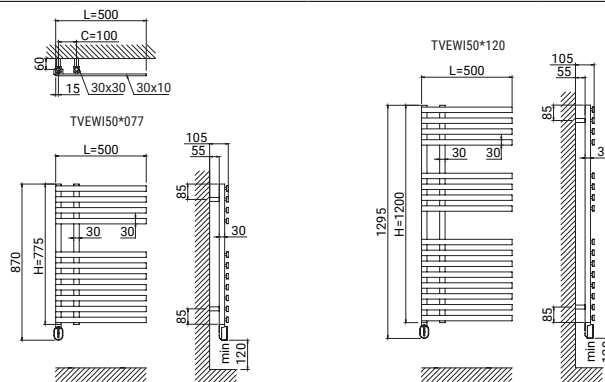
## ELECTRIC TOWEL RAIL WITH THERMAL FLUID

- High-quality ST12 steel body
- Optimum Flux tech: glycol/water high heat transfer thermal fluid
- Wall-mounted with easy installation: includes wall brackets, template & manual
- Touch control panel with TFT display
- Integrated WiFi (compatible with 2.4 GHz) and smartphone control
- Control temperature, cost & consumption 24/7 from the Rointe Connect app
- Compatible with Amazon Alexa & Google Assistant
- Energy-saving functions: Open Windows, Hotel & User mode
- Boost function: 15, 30, 45, 60, 90 or 120 minutes at maximum power
- Works with renewable energy sources like solar/PV for sustainable heating
- Guarantee: 10 years body | 3 years electronics



MODEL	TVEWI50B077	TVEWI50B120	TVEWI50N077	TVEWI50N120
<b>TECHNICAL CHARACTERISTICS</b>				
Number of tubes	11	16	11	16
Nominal Power (W)	300	500	300	500
Voltage (V)	220-240	220-240	220-240	220-240
Frequency (Hz)	50	50	50	50
Current (A)	1.3	2.2	1.3	2.2
Finishes	White RAL 9016		Graphite textured	
<b>DIMENSIONS</b>				
Height (mm)	870	1,295	870	1,295
Width (mm)	500	500	500	500
Depth (mm)	50	50	50	50
Installed Depth (mm)	105	105	105	105
Weight (kg)	10.0	15.5	10.0	15.5
Heats Room Size (m <sup>2</sup> )	up to 3	up to 5	up to 3	up to 5

### DIAGRAM



### MATERIALS

Body	Steel ST12
Control Panel / End Casing	Fire-proof PC/ABS (non yellowing)
Interior	High heat transfer thermal fluid
Heating Technology	Optimum Flux

### ELECTRONICS

Battery	Supercap (up to 7 days of programming storage)
Electronic Components	SMD
Energy Control Element	Relay
Temperature Sensor	NTC High Precision $\pm 0.1^\circ\text{C}$
Cable Length	1.4 m
Plug	Not included

# VENEZIA OVAL WIFI

ELECTRIC TOWEL RAIL WITH THERMAL FLUID

MODEL	TVEWI50B077	TVEWI50B120	TVEWI50N077	TVEWI50N120
<b>SAFETY</b>				
Safety Thermostat & Overheat Detection			✓	
IP Rating			IP44	
Protection Grade			Class II	
<b>TEMPERATURE</b>				
Manual Adjust Temperature		7°C, 15°C, 18°C, 21°C, 24°C, 27°C, 30°C		
Temperature modes		Off, Anti-Frost, Eco, Comfort		
Anti-Frost Temperature		7°C		
Eco Range Temperature		15 to 18°C		
Comfort Range Temperature		21 to 30°C		
Ambient Temperature Stability		-		
<b>ENERGY SAVING TECHNOLOGIES &amp; FUNCTIONS</b>				
Energy Control Technology			-	
Programming		24/7 (only via heating app control)		
Preset Heating Programs		4 (only via heating app control)		
Adaptive Start		✓ (only via heating app control)		
Open Windows		✓ (only via heating app control)		
User mode		✓ (only via heating app control)		
Hotel mode		✓ (only via heating app control)		
Pilot Wire		Only when specifically ordered		
Programming modes		Manual/Automatic (only via heating app control)		
Consumption Indicator			-	
<b>CONTROLS &amp; INTERFACE</b>				
Operation Via Rointe Heating App			✓	
Operation Via Remote Control			-	
Operation Via Control Panel			✓	
Screen		LED with 7 indicators		
Interactive Menus			-	
Control Panel Lock		Via control panel		
Remote Control Lock		Via heating app control		
Keypad		Touch Control (4 Buttons)		
<b>WIFI CONTROL &amp; TECHNOLOGIES</b>				
Built-In WiFi (2.4 GHz)			✓	
WiFi Direct <sup>1</sup>			✓	
Rointe Heating App Control			✓	
Rointe Heating App Platforms		Android, iOS and Web		
Works with Amazon Alexa & Google Assistant			✓	
Control by Geolocation			✓	
True Real Power Consumption meter			✓	
Cost & Consumption control			✓	
Customisable Screen Colour			-	
Comfort Index <sup>2</sup>			✓	
AIH System <sup>2</sup>			✓	
<b>INSTALLATION</b>				
Mounting			Wall	
Direction			Vertical	
Supplied With		Cable, Installation Kit (template, brackets, screws), User Manual		
<b>PACKAGING INFORMATION</b>				
Height (mm)	980	1,380	980	1,380
Width (mm)	550	550	550	550
Depth (mm)	100	100	100	100
Gross Weight (kg)	11.6	17.8	11.6	17.8

# VENEZIA OVAL WIFI

ELECTRIC TOWEL RAIL WITH THERMAL FLUID

MODEL	TVEWI50B077	TVEWI50B120	TVEWI50N077	TVEWI50N120
<b>GUARANTEE</b>				
Steel Body Guarantee			10 years	
Electronic Components Guarantee			3 years	
<b>APPROVALS, CERTIFICATIONS &amp; CONFORMITIES</b>				
CE			✓	
UKCA			✓	
NF			-	
RoHS			✓	
ERP Ready - LOT20			✓	
ETIM Class			EC003624	
<b>COMPATIBLE ACCESSORIES</b>				
Racks			✓	
Hooks/Hangers			✓	
Remote Control (Infrared)			-	

1) Compatible with 2.4 GHz. No need for gateways or other connections. 2) Available from Q3/Q4 2023.

Available  
Finishes/Colours



White RAL 9016



Graphite textured

