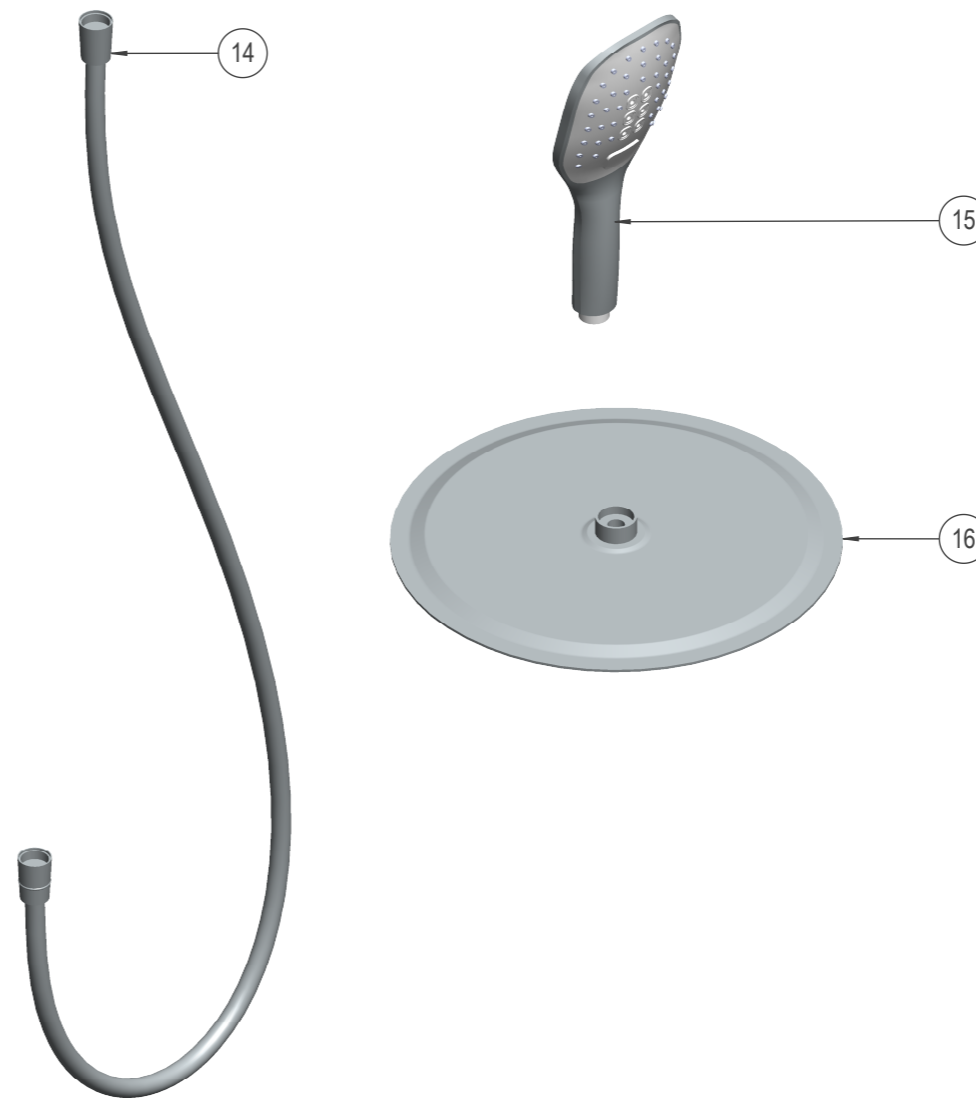
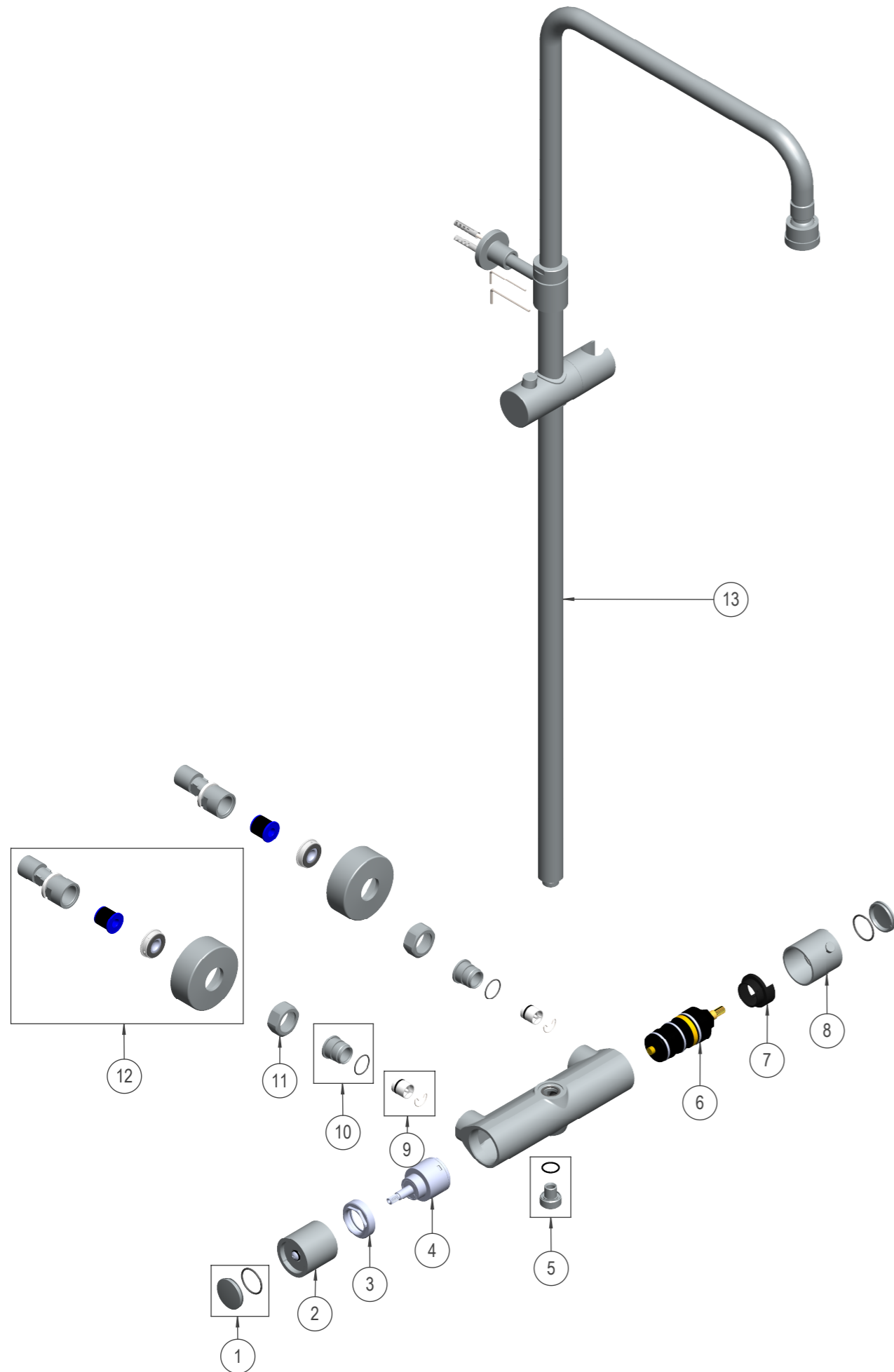


16	255525	RM300 SHOWER HEAD 2mm OF 300mm
15	99Z302621	4913 K3 3 FUNCTION SEMISQUARE HANDSHOWER
14	99Z300775	2472C PVC SPIRAL CHROME G1/2"--G1/2" FLEXIBLE HOSE 1.75m ANTITWIST
13	AAZ302627	DN130D SPOUT AJUSTABLE, WITHOUT DIVERter Ø24
12	AAZ302187	1326NF WALL CYLINDRICAL COVER + ECCENTRIC WITH SILENCER
11	160220	T 3/4. SIMPLE NUT CHROMED
10	AAZ302211	AGTI2 SREW SEAT TERMOSTATIC WITH LEFT THREAD
9	181680	ARD 15 CHECK VALVE FOR SHOWER Ø15
8	AAZ302637	2151 CHROME HANDLE RS TEMPERATURE URBAN CHIC
7	261920	ALT5 RING BLOCK TEMPERATURE BLAUTHERM
6	AAZ302240	1703T THERMOSTATIC CARTRIDGE TERMOTECH
5	AAZ302649	RD10M SHOWER CONNECTOR M12-G1/2 TERMOTECH
4	210849	4000 THERMO DIVERter CARTRIDGE Ø35
3	AAZ303018	TSC358 NICKEL PLATED NUT FOR Ø35 DIVERter CARTRIDGE
2	AAZ302602	2157 CHROME HANDLE SHOWER HEAD-SHOWER URBAN CHIC
1	201129	3761 SET HANDLE WHEEL COVER NEUTRAL + O-RING
Nº Reference		Denomination



Ramon Soler®

**215401 RM300
(211201S+DN130D+RM300+4913K3+
2472C)**

Drawn: C. Rosas	Approved: J. Romero	21D302427
--------------------	------------------------	-----------