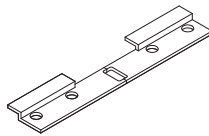


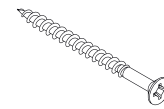
A (x1)



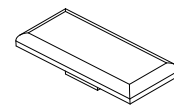
B (x4)



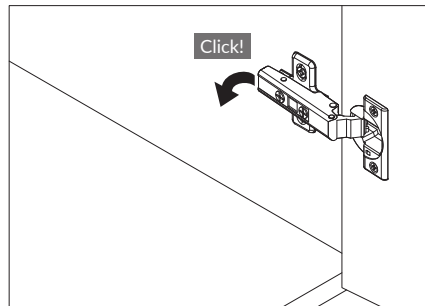
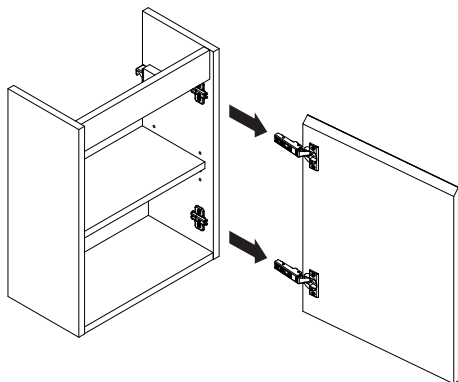
C (x4)



D (x2)

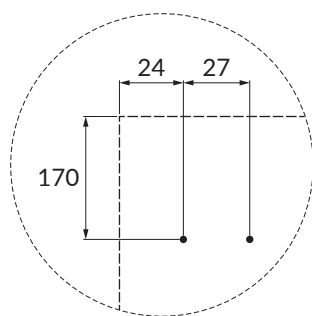


1

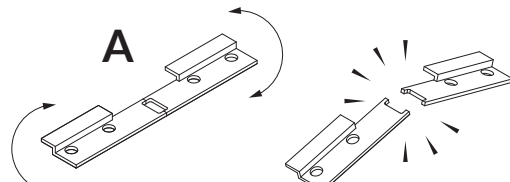
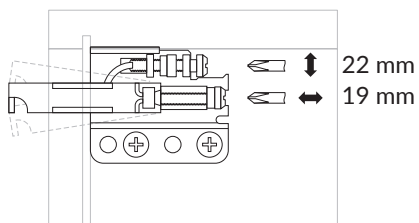
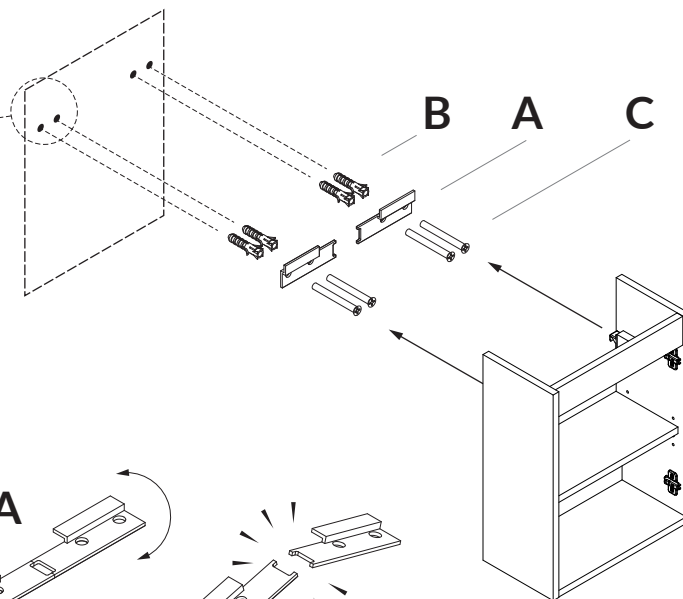
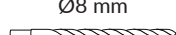


Removal

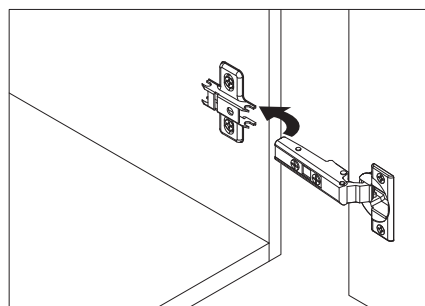
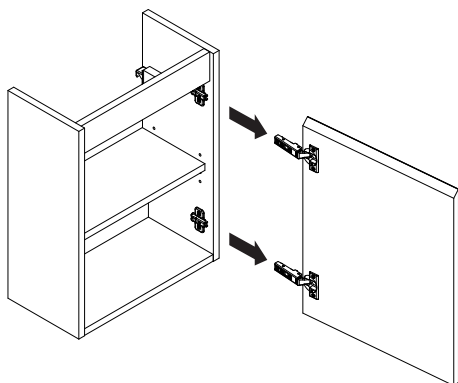
2



Ø8 mm

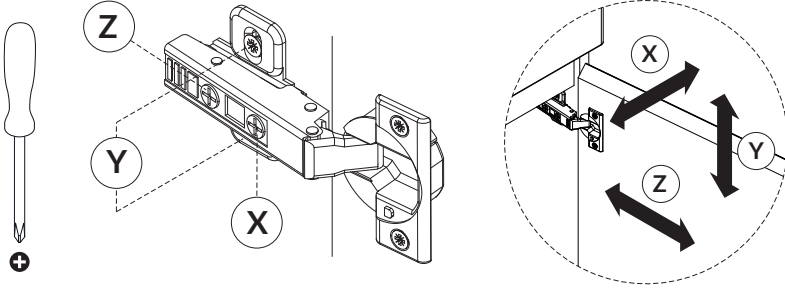


3

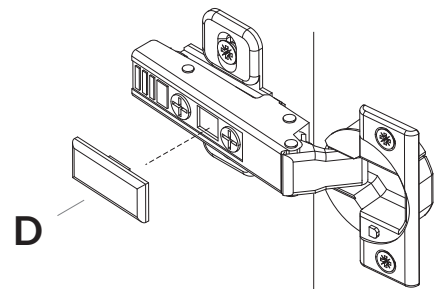


Assembly

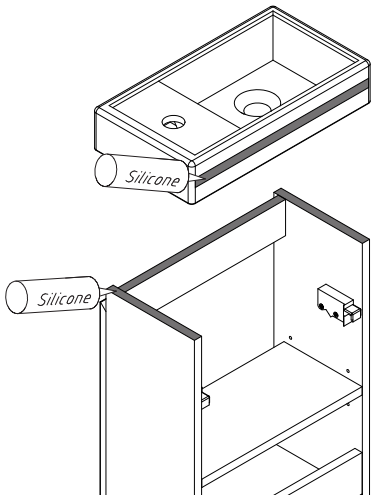
4



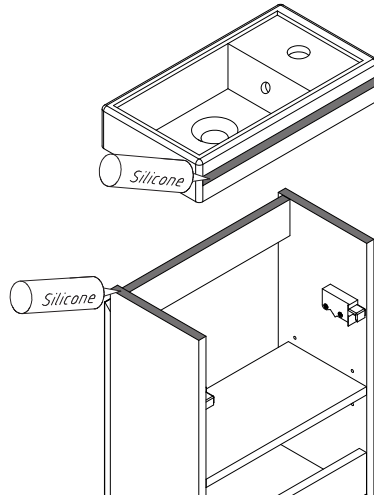
5



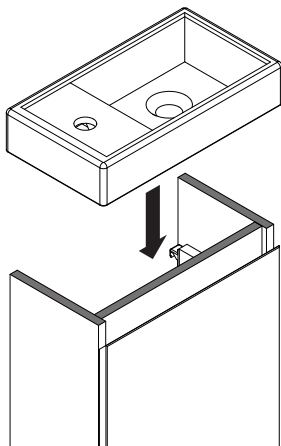
6 A



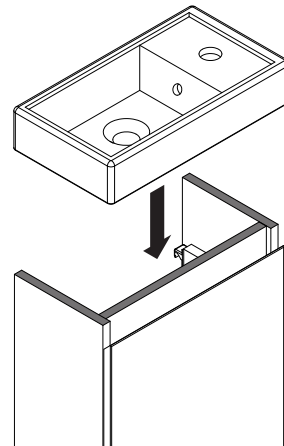
B



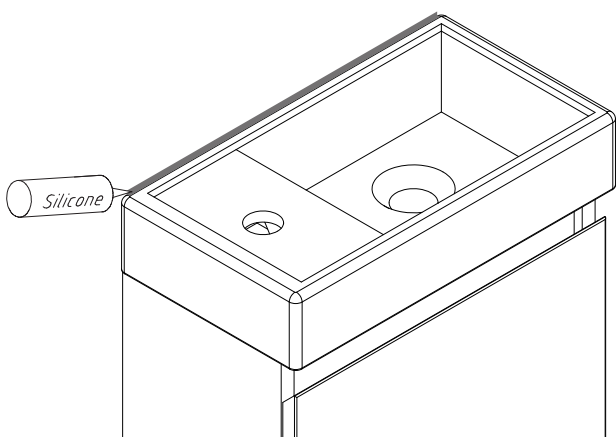
7 A



B



8 A



B

