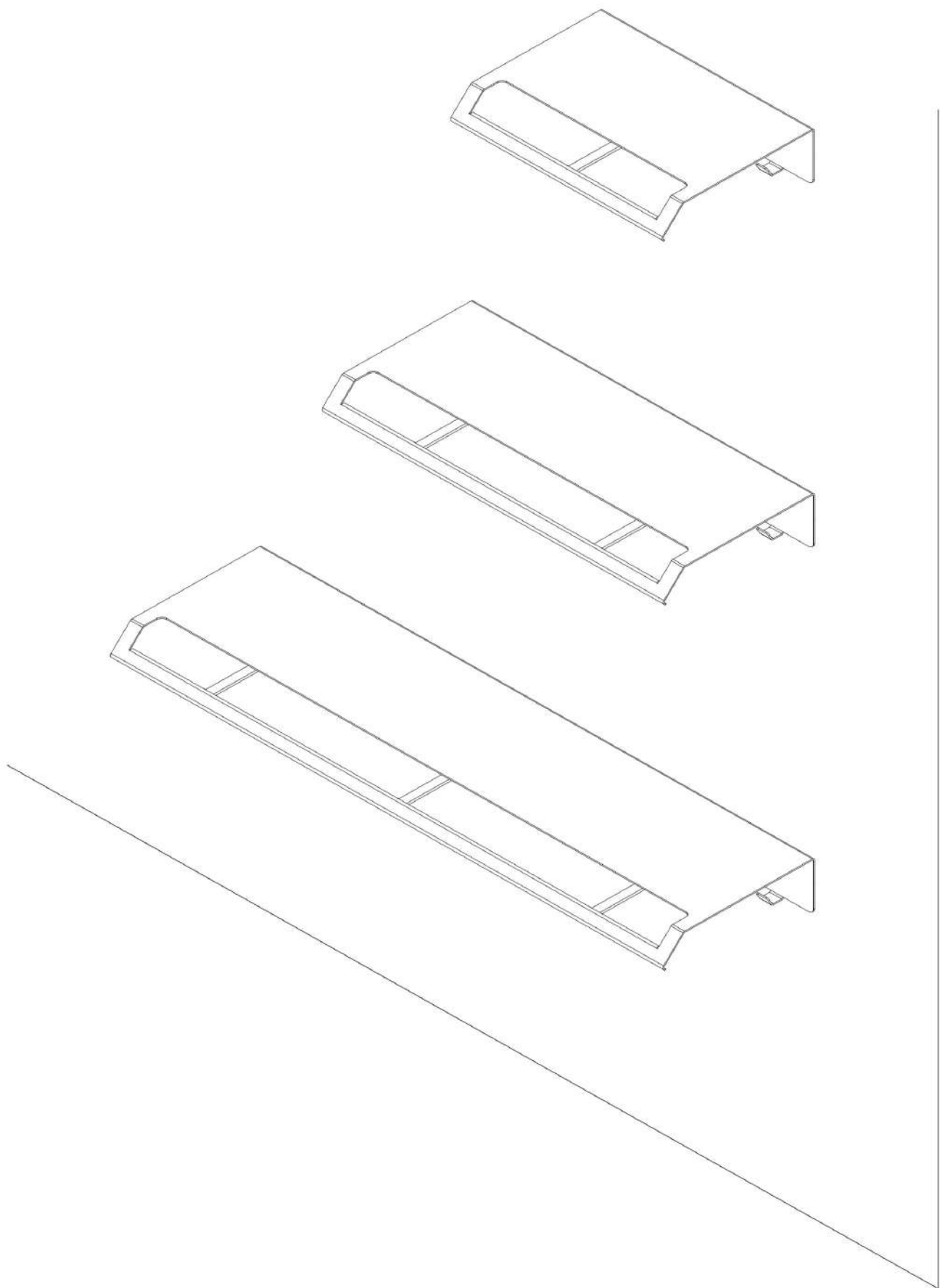

coat rack

assembly manual



coat rack

assembly manual

2-3x



2-3x

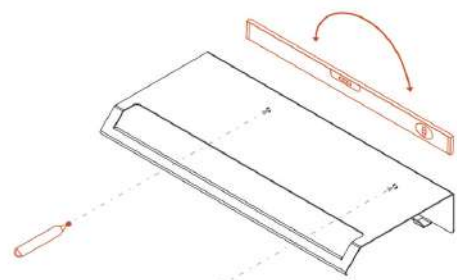


For installation, use expansion plug suitable for wall construction.

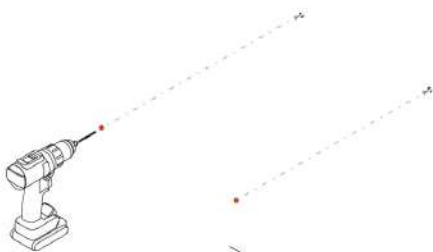
Not recommended for plaster walls.

Max. load 15 kg

1.

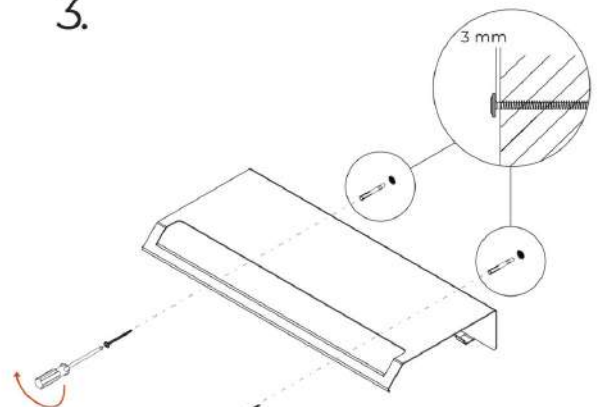


2.



Drill: \varnothing 6mm
Hole depth: min. 70mm

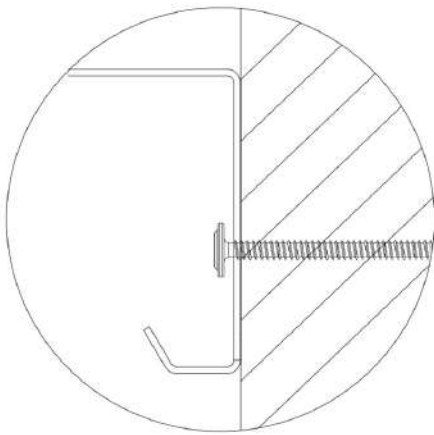
3.



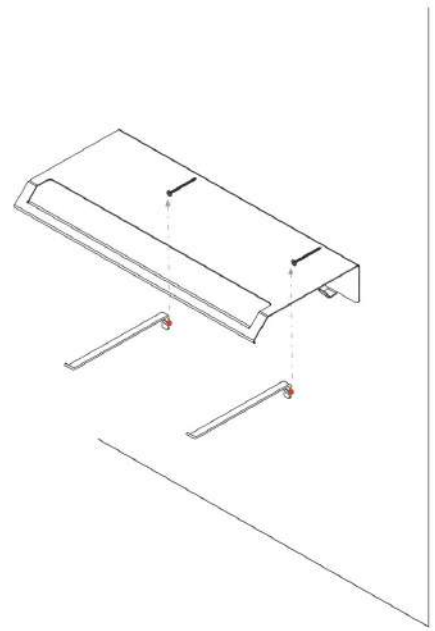
coat rack

assembly manual

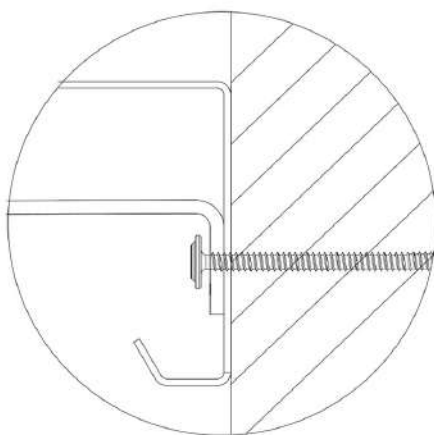
4.



5.



6.



7.

