

Wedge-base

LS Compact™
LS Classic™
LS Stone™

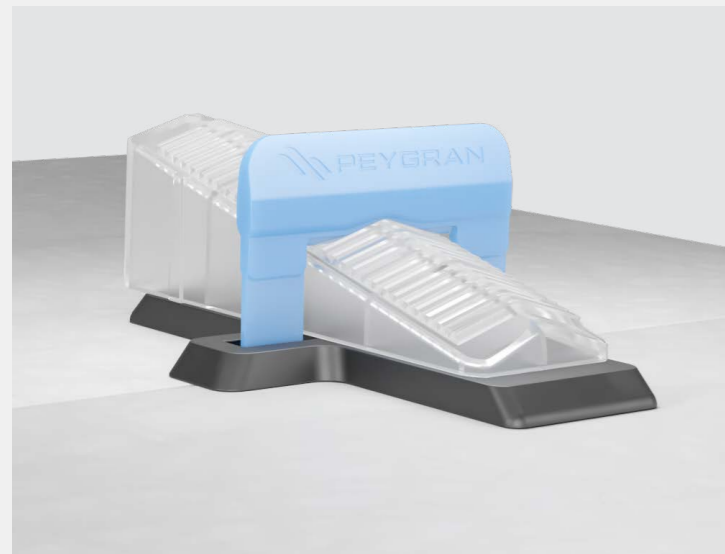


When do you need to use the supplement?

mm cerámica / tile / épaisseur

| | | | | | | | | | | | | | | | | | | | | | | | | | | | | |
|---|---|---|---|---|---|---|----|----|----|----|----|----|----|----|----|----|----|----|----|----|----|----|----|----|----|----|----|----|
| 3 | 4 | 5 | 6 | 7 | 8 | 9 | 10 | 11 | 12 | 13 | 14 | 15 | 16 | 17 | 18 | 19 | 20 | 20 | 21 | 22 | 23 | 24 | 25 | 26 | 27 | 28 | 29 | 30 |
|---|---|---|---|---|---|---|----|----|----|----|----|----|----|----|----|----|----|----|----|----|----|----|----|----|----|----|----|----|

| | | | |
|--|-----------------------------|------------------------------|--------------|
| LS Classic / LS Compact + Wedge-base | LS Classic / LS Compact | LS Stone + Wedge-base | LS Stone |
|--|-----------------------------|------------------------------|--------------|

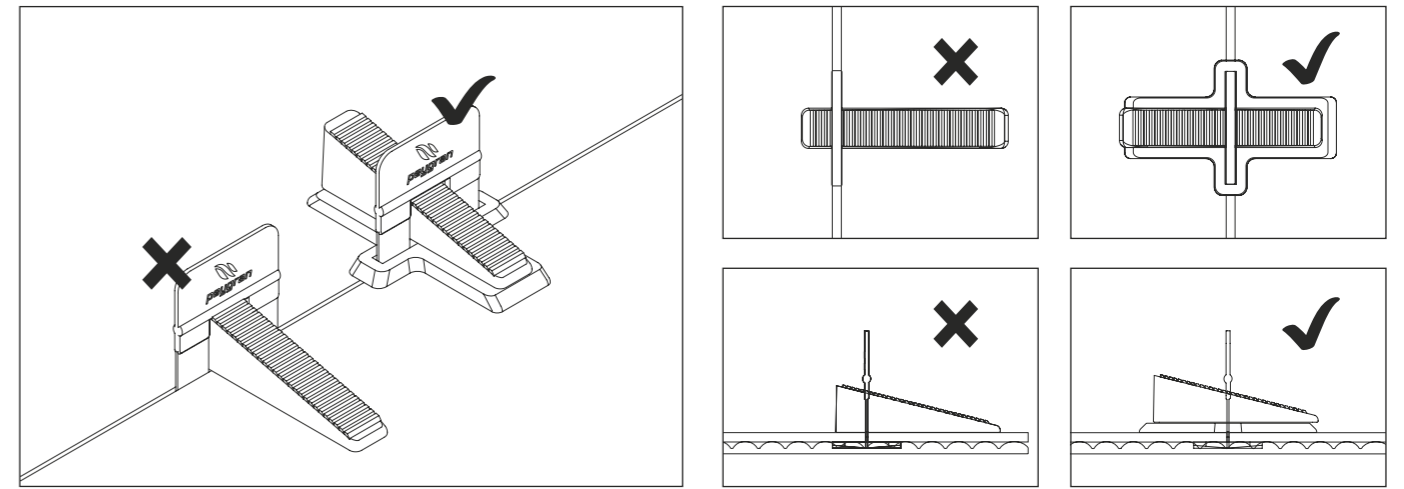


Wedge-bases have been made to extend the functionalities of our system allowing us to work with thicknesses from 3 to 5mm. Use it in thicknesses lower than 5 mm and in thicknesses from 16 to 20mm. Place the clips under the wedge, allowing the wedge to be centered and providing a larger support surface.

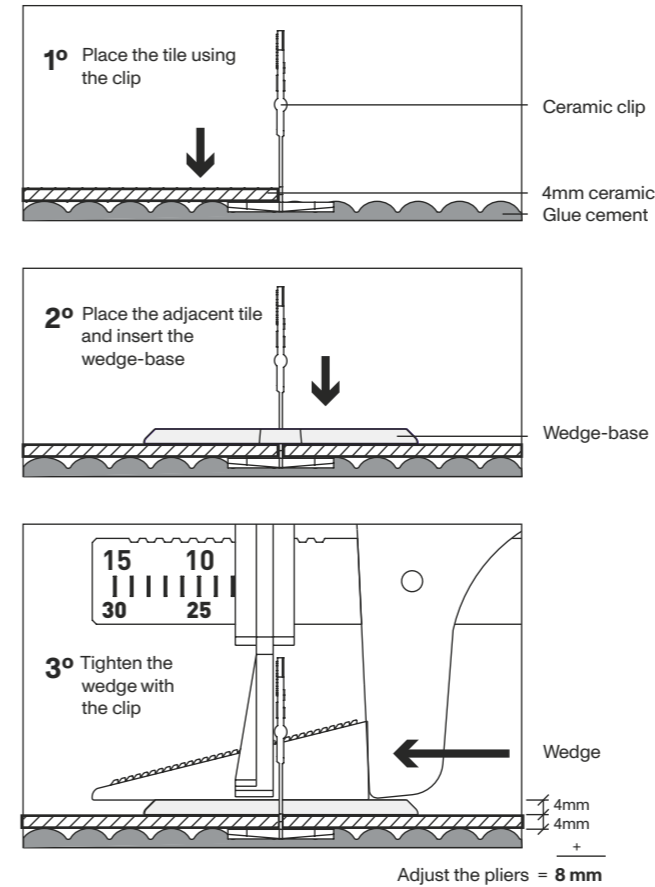
Essential in cladding as they are very delicate pieces. When using it on the tool scale bar, add 4 mm to the piece thickness. It is compatible with all our models of wedges.

| REF. | ARTICLE | PACKING | | | |
|-----------|------------------------------------|---------|-------------|-------|---------------|
| 03010700E | LSAccessories Wedge-Clip 100 units | | | | |
| | | 40 | 582×400×385 | 17,44 | 8425402085318 |

Installation



SLIM format (3 to 5 mm) 4 mm ceramic



STONE format (16 to 19 mm) 16 mm stone

