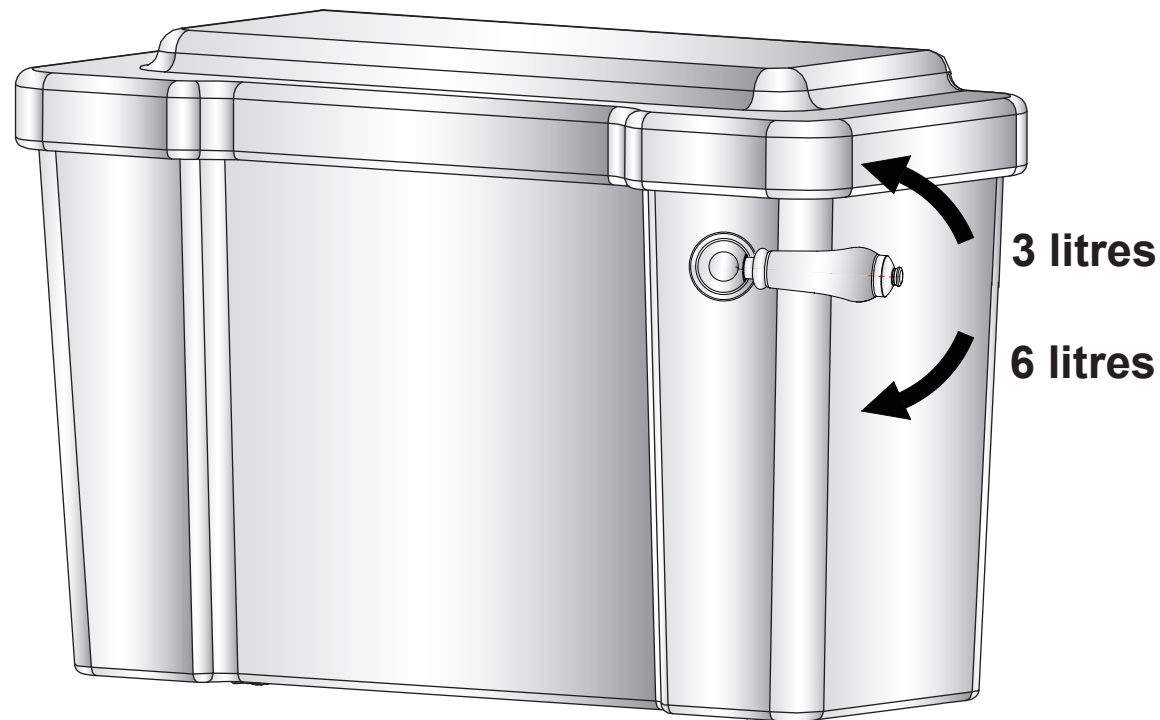
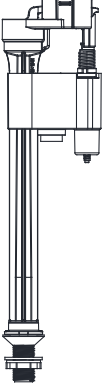
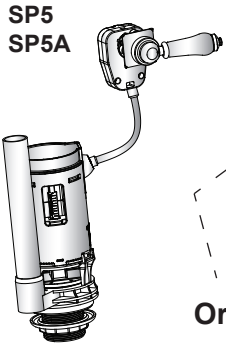
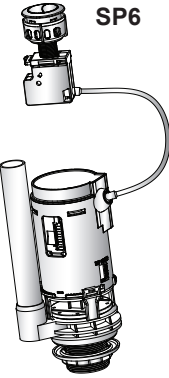
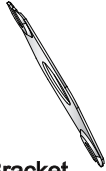
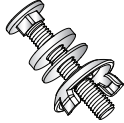
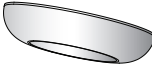







All WC's come with a 3/6 litre flush as standard which can be reduced to a 2.5/4.5 litre flush for the slimline cisterns
For lever flush cistern fittings, on the Close Coupled, Low Level and Medium Level WC's you must press the lever down lightly for the 6 litre flush and lightly lift the lever for the 3 litre flush.



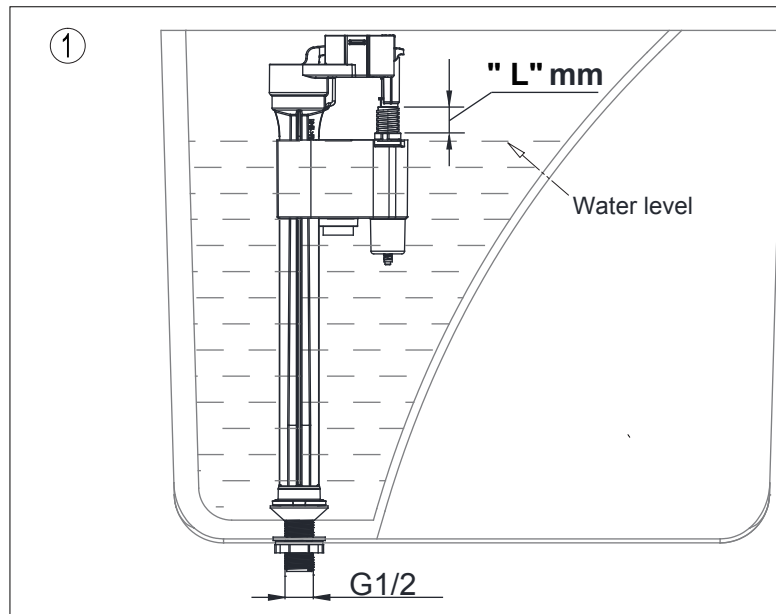
Please note that it is imperative that there are no loops or kinks in the yellow tube when installed and that the lever is not operated with excessive force as this will damage the cable inside the tube that lifts and lowers the flush valve causing the flush to fail beyond repair

Parts supplied:

						
Inlet Valve	Flush Valve	Or	Bracket	Bolt	Rubber Doughnut	Fixing Nut
1x	1x		1x	2x	1x	1x
						
			Lever	Plastic Washer	Cone Washer	Flush Cone
			1x	1x	1x	1x

- Please read these instructions carefully to avoid damage to the valves, and to ensure correct installation.
- Do not use bleach or bleach based cleaning products in the cistern, as these will cause damage to the seals.
- We cannot be held responsible or liable for any failure which results from the use of bleach based products.
- Water temperature range +2C to +45C.
- Water pressure 0.2 to 8 bar.

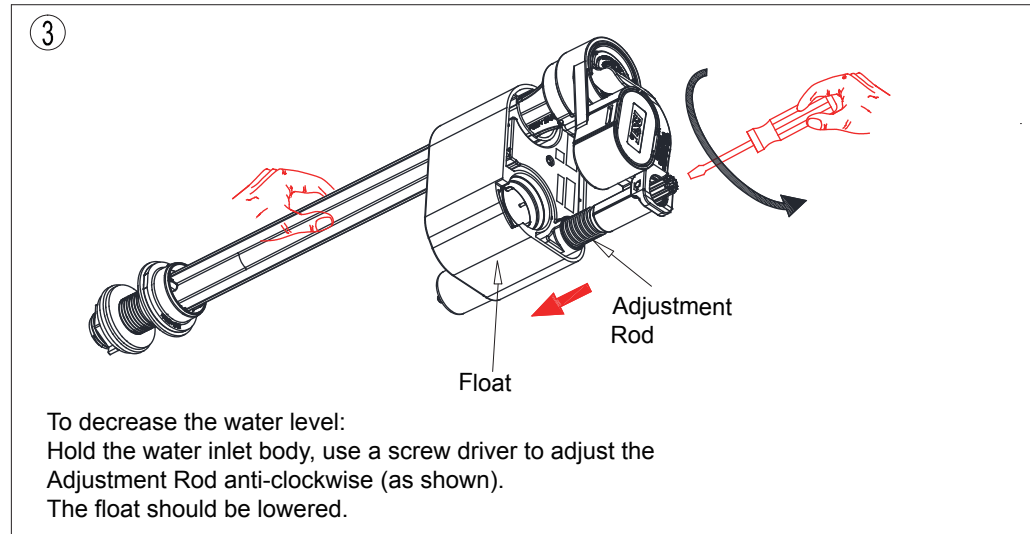
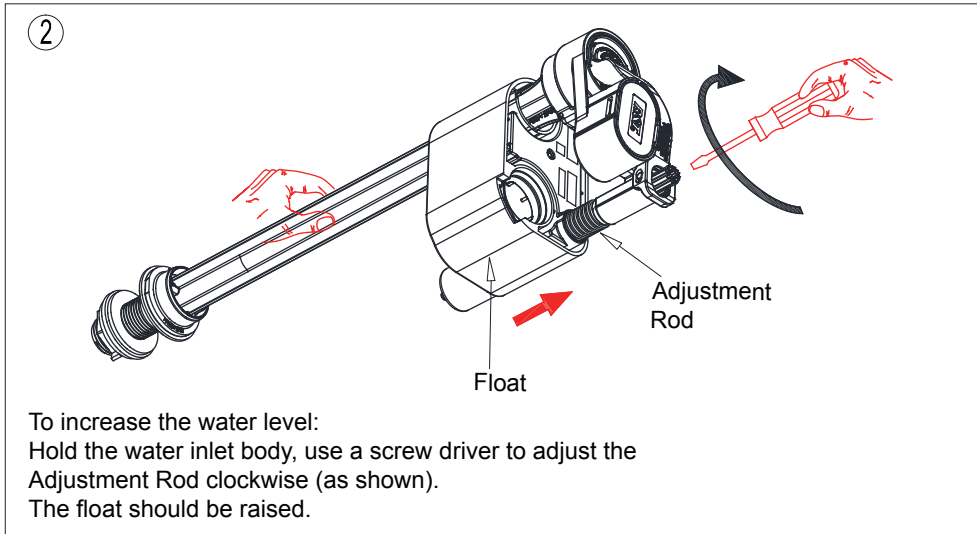
1: Inlet Valve scale and adjustment settings



Note:

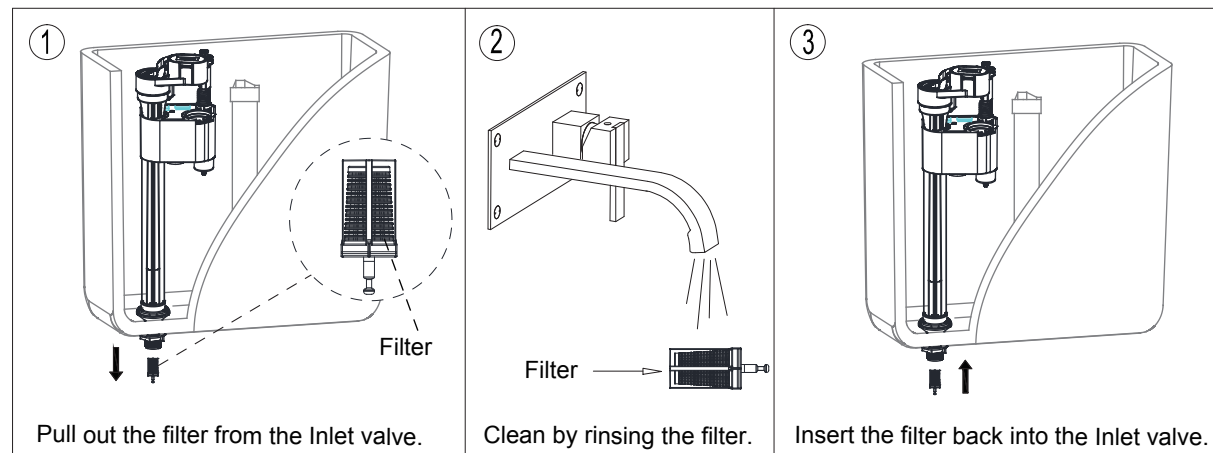
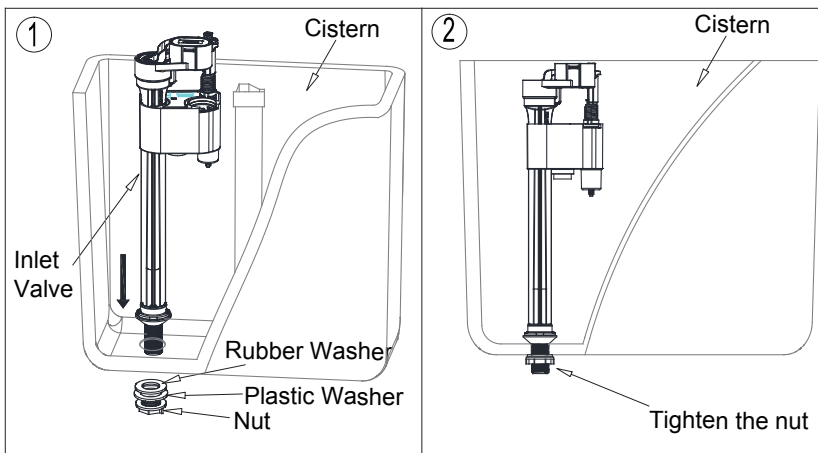
The inlet valve is preset for 6L full flush and 3L half flush.
For adjustment method, please refer to the page 2 diagram.

Cistern	L (mm)	
	6L full flush / 3L half flush	4.5L full flush / 2.6L half flush
C1,C2	45	45
C3,C4	35	41



2: Inlet Valve installation

3: Filter cleaning (Please clean periodically)



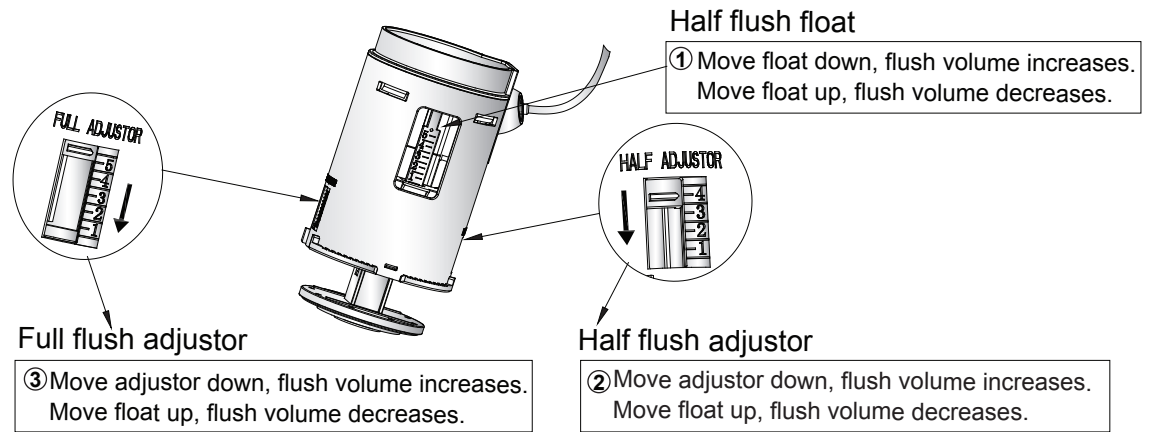
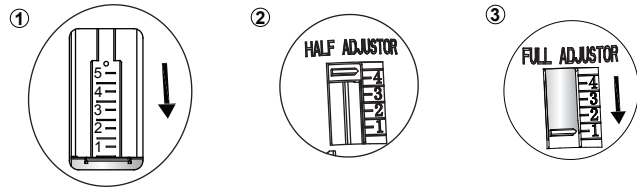
4: Inlet Valve trouble shooting

Problem	Reason	Solution
Incorrect water level	Incorrect adjustment.	Adjust the Water level correctly as per page 1 & 2.
Inlet Valve does not work	Water supply is closed.	Open the water supply
	The filter is blocked.	Clean the filter.
	The Stop Float has been over adjusted beyond its operational range.	Reconnect the Adjustment Rod, and adjust the water level as per page 1 & 2 .
Leakage	The Inlet Valve fixing nut has not been tightened.	Tighten the nut.

Flush Valve Installation And Problem Solving

1: Flush Valve scale and adjustment setting

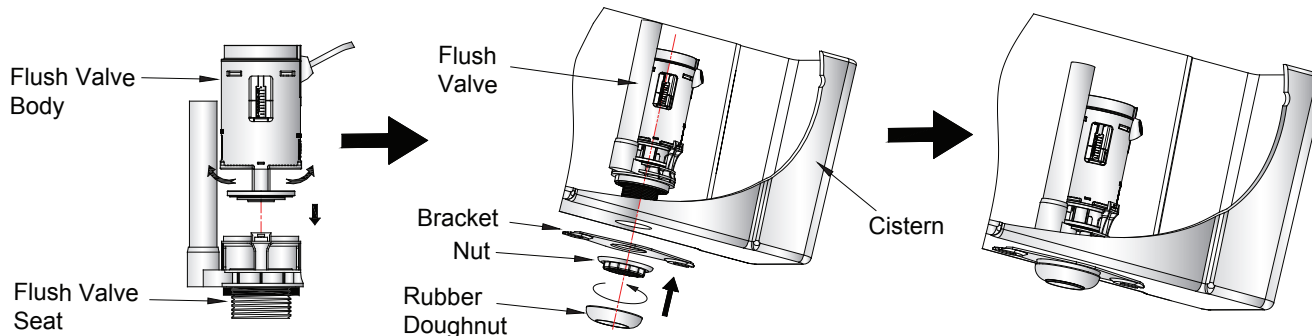
Note: The below diagram is for reference only. In this example, ① is set to 1, ② is set to 5, and ③ is set to 1.5. The flush valve can be adjusted to suit the particular cistern, please refer to below tables for the settings. For adjustment method, please refer to the adjustment setting on right side.



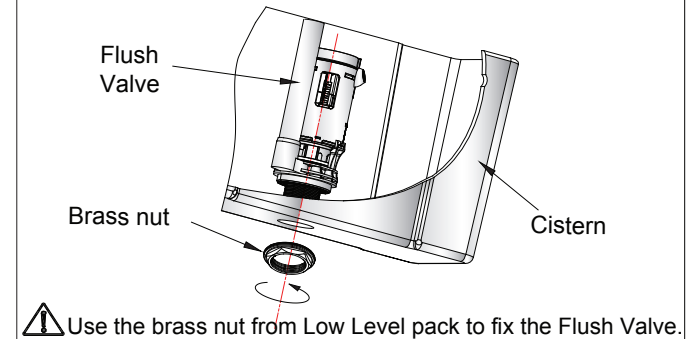
Cistern	Scale	6L full flush / 3L half flush	4.5L full flush / 2.6L half flush
C1,C2	① Half Flush Float	1	4.5
	② Half Flush Adjustor	5	5
	③ Full Flush Adjustor	1.5	6
C3,C4	① Half Flush Float	1	4.5
	② Half Flush Adjustor	5	5
	③ Full Flush Adjustor	1.5	6

2: Flush Valve installation

Close Coupled Flush Valve Installation



Low Level Flush Valve Installation

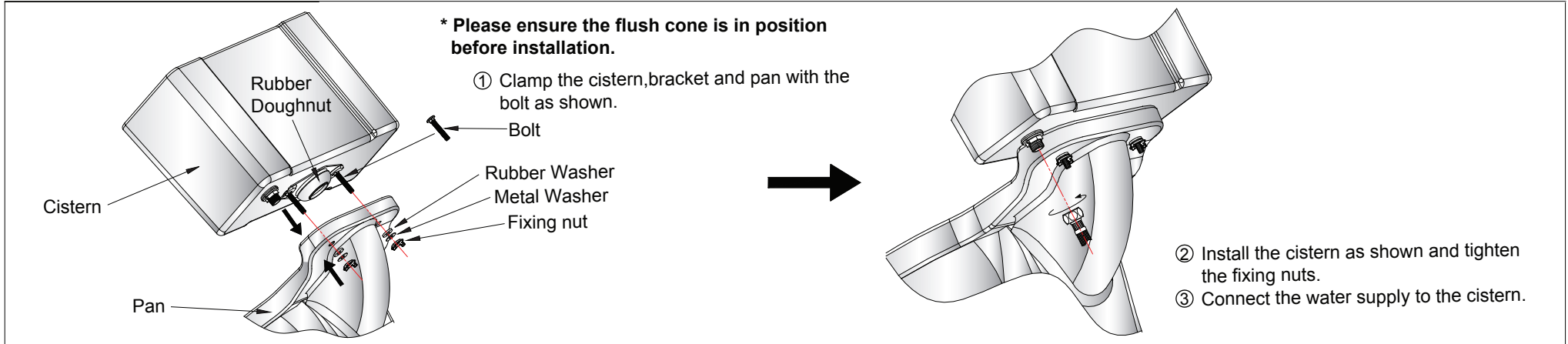


3: Flush Valve trouble shooting

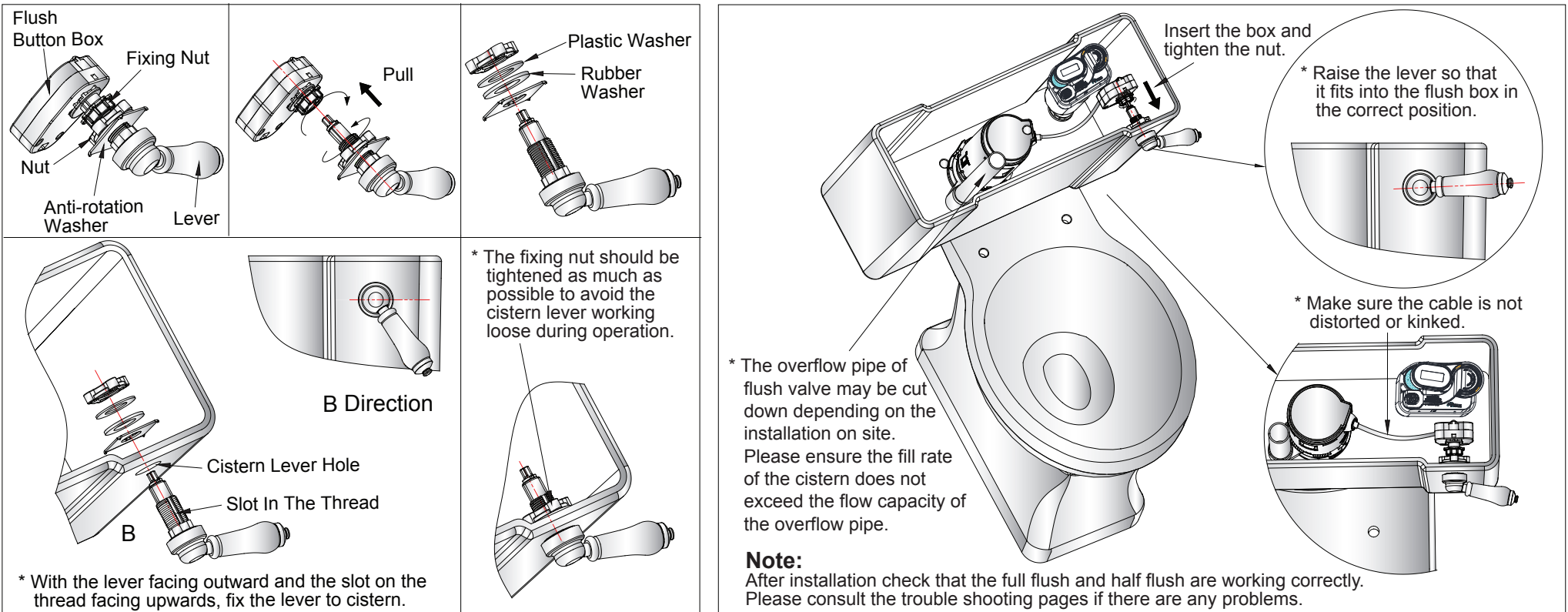
Problem	Reason	Solution
Leakage	1. Incorrect installation. 2. Flush valve seat does not fit flush valve body. 3. Flush valve body is stuck.	1. Install again according to the correct installation procedure. 2. Install again. 3. Disconnect and wash flush valve body.
No flush, low flush or half flush volume	Cable is distorted.	Remove kinks or sharp bends in the cable.
Half flush water level is too high or too low.	Water level is adjusted incorrectly.	Adjust water level.

Close Coupled Cistern & Flush Level or Button Installation

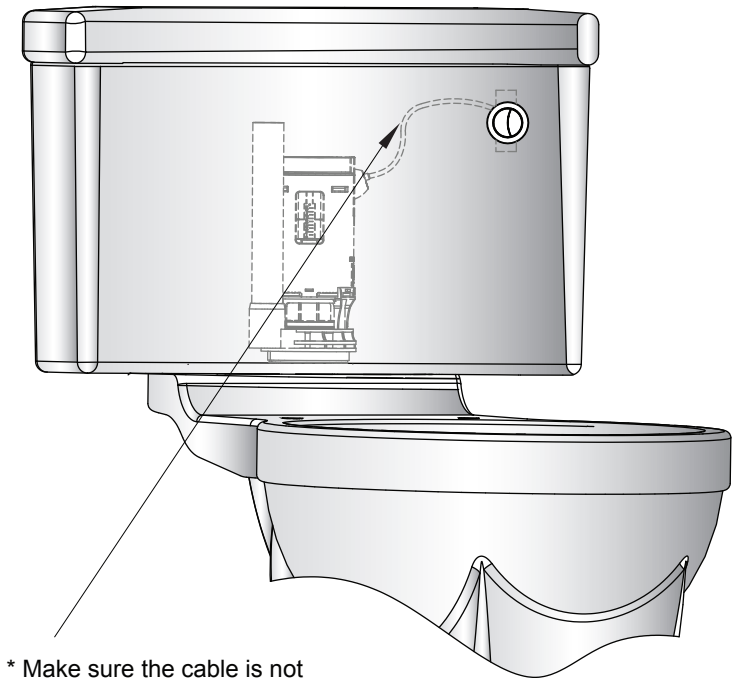
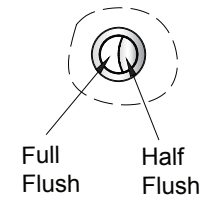
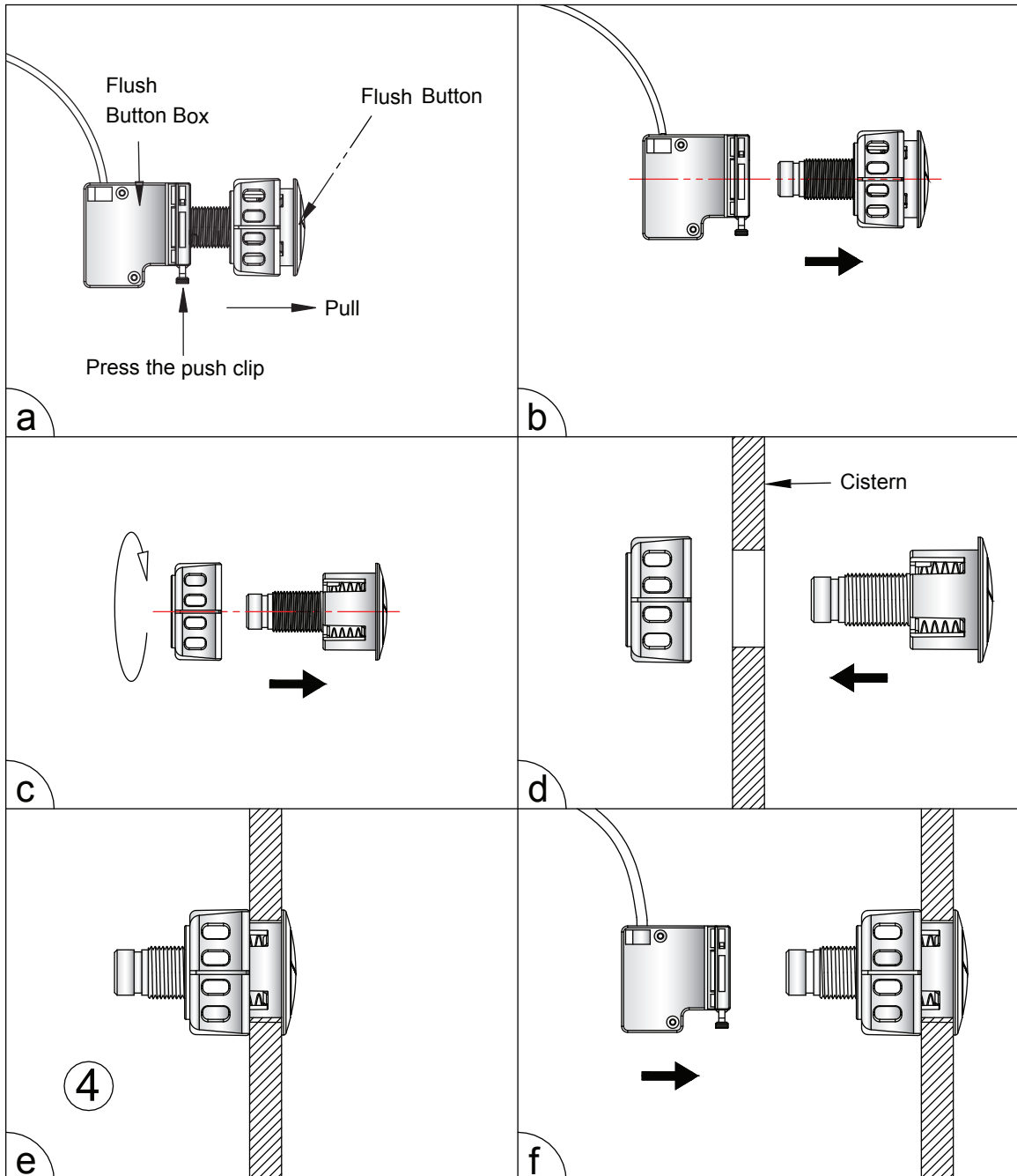
1: Install Close Coupled Cistern To Pan



2.1 Install Lever (SP5, SP5A)



2.2 Install The Flush Button (SP6)

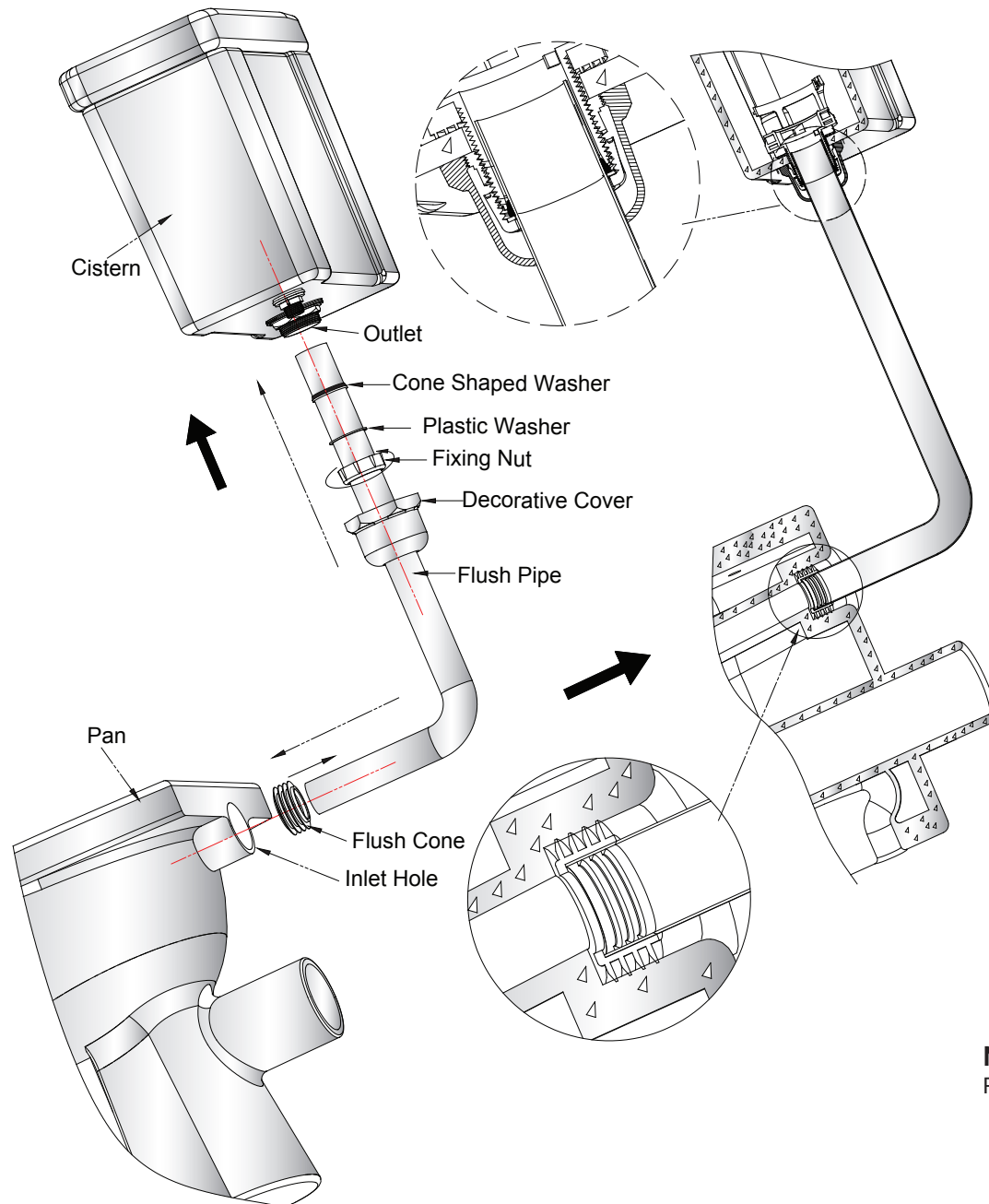


* Make sure the cable is not distorted or kinked.

Note:

After installation check that the full flush and half flush are working correctly. Please consult the trouble shooting pages if there are any problems.

Low Level Cistern Installation



Determine the exact location of the pan and cistern installation, then cut the Flush Pipe accordingly. Fit the Pipe into the cistern in the sequence shown in the diagram. Then insert the Flush Cone into the pan, followed by the Flush Pipe as shown in the diagram.

Note:
Please carefully check for leaks after installation.