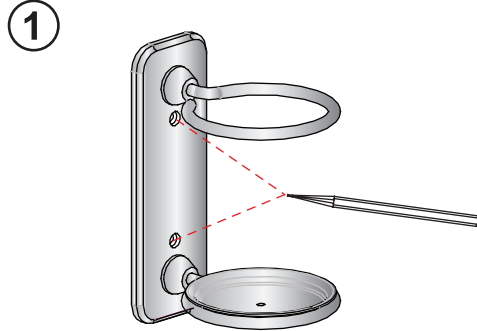
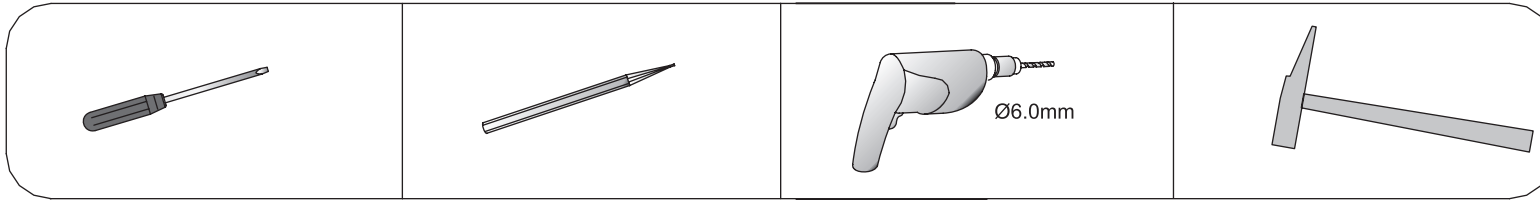
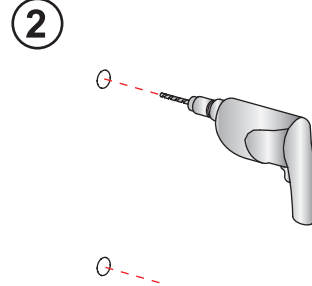


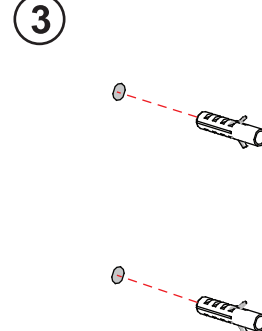
## Tools required:



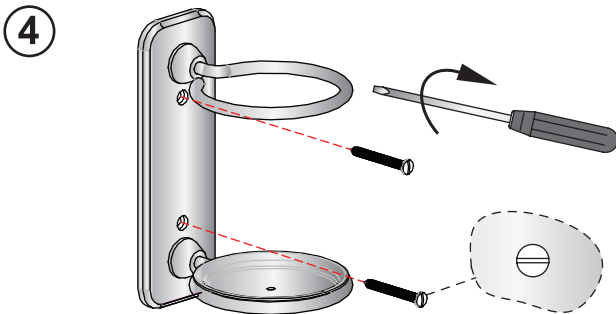
1 Determine the final installation position, mark the fixing hole positions in pencil.



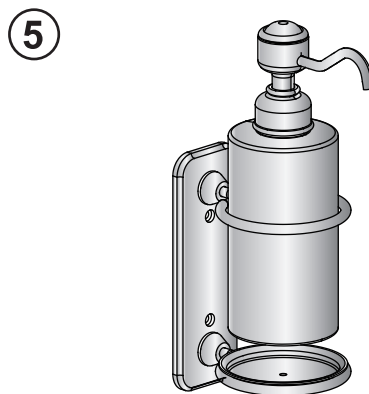
2 Using a 6mm drill bit, drill holes on the marked positions.



3 Insert the rawl plugs into the drilled holes.



4 Screw in the stainless steel screws to secure the base to the wall. Please ensure that the screw heads are parallel to the floor.



5 Insert the soap dispenser into the base.

**Suggest cleaning the product surface with cleanwater or soft detergent, and then dry with soft towel.**

**Please do not use any detergent containing hydrochloric acid or caustic chemicals.**

**Avoid scratching the surface with hard objects, and do not use a coarse cloth to wipe.**

**The product should be installed by a professional, following the recommended installation instructions.**

**If soap dispenser is blocked due to dried soap we recommend to remove plastic pipe, rinse under warm water and soak handle for a few hours underneath warm water. Re-install and prime using soap.**