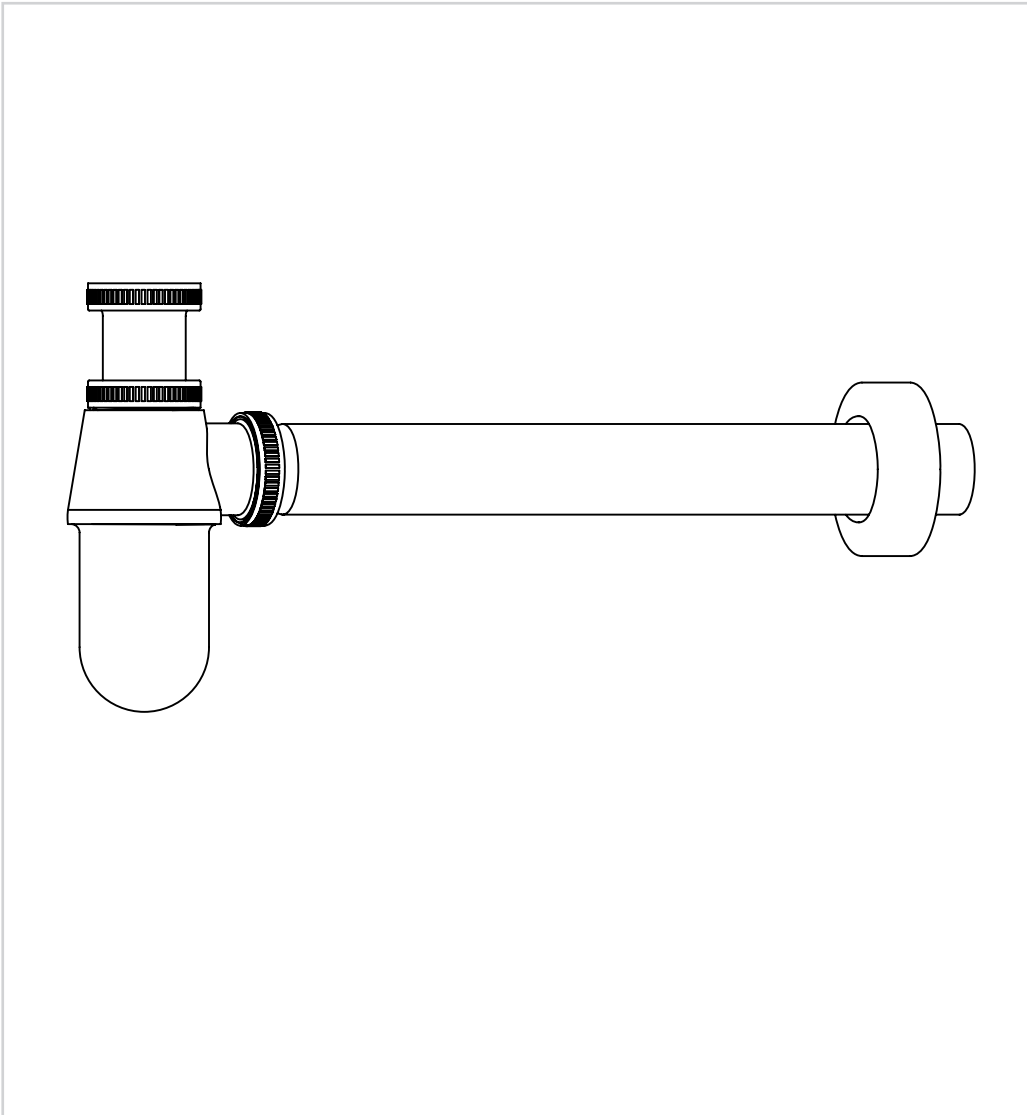


# TRAPS

## Round Bottom Basin Bottle Trap



**PRODUCT CODES:**

W14



### IMPORTANT INFORMATION BEFORE YOU START

**Please read carefully and keep this information for further reference.**

Thank you for buying a Burlington Product. To ensure that it works to its full potential, it needs to be fitted correctly.

Check the contents of the pack carefully before installation.

Bathroom Brands will not be held responsible for any de-fit/re-fit costs where faulty product has been fitted. If any fault is found with materials or workmanship, it must be reported immediately to the manufacturer. Remedial action will be taken, based on information received, on condition that:

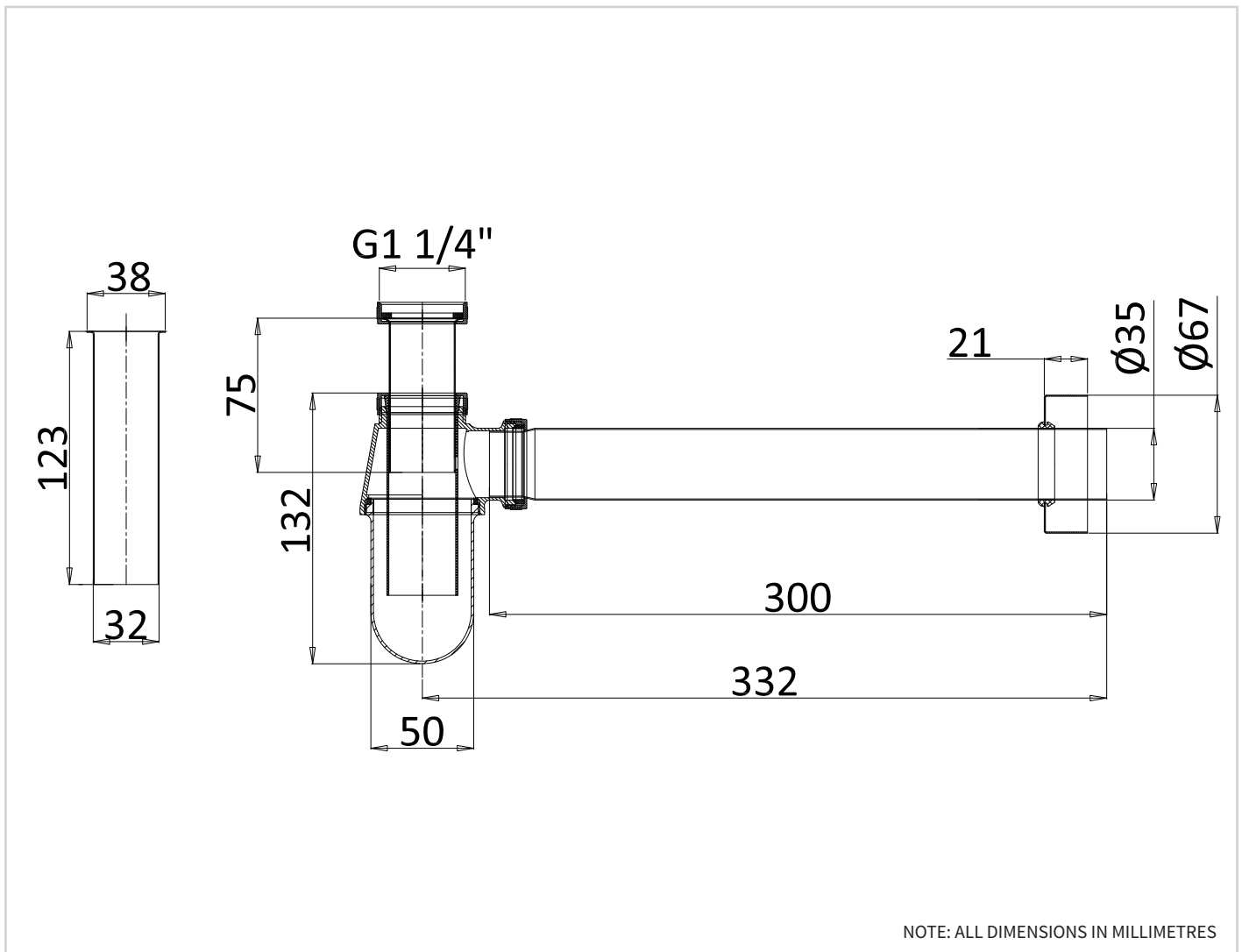
1. Full details are supplied to the manufacturer.
2. The product has not been modified or tampered with.

3. The manufacturer is informed of any damage/shortages prior to installation.

4. The product has not been installed, or attempts have been made to install.

We do not accept responsibility for any problems that may occur through incorrect installation. This product should only be installed by a suitably qualified plumber/installer. Should the installation be completed by a non-qualified person any product guarantee may be considered invalid. For a claim made under our warranty, written certification of your installer's qualifications may be required.

**DIMENSIONS**



**IMPORTANT INFORMATION**

**Please read carefully and keep this information for further reference.**

The product should be installed in compliance with the Water Regulations.

## **BEFORE YOU START**

### **Important Pre-Installation Notes**

Remove all packaging and check the fitting for damage before starting installation.

**Warning:** Before starting any installation please consider the following: before drilling into walls, check that there are no hidden electrical wires, cables or water supply pipes. This can be checked with the aid of an electronic detector.

If power tools are used do not forget to: -

Wear eye protection

Unplug equipment after use

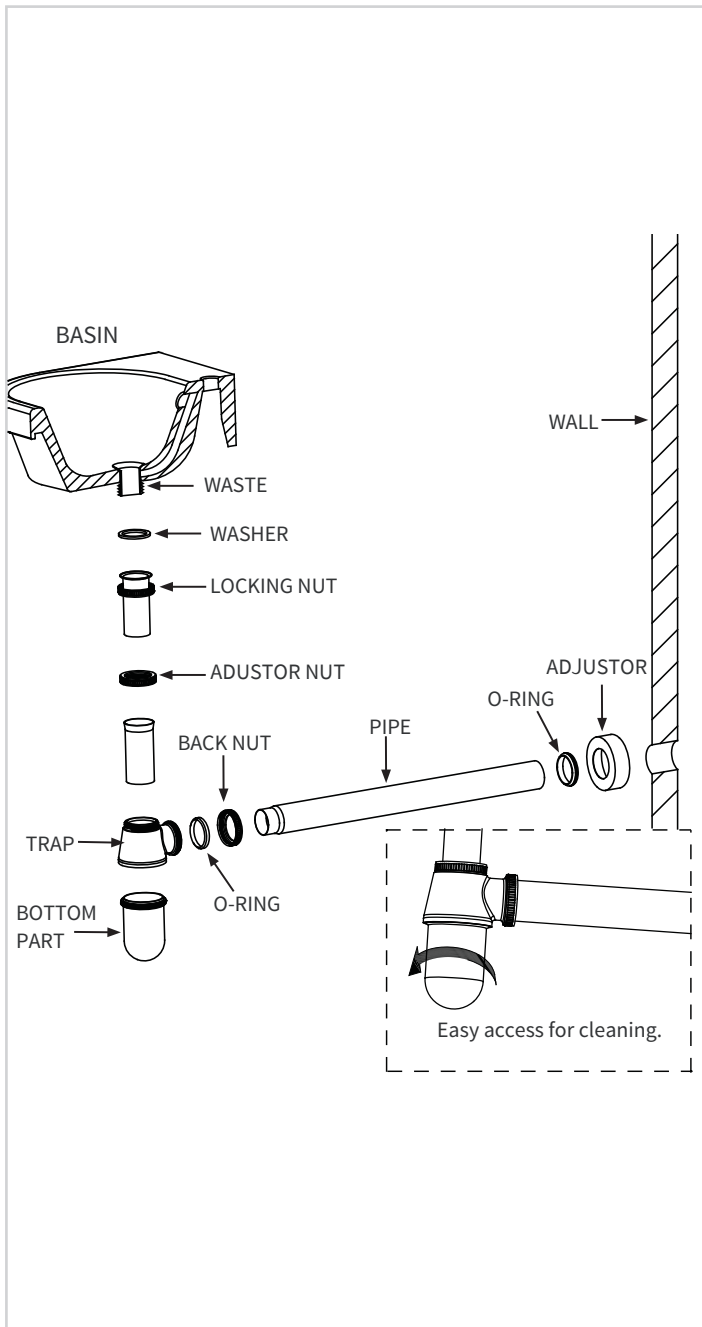
### **Important:**

Remember to turn off the mains water supply before connecting to any existing pipe work. Fitting isolating valves to the inlet feeds is recommended for ease of maintenance.

**Warning:** Before installing the new fitting it is essential that you thoroughly flush through the pipework in order to remove any remaining swarf, solder, etc. Failure to carry out this procedure could cause problems or damage to the workings of the fitting.

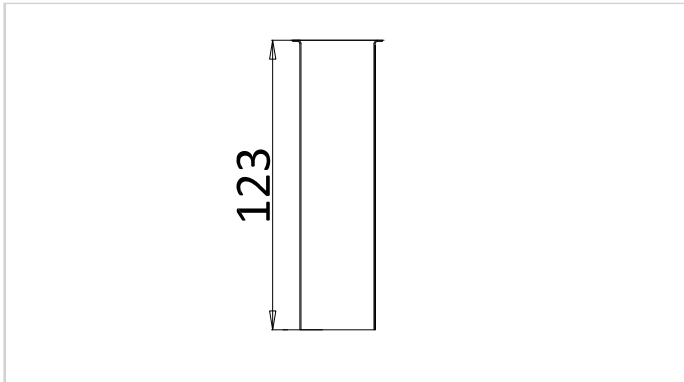
Take care when handling the 'flexible connecting pipes', do not bend, twist or crush them. Only tighten the pipes by hand. Do not crush or kink the shower hose, this could damage the hose and cause leaks.

## INSTALLATION



1. Lubricate the o-rings of adaptor with silicon based grease.
2. Cut the tube not supplied protruding through the wall to length required for adaptor to finish against wall.
3. Slide adaptor over the tube.
4. Place basin trap under basin waste and tighten locking nut to basin waste.
5. Loosen adjustor nut and adjust height of trap so that the back water exit is in position to allow for around 5 degree fall back to the wall , then tighten locking nut.
6. Cut pipe to length required to fit between the back of the basin trap and the adaptor.
7. Remove basin trap from basin waste.
8. Push and twist pipe fully into adaptor.
9. Loosen back nut and remove the o-ring. Then place this nut and o-ring over the end of pipe.
10. Slide the back water exit of the basin trap over the pipe, then slide back nut and o-ring into position and tighten.
11. Place the locking nut to the basin waste and tighten.
12. Check for leaks.

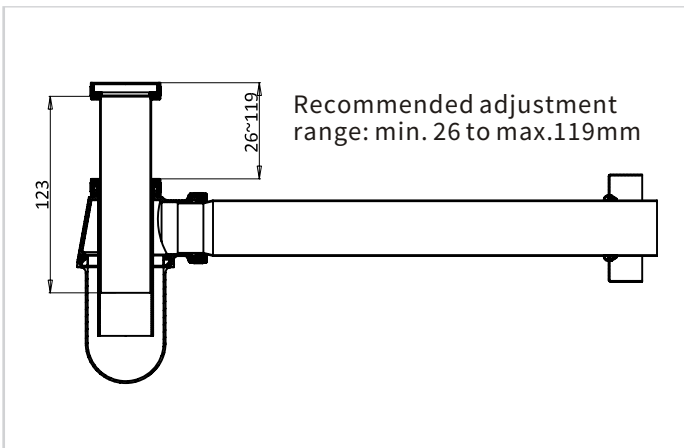
**INSTALLATION - EXTENDED ADJUSTABLE PIPE**



**NOTE:**

A longer pipe is supplied for onsite installation requires more adjustment.

Please follow the recommended adjustment range on the left.



## CARE & MAINTENANCE

### CLEANING THE PRODUCT

The material we use in our brassware is very durable, nevertheless care should be taken when cleaning them. They should be cleaned only with warm soapy water followed by rinsing with clean water and drying with a soft cloth. All finishes are vulnerable to acid attack and some strong substances such as household cleaners, disinfectants, denture cleaners, hairdyes, wine making, and photographic chemicals can cause the surface to go black or peel.

Note: Never use abrasive detergents or disinfectants or those containing alcohol, hydrochloric acid or phosphoric acid.