

ALPINIA

Washbasin tap

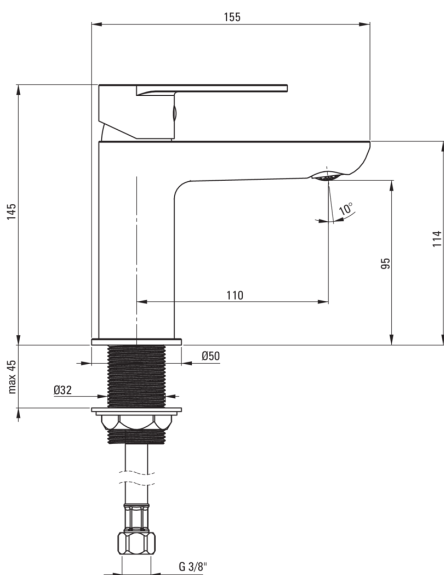


Product code: BGA_N20M

EAN: 5907650815365

Color: nero

Warranty [years]: 7



Mixer

| | |
|---------------------|----------------------|
| Finish | nero |
| Mixer type | single-handle, mixer |
| Installation method | standing |
| Flow class [l/min] | Z - 4-9 l/min |
| Acoustic group [db] | I ($x \leq 20$) |

Mixer cartridge

| | |
|------------------------|-------|
| Ceramic cartridge size | 35 mm |
|------------------------|-------|

Spout

| | |
|------------------------|-------|
| Spout type | still |
| Mixer spout range [mm] | 110 |
| Material | brass |

Aerator

| | |
|--------------|-----------|
| Aerator type | coin-slot |
| Aerator size | M24 |

Connecting hose

| | |
|---------------------|------|
| Length [mm] | 450 |
| Installation thread | 3/8" |
| Connection thread | M10 |

Features:

- Light and subtle design
- Coin-slot aerator
- Z flow class (4-9 l/min) allowing for water consumption reduction
- The mounting sleeve facilitates the installation of the mixer
- 45 cm connection hoses included
- Innovative, durable and easy to clean Nero coating
- Only the best materials, the quality of which has been confirmed by laboratory tests
- The mixer body is made of the highest quality brass
- The mixer is equipped with a stream aerator
- The offer includes a cleaning agent for fixtures in all colors