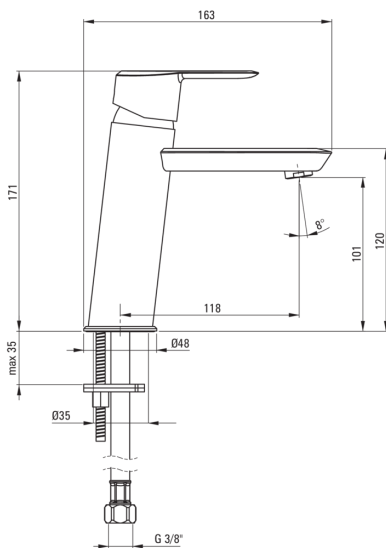


# ARNIKA

## Washbasin tap

**Product code:** BQA\_R20M  
**EAN:** 5907650833291  
**Color:** brushed gold  
**Warranty [years]:** 7



### Mixer

Finish	brushed gold
Mixer type	single-handle, mixer
Installation method	standing
Flow class [l/min]	Z - 4-9 l/min
Acoustic group [db]	I ( $x \leq 20$ )

### Mixer cartridge

Ceramic cartridge size	35 mm
------------------------	-------

### Spout

Spout type	still
Mixer spout range [mm]	118
Material	brass

### Aerator

Aerator type	silicone
--------------	----------

### Connecting hose

Length [mm]	450
Installation thread	3/8"
Connection thread	M10

### Features:

- Design full of beauty and harmony
- The variety of colours gives many arrangement possibilities
- Innovative and easy to maintain brushed gold coating
- The mixer body is made of the highest quality brass
- The mixer is equipped with a stream aerator
- 45 cm connection hoses included
- Z flow class (4-9 l/min) allowing for water consumption reduction
- Silicone aerator for easy limescale removal
- we recommend buying a universal plug in the color of the mixer
- Only the best materials, the quality of which has been confirmed by laboratory tests
- The offer includes a cleaning agent for fixtures in all colors