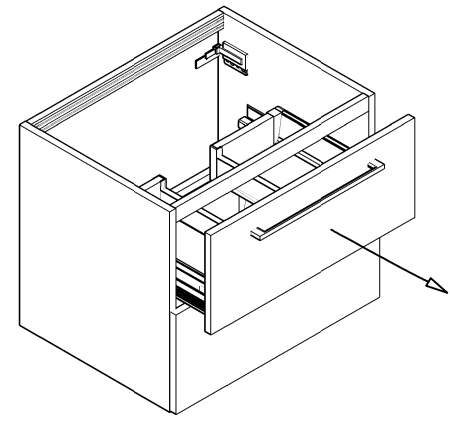
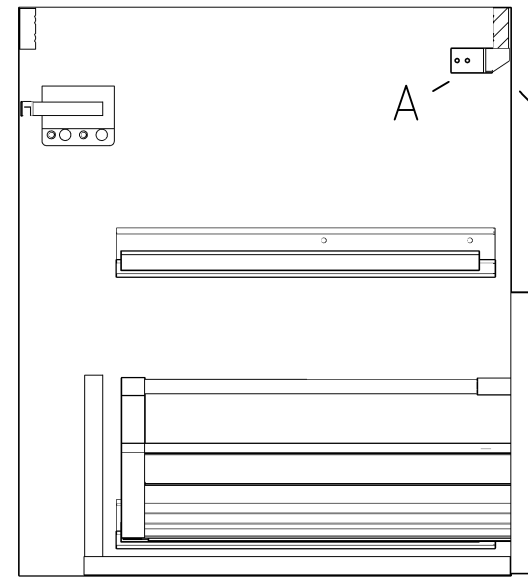


1.

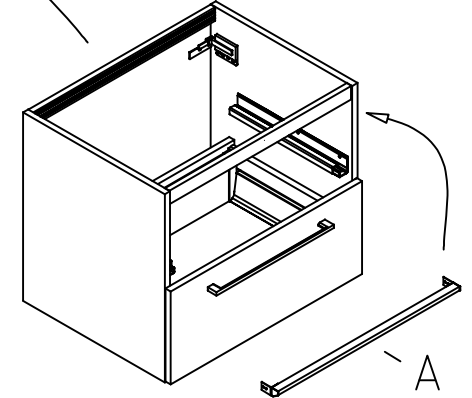
! All electrical work should be carried out only by a suitably qualified and competent person, in strict accordance with national safety regulations.



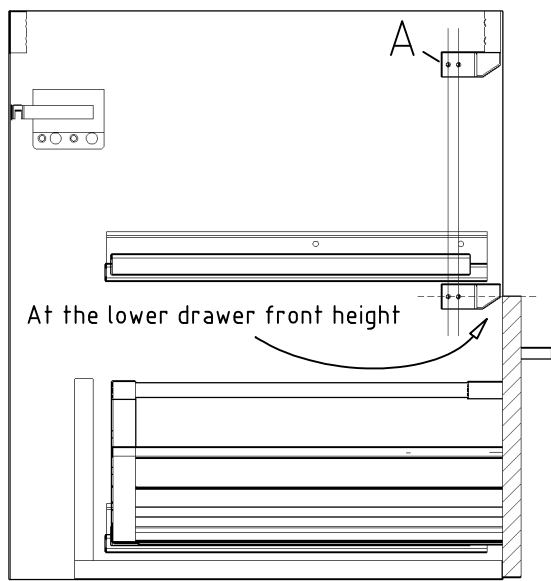
2.



Under top front bar A



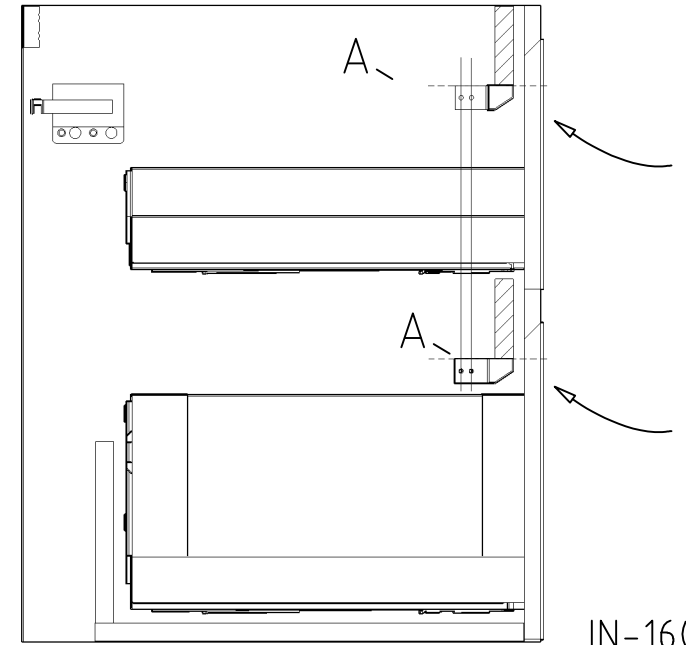
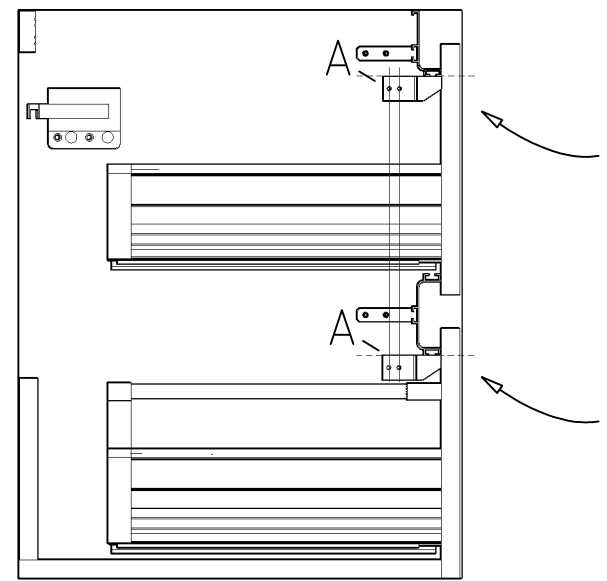
3.



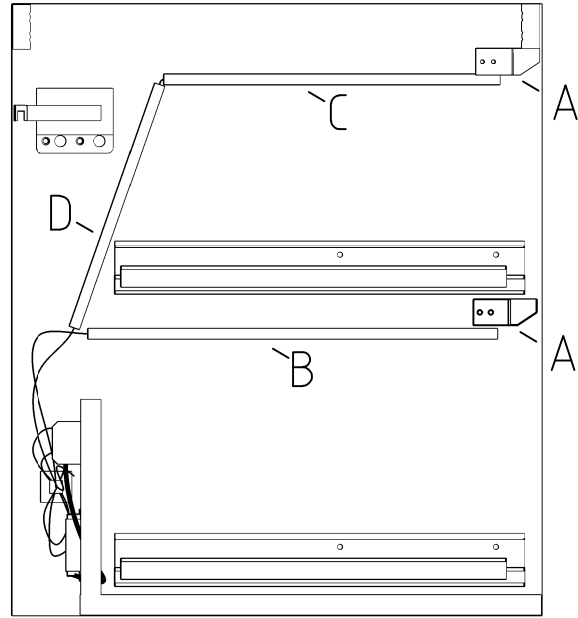
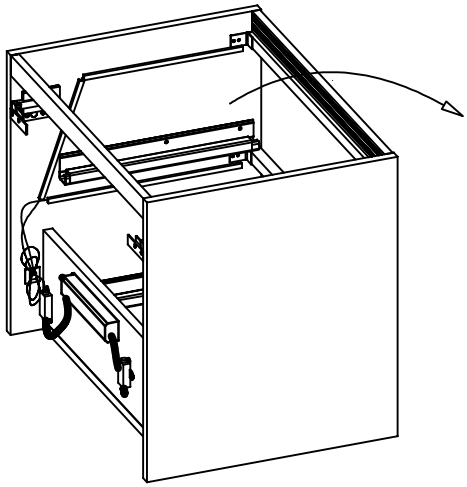
At the lower drawer front height

3. other variants

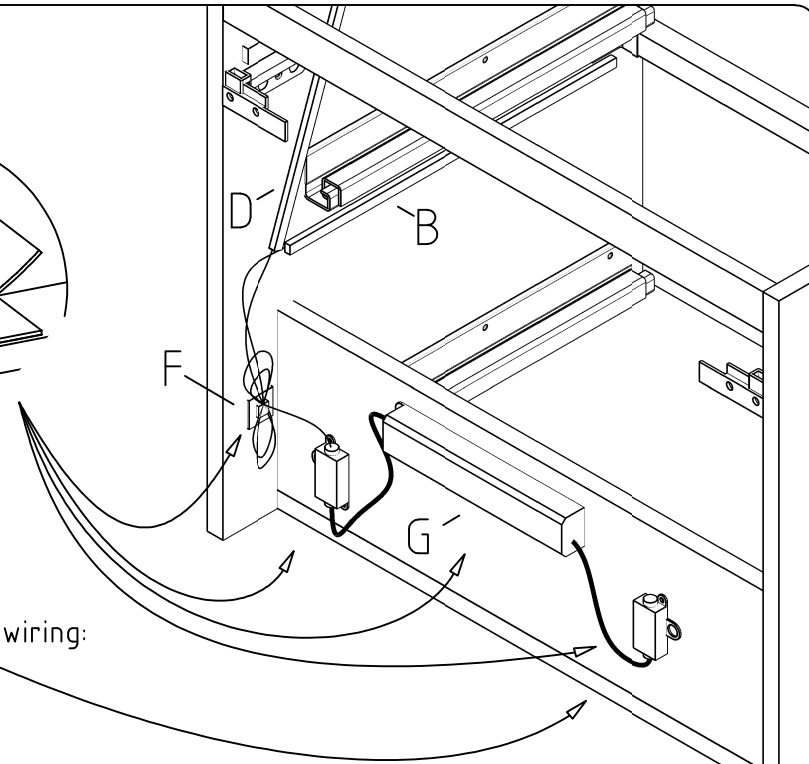
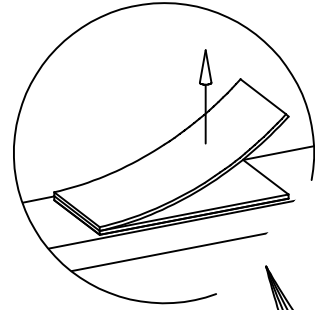
In a variant of top and middle horizontal bar, position LED profile flush under the bars.



4.

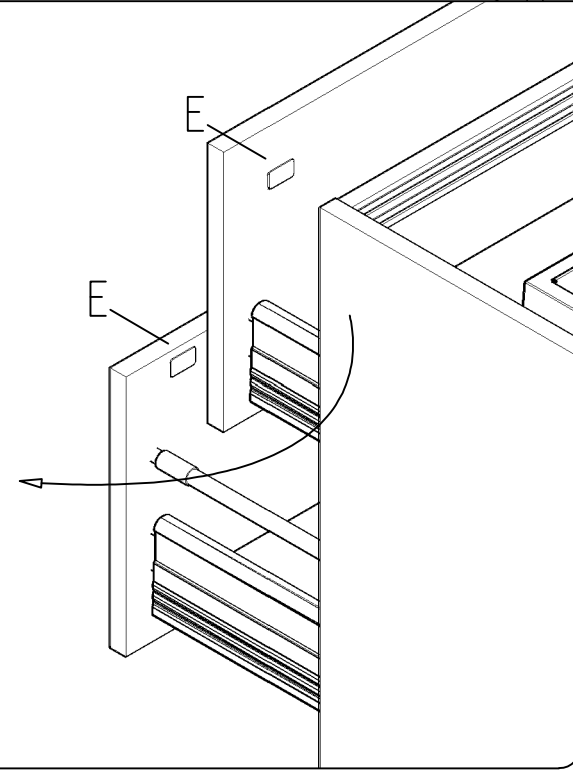
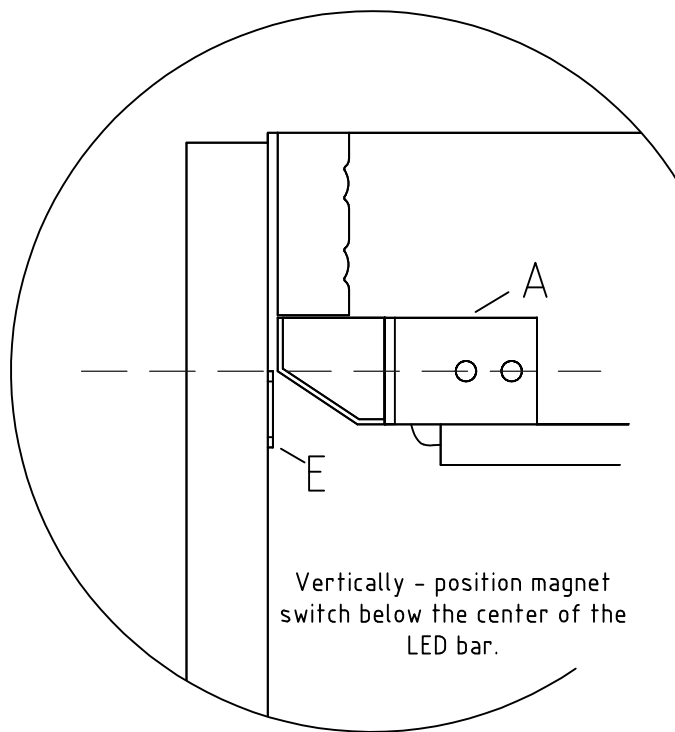
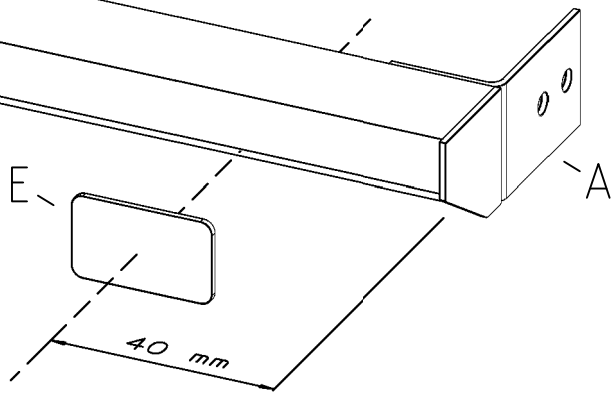


5.



INPUT ~230 V wiring:
 Brown - Load
 Blue - Neutral

6.



Vertically - position magnet switch below the center of the LED bar.

Horizontally - position magnet switch from the right side of the LED bar end.