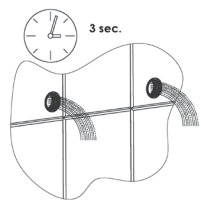


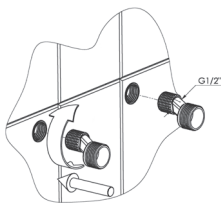
Vigas-10/K



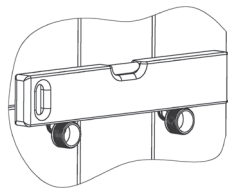
I.



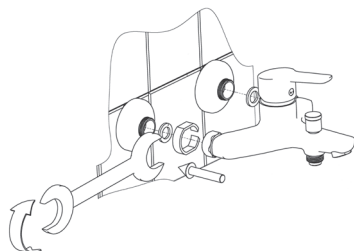
II.



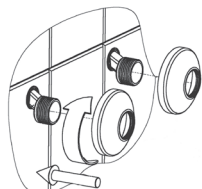
III.



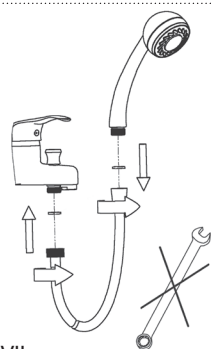
IV.



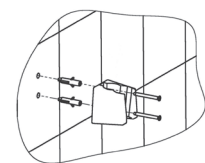
VI.



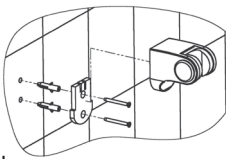
V.



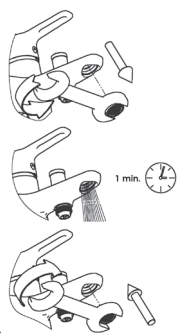
VII.



VIII.



IX.



RUBINETA

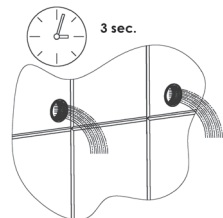


VIGAS

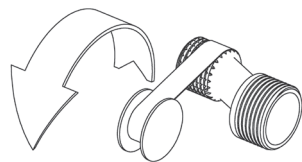
UAB „Rubineta“  
Savanorių pr. 180, LT-03154 Vilnius  
www.rubineta.com

COMPANY WITH  
QUALITY SYSTEM  
CERTIFIED BY DNV  
= ISO 9001 =

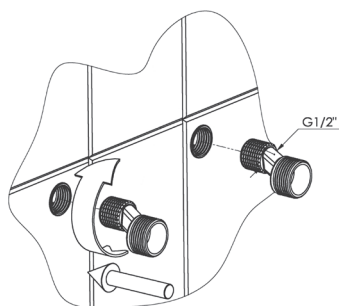
Vigas-15/K



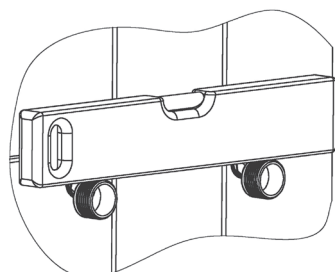
I.



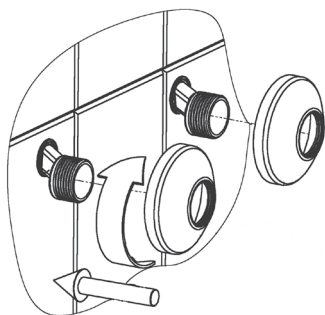
II.



III.

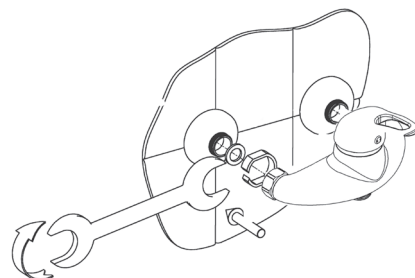


IV.

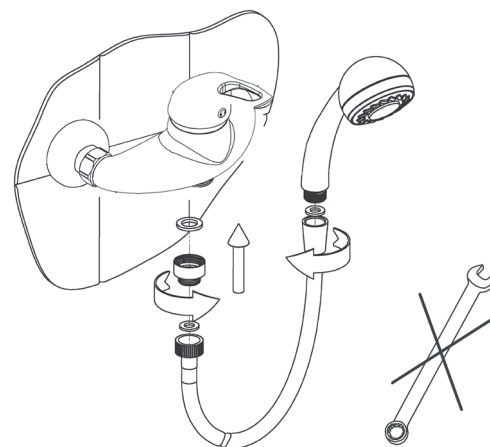


V.

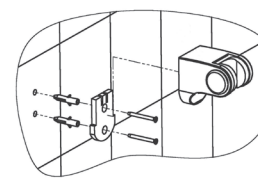
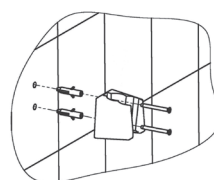
VI.

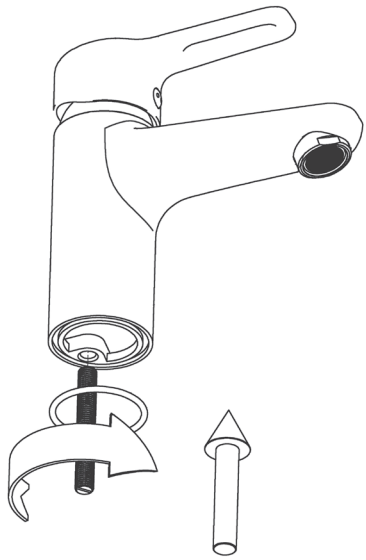


VII.

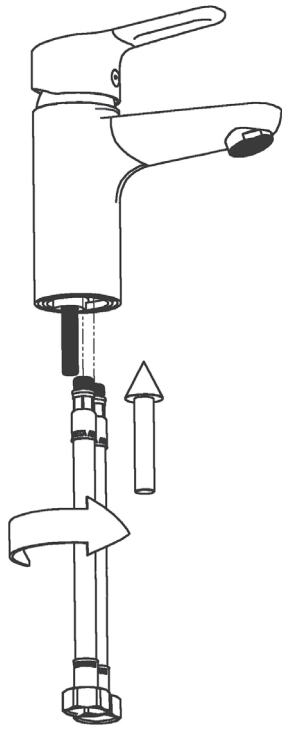


VIII.

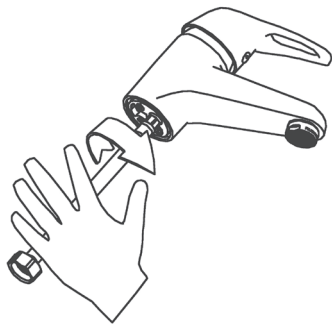




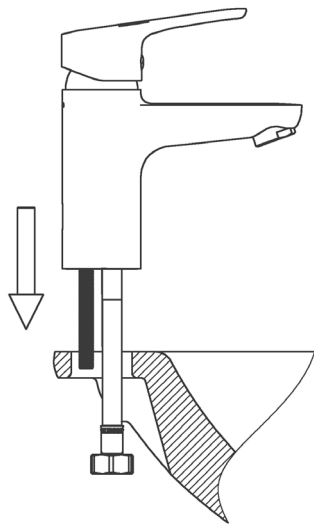
I.



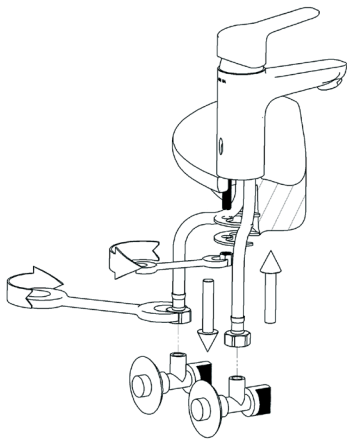
II.



III.



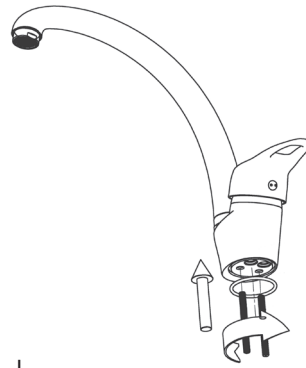
IV.



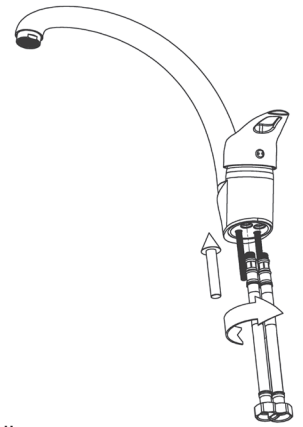
V.



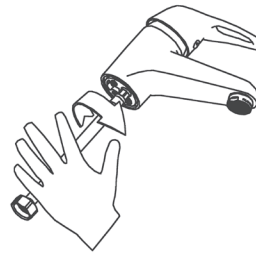
VI.



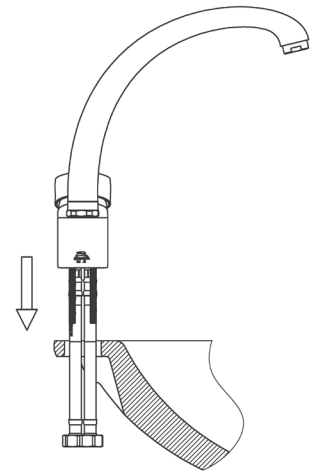
I.



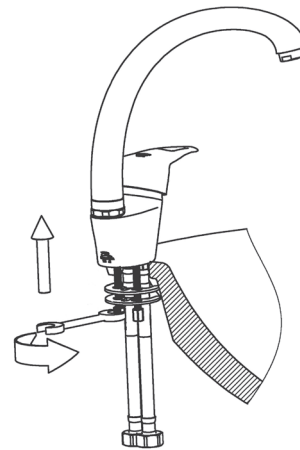
II.



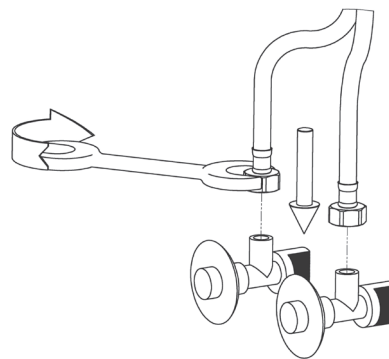
III.



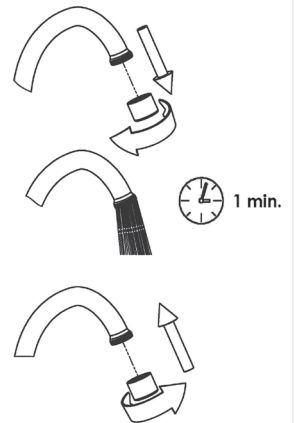
IV.



V.



VI.



VII.