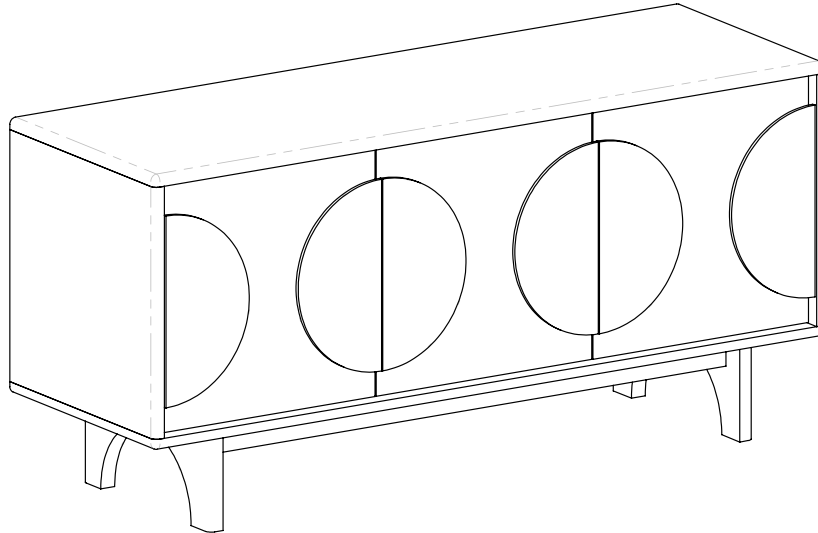


Thank you for purchasing this Sideboard Groove 3 Doors. Please read the instructions carefully before use to ensure safe and satisfactory operation of this product.

---

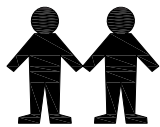


## Pre-assembly preparation

Please ensure instructions are read in full before attempting to assemble this product.

---

## People to assemble



## Tools required



Please check the pack contents before attempting to assemble this product. A full checklist of components is given in this leaflet. If any components are missing, please contact the retailer from whom you bought this product.

This product is **HEAVY**, it should be assembled as near as possible to the point of use. **TAKE CARE WHEN LIFTING** to avoid personal injury and (or) damage to the product.

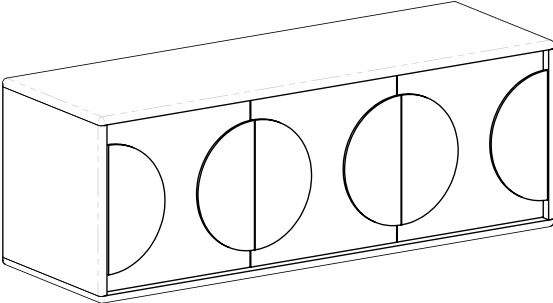
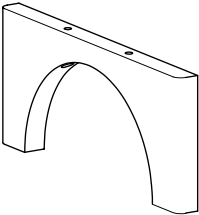
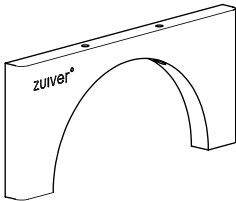
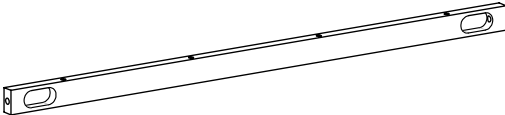
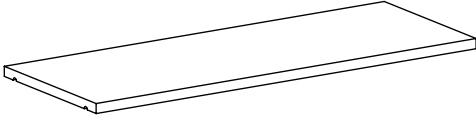
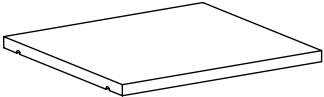
This product takes approximately **20 MINUTES** to assemble with **2 PEOPLE**.

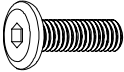

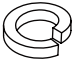

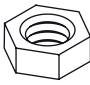
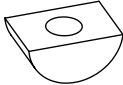

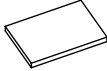


The fittings pack contains **SMALL ITEMS** which should be **KEPT AWAY FROM YOUNG CHILDREN**.

Read this leaflet in full before commencing assembly.

**PLEASE KEEP THESE INSTRUCTIONS FOR FUTURE REFERENCE**

# Fittings and parts checklist

Parts checklist					
A	Cabinet x1				
B	Left leg x1		C	Right leg x1	
D	Bottom rail x2				
E	Big shelf x1				
F	Small shelf x1				

Fitting checklist					
G	Bolt x12 M6x35mm		H	Full thread stud x4 M6x70mm	
I	Spring washer x4		J	Flat washer x4	
K	Hexagon nut x4 M6		L	Half-moon washer x4	
M	Shelf support x8		N	Felt pad x4	
O	Spanner x1		P	Allen key #4 x1	

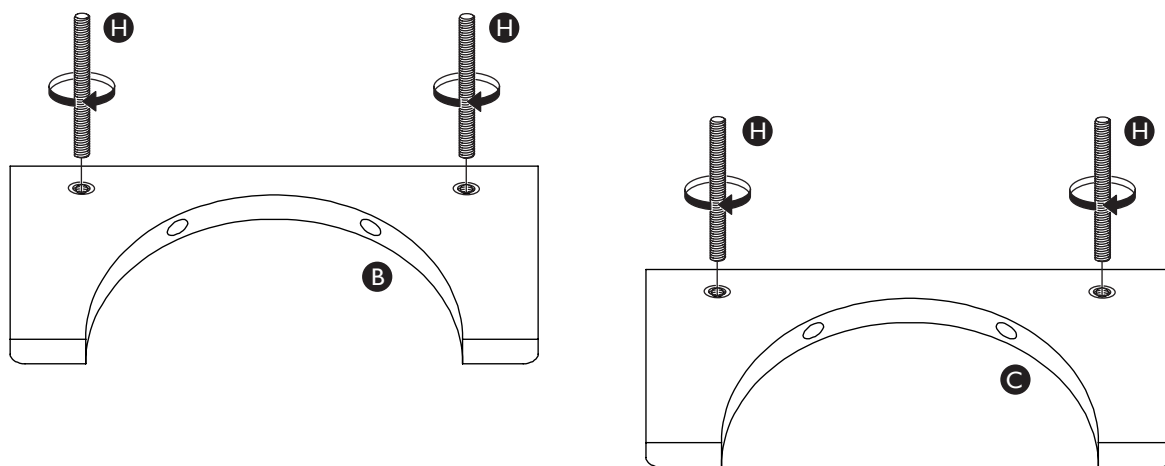
---

## Step by step assembly instructions

---

### Step One

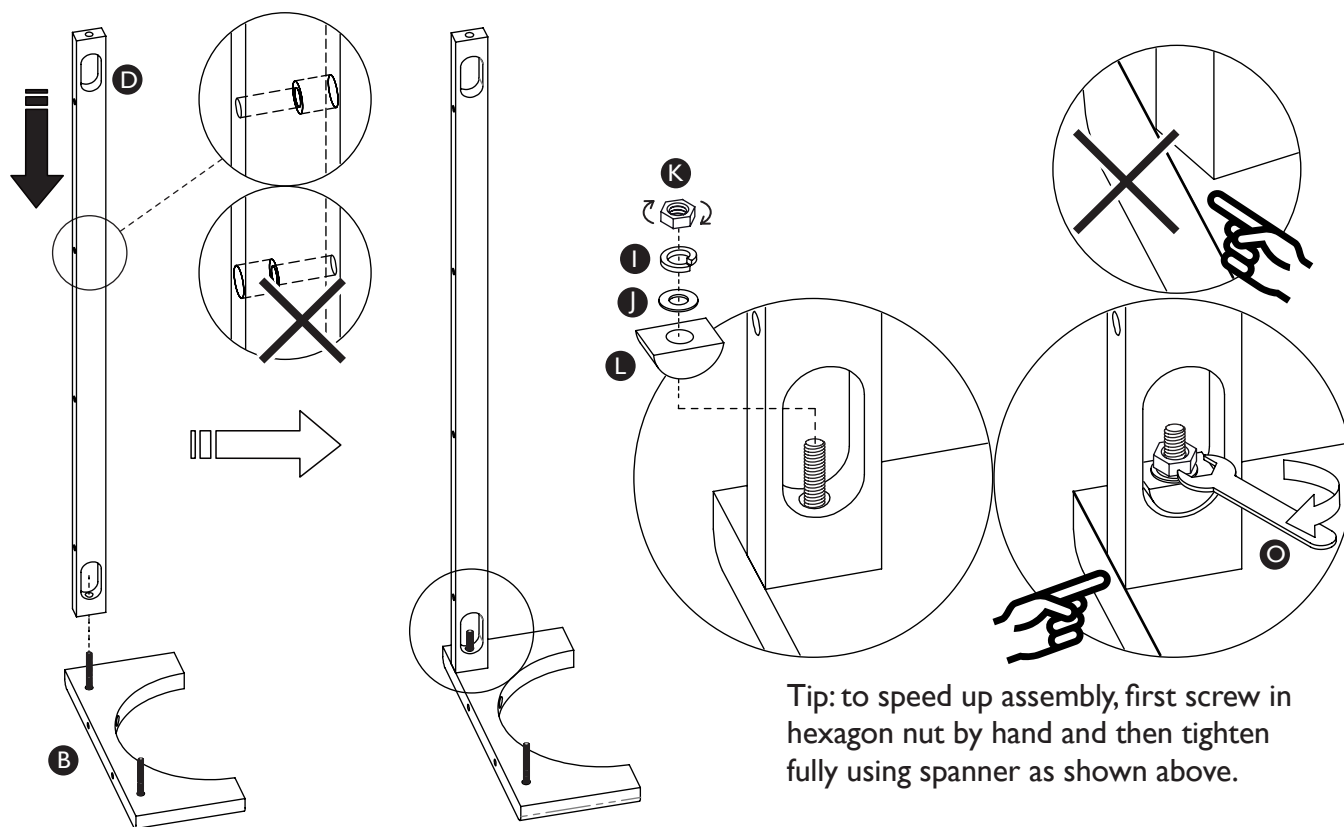
Carefully place the legs (part B&C) on a soft, flat surface near where the unit will be used. Screw the full thread stud (part H) into the fixing point on the inside of the legs (part B&C) **until finger tight**, as shown below.



### Step Two

Carefully insert the bottom rail (part D) over the full thread stud *that already assembled in step 1*, then secure the bottom rail using the half-moon washer (part L), flat washer (part J), spring washer (part I), hexagon nut (part K) and spanner (part O) as shown below.

Finally, repeat this process again to secure the remaining bottom rail to the other side of the left leg (part B).



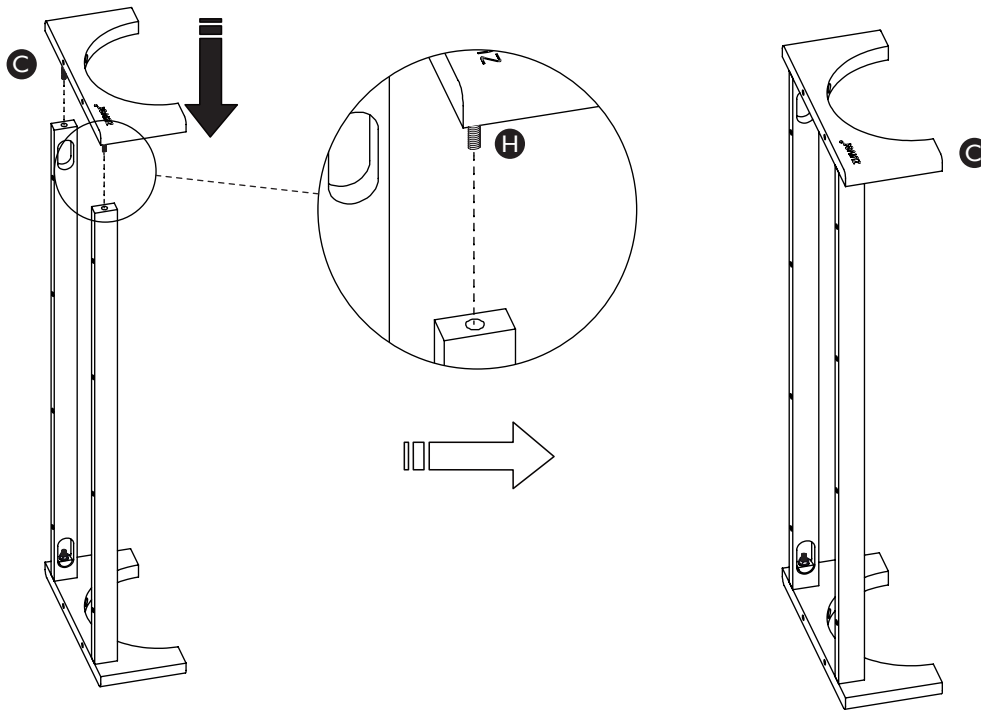
---

## Step by step assembly instructions

---

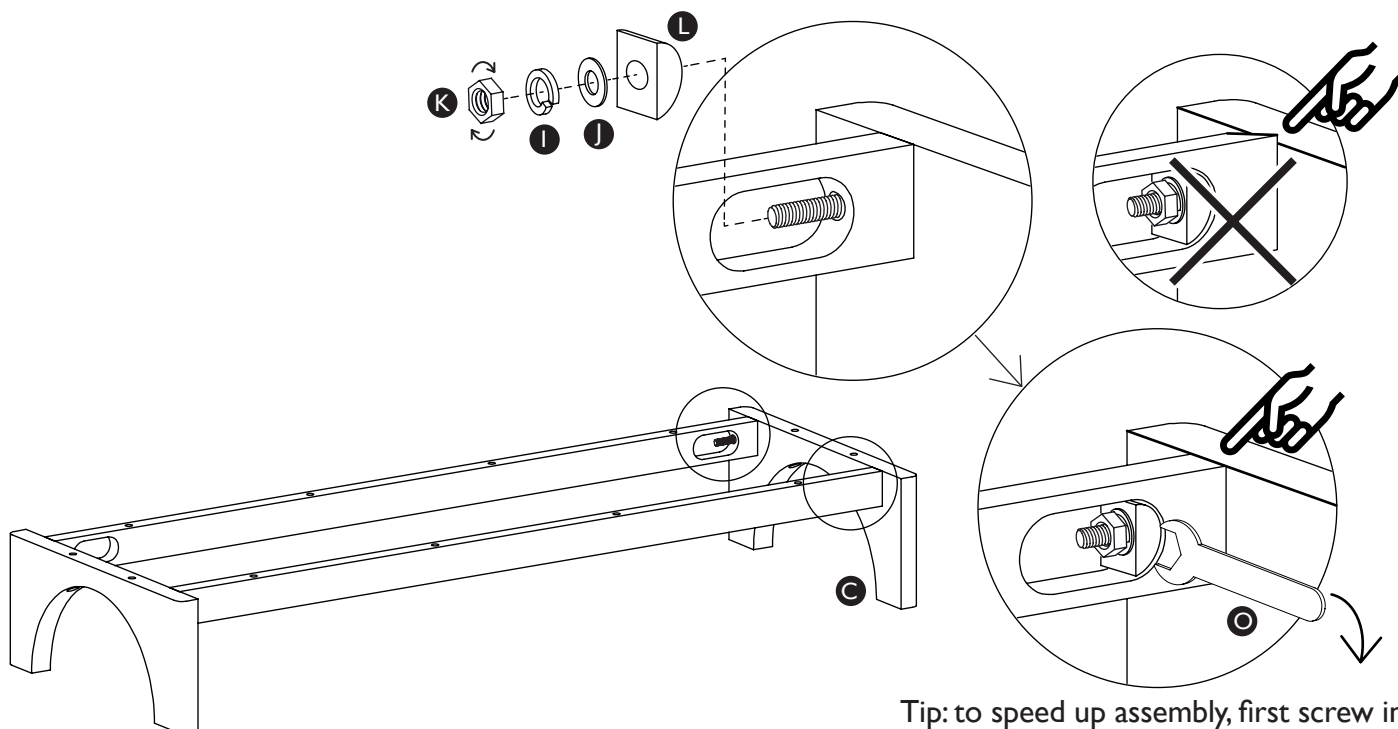
### Step Three

Locate the right leg (part C) with 2x full thread stud (part H) that already assembled in step 1 as shown below.



### Step Four

Secure the right leg (part C) using the half-moon washer (part L), flat washer (part J), spring washer (part I), hexagon nut (part K) and spanner (part O) as shown below.

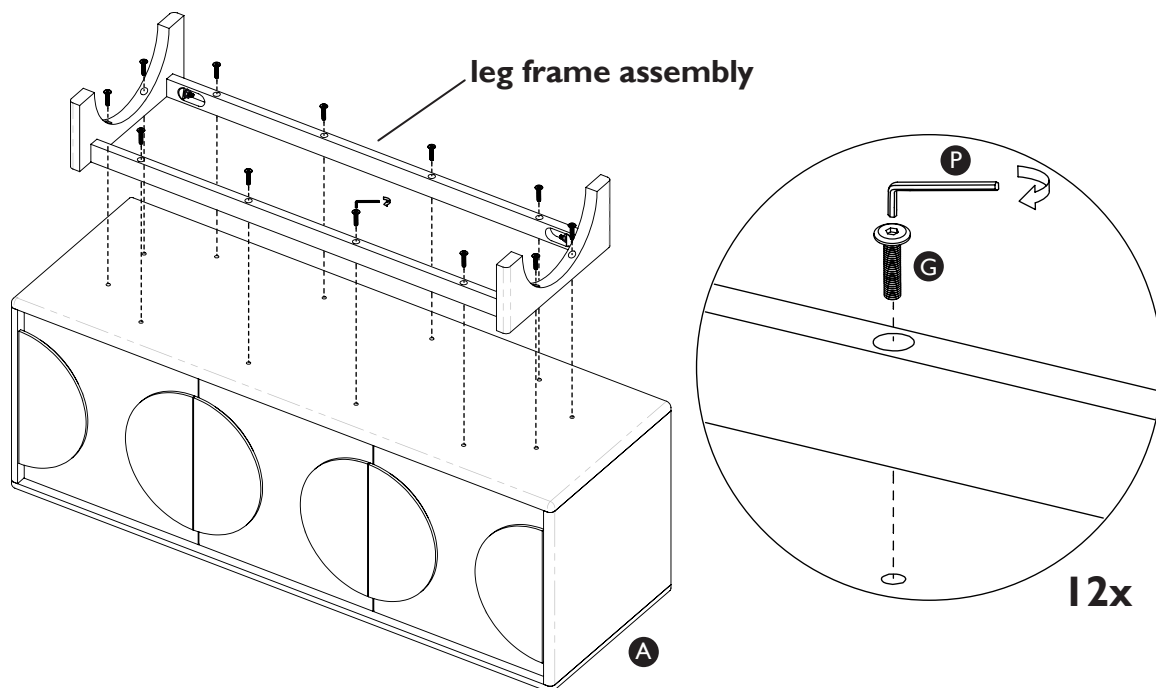


Tip: to speed up assembly, first screw in hexagon nut by hand and then tighten fully using spanner as shown above.

## Step by step assembly instructions

### Step Five

With 2 people, carefully place the cabinet (part A) upside down on a soft, flat surface near where the unit will be used. Secure the leg frame assembly using bolt (part G) and allen key (part P) as shown below.



### Step Six

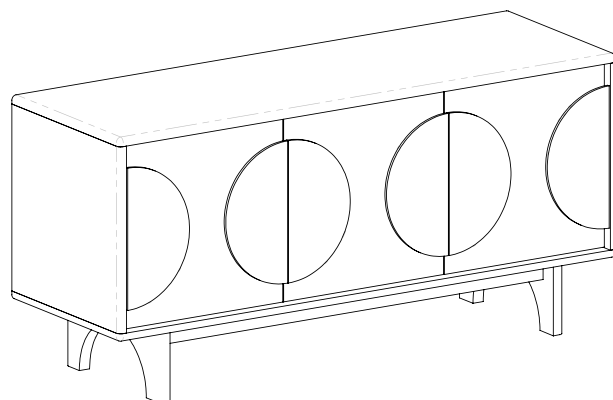
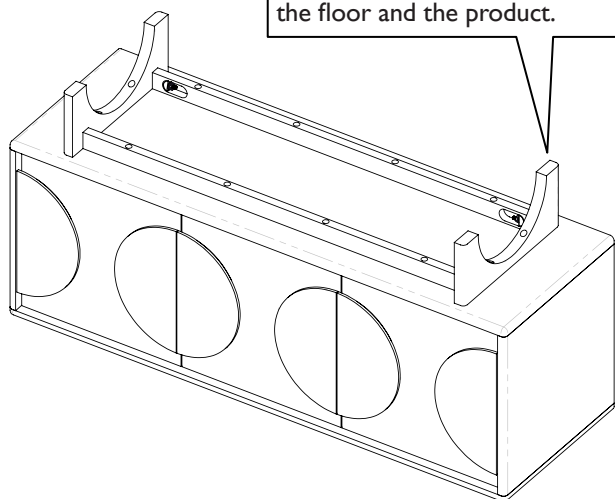
With 2 people, carefully turn the product over and place in position.



If the product will be placed on a hard floor, we advise applying the felt pads (part M) to the bottom of the legs to prevent damage to the floor and the product.



**CAUTION!**  
Please take care when lifting. Carefully turn the product so it is upright ensuring that the doors do not come loose.



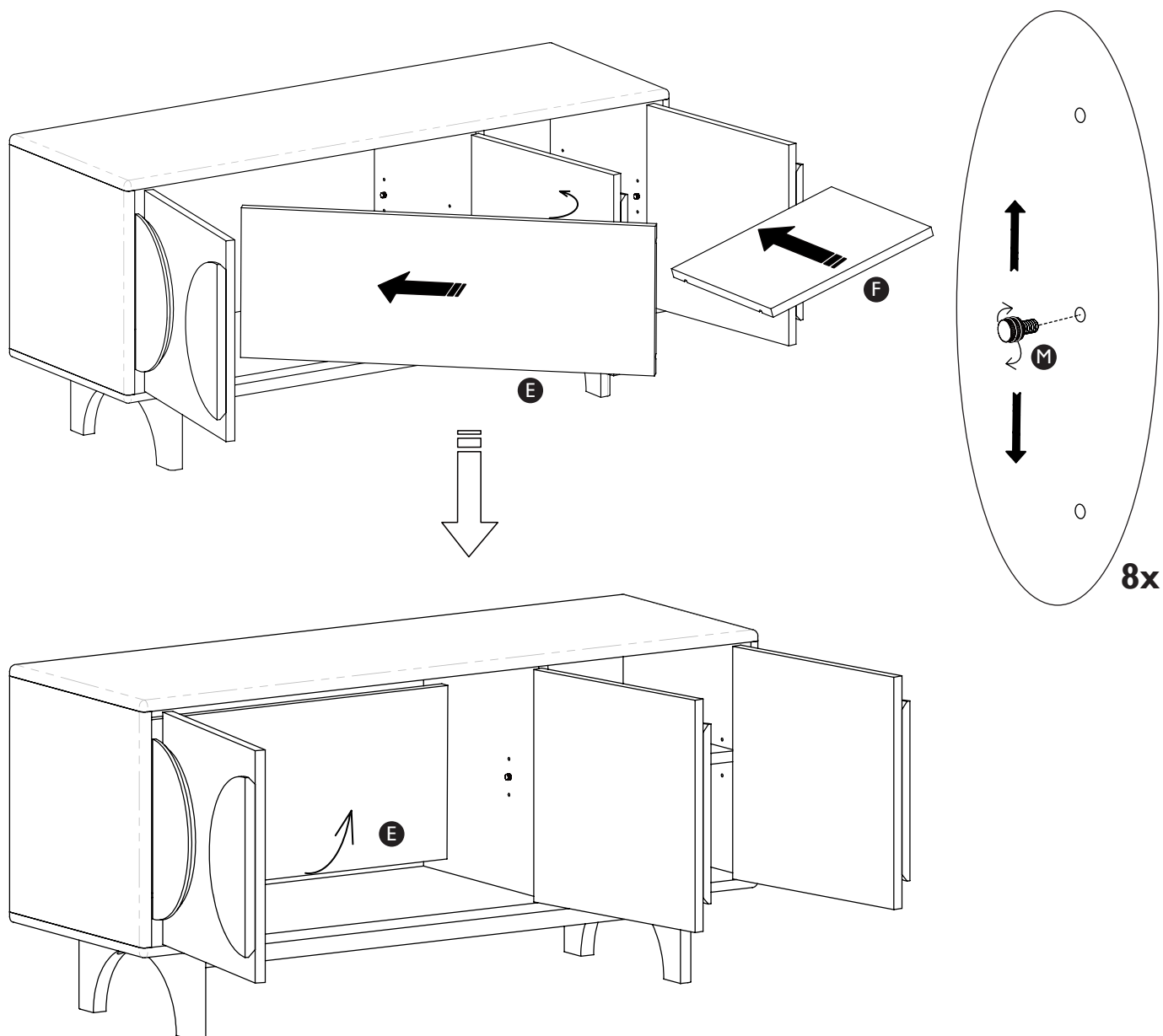
---

## Step by step assembly instructions

---

### Step Seven

Locate the shelf supports (Part M) into the desired height. After, locate the shelves (Part E and Part F) onto shelf supports as shown below.



### PLEASE READ!

This veneered product top has a natural open grain finish. Please read the care guide thoroughly. We recommend using mats and wiping up spilled liquids immediately. Avoid placing plant pots or vases with out waterproof mats to prolong the life of this product.

---

## Care and Maintenance

---

### Wood furniture

- Wood displays different grain patterns depending on which way they cut - for example, the 'medullary rays' which can appear is a mark of good quality timber - these are just characteristics of the natural beauty of the wood. Some furniture is also deliberately aged and rustic.
- Wood veneers also allow distinctive patterns to be created on flat surfaces, such as table tops and drawer fronts by the way the slivers are arranged.
- All timber surfaces will change colour and mellow over time. New furniture will initially vary in shade from items that have been previously purchased.

### How to care for your wood furniture

- Furniture with a hard lacquer, wax polish or painted surface should be dusted with a dry cloth.
- Spray polishes are best avoided as they contain silicones which may spoil the furniture's surface by building up over time.
- Make sure all surfaces are protected from heat and liquids by mats and coasters. Wipe up spills immediately and ensure that a mat or pad is placed under paper if you are writing.
- Our furniture will endure most temperatures in the home but it is best to avoid placing furniture next to heat sources such as radiators or fires. Be particularly careful with solid wood as the lack of humidity caused by central heating can cause damage such as warping.

---

## Safety instructions

---

- Never drag furniture when moving it, always lift it.
- Do not sit or stand upon this product.
- Periodically check all fixings to ensure none have come loose and re-tighten where necessary.
- Please take care when handling or moving the furniture, careless handling may cause damage or injury.
- Furniture can be dangerous if incorrectly installed. Assembly should be carried out by a competent person. No liability will be accepted for damage or injury caused by incorrectly installed or assembled furniture.
- It is recommended that before moving heavy objects to a new location they are completely dis- assembled to avoid personal injury or damage to the furniture. Please be careful to retain all fittings when doing this.

---

## Experiencing problems with your new product?

---

Before calling customer service, please have your item's batch code ready.

You can find the batch code on the back or bottom of your product as below shown.

**(example batch code: I90510)**

