

# KERRIA PLUS

## Shower wall / walk-in, Kerria Plus system

**Product code:** KTS\_N30P

**EAN:** 5908212087510

**Color:** nero

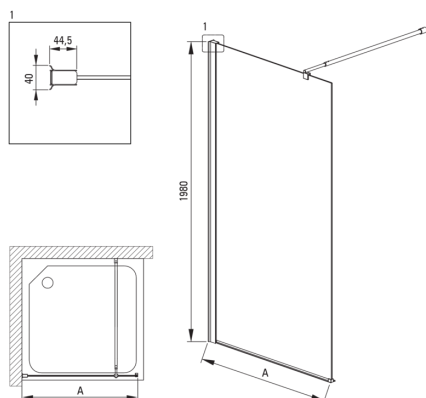
**Warranty [years]:** 2

### Showe cabin

Width [mm]	1000
Height [mm]	2000
Glass thickness [mm]	6
Glass finish	transparent
Active cover	Yes

### Features:

- Only the best materials, the quality of which has been confirmed by laboratory tests
- Possibility to install the cabin without a shower tray, directly on the tiles
- Hydrophobic Active-Cover coating that makes it easier for water to run off the glass
- Covering of assembly elements
- Modern handles with glass protection
- TOTALWHITE transparent glass
- Profiles leveling the curvature of the walls
- The railings give the structure rigidity
- Safe and durable tempered glass
- Dedicated cleaning agent, safe for cleaned surfaces
- Dedicated to Active Cover surfaces
- Resistance to impacts, chemicals and stains in accordance with PN-EN 14428+A1:2008 norm, confirmed by tests of the Institute of Ceramics and Building Materials



Model	Size [mm]	A [mm]
KTS_XB3P	300x1980	250-270
KTS_XB4P	400x1980	350-370
KTS_XB5P	500x1980	450-470
KTS_XB6P	600x1980	550-570
KTS_X37P	700x1980	650-670
KTS_X38P	800x1980	750-770
KTS_X39P	900x1980	850-870
KTS_X30P	1000x1980	950-970
KTS_X31P	1100x1980	1050-1070
KTS_X32P	1200x1980	1150-1170
KTS_X34P	1400x1980	1350-1370