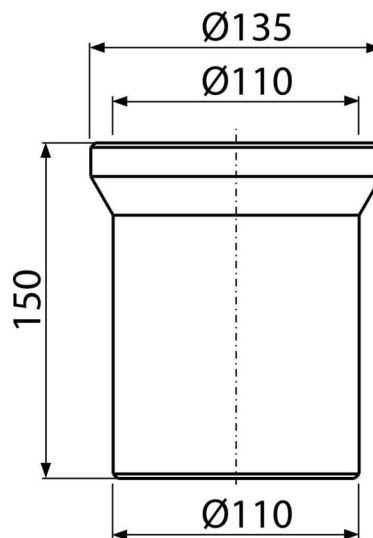


# A91-150

WC connector – length 150 mm



#### Application

To connect the WC bowl to the drain pipe

#### Features

- Length 150 mm
- Material: polypropylene
- Connection to waste Ø110 mm

#### Scope of supply

- Seal
- Pipe

#### Order number, Logistic information

Code	EAN	Weight (piece   packing   palett)	Dimensions (piece   packing)	Quantity (packing   palett)
A91-150	8594045932812	0,23   7,04   132,7 kg	150x135x135   590x430x390 mm	30   480 pcs

#### Warranty

2/2 years \*