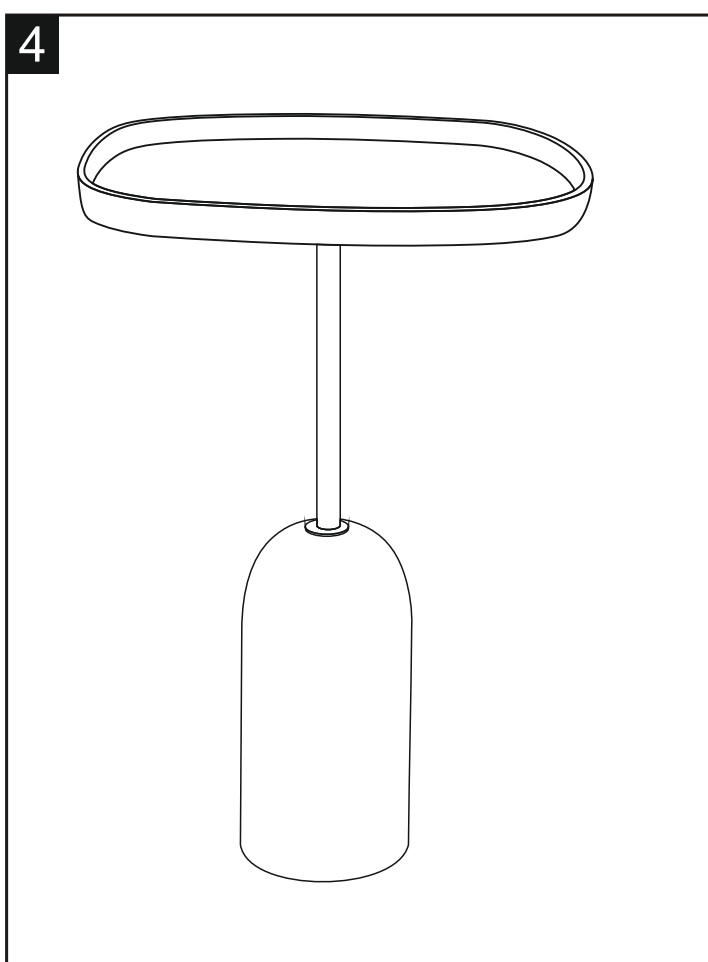
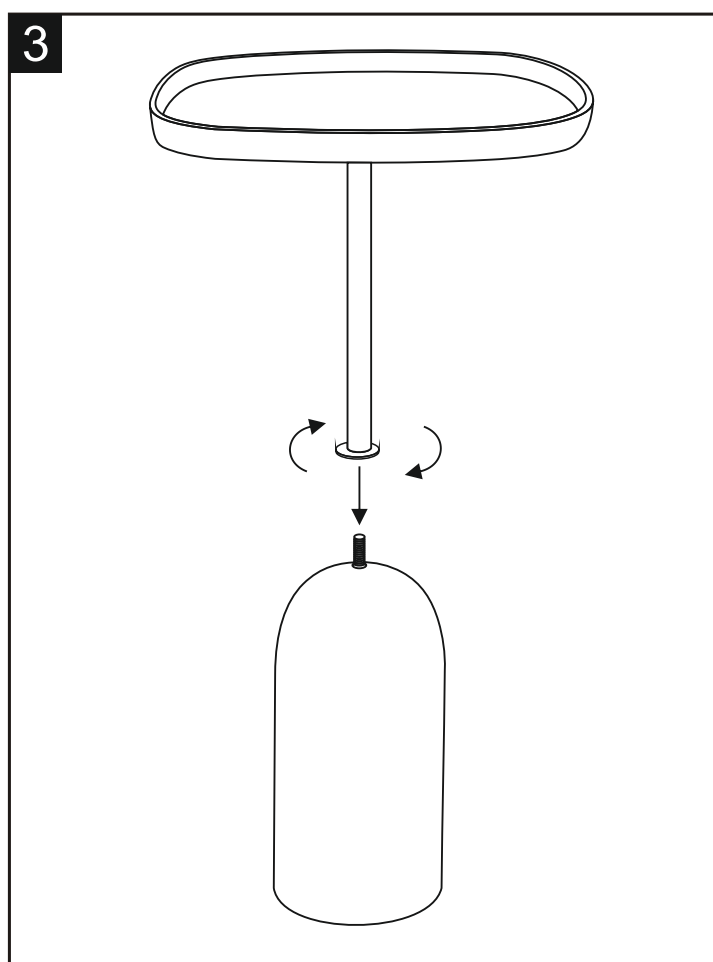
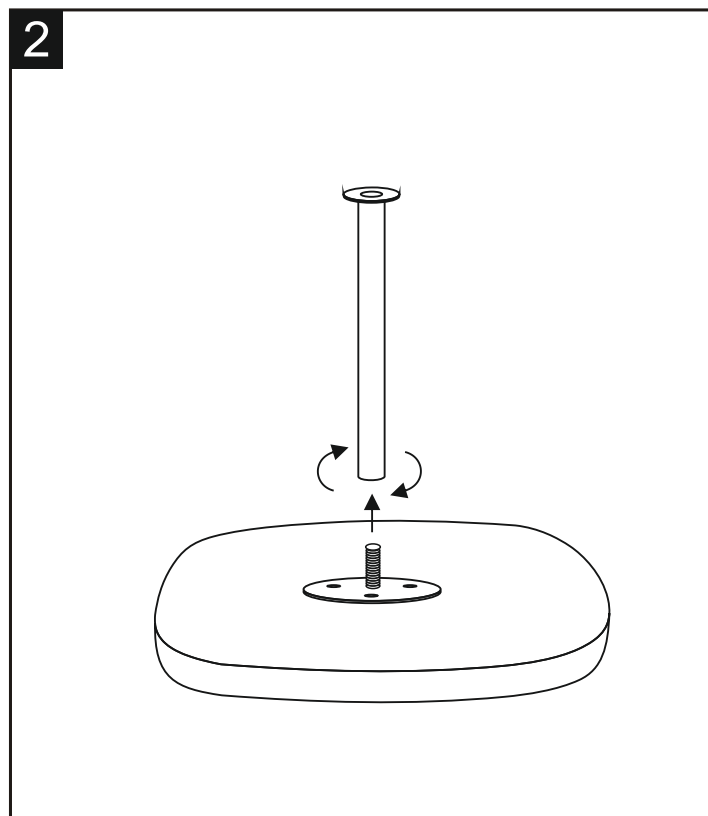
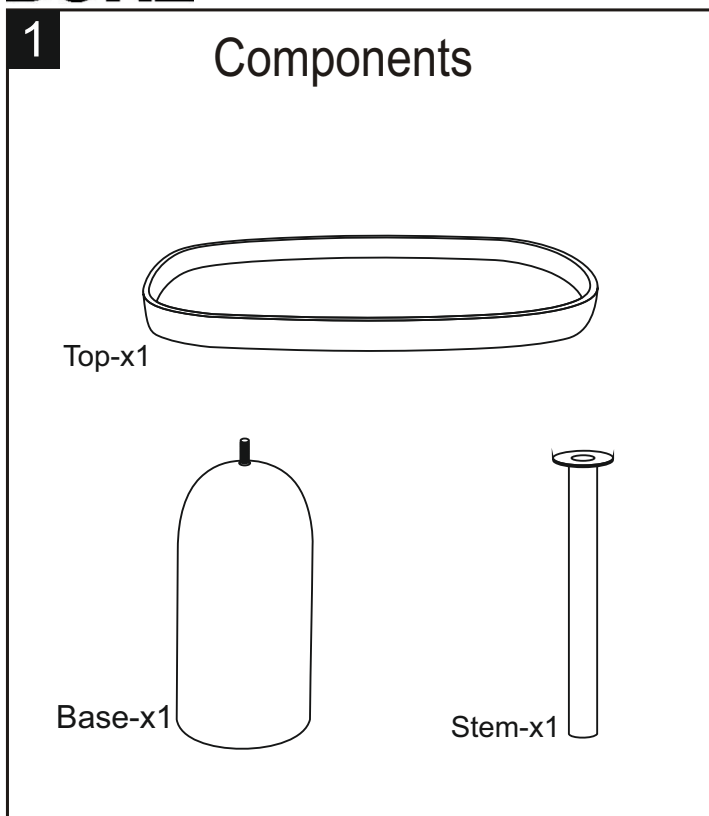


# ASSEMBLY INSTRUCTION

**DUTCH  
BONE**

2300431 Side Table Rimo Brown



Maintenance and cleaning advice:

Marble is a porous material. Do not place hot drinks on the table. When water makes contact with the table, dry immediately. Do not clean with aggressive detergents.

To maintain the perfect condition of the marble, use bee wax to polish.