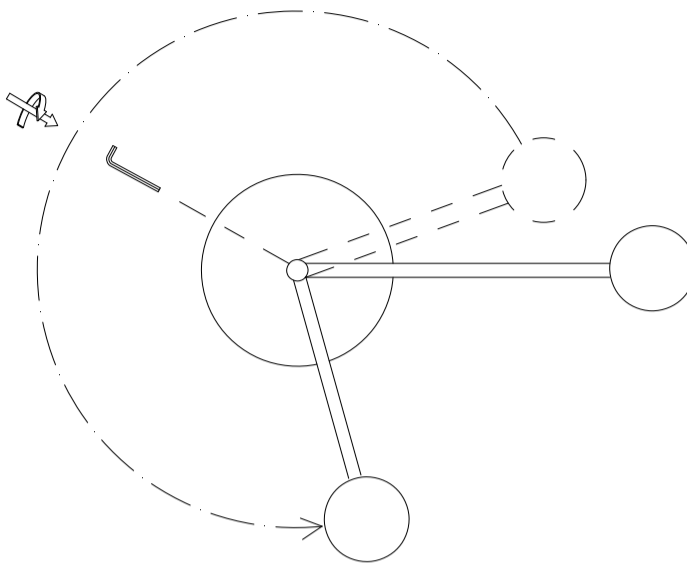
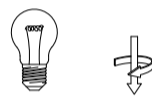
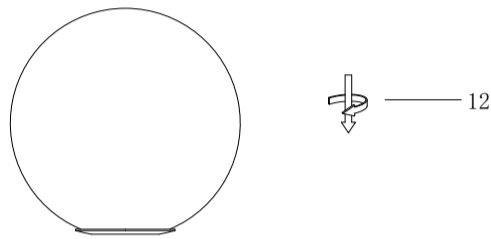


There is a locating point in the tube 2

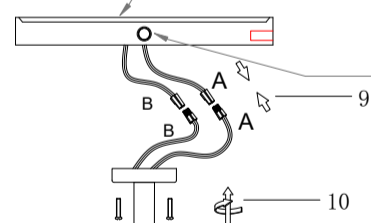
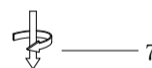
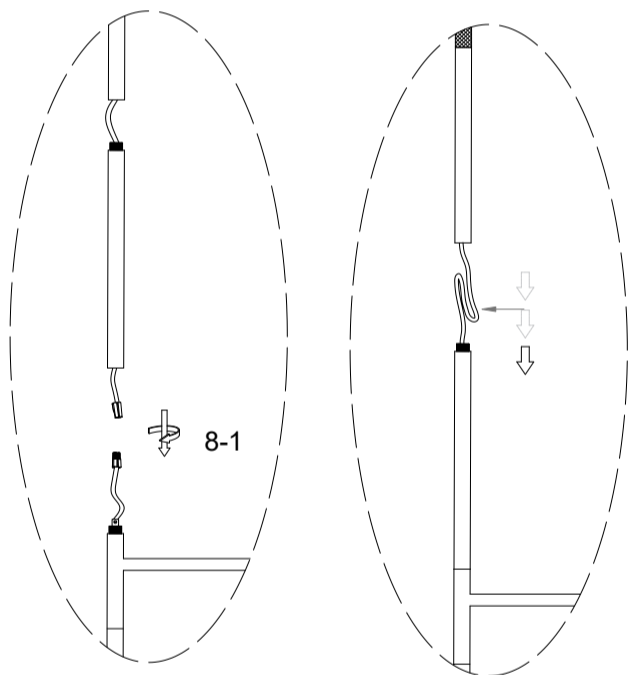
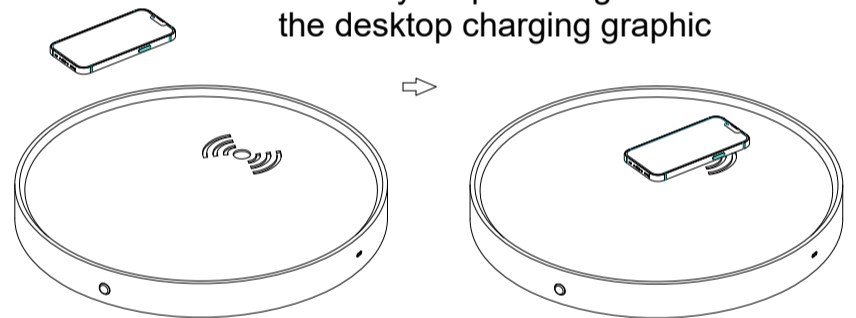
Rotate to fixed point  
(when no more turning) 1



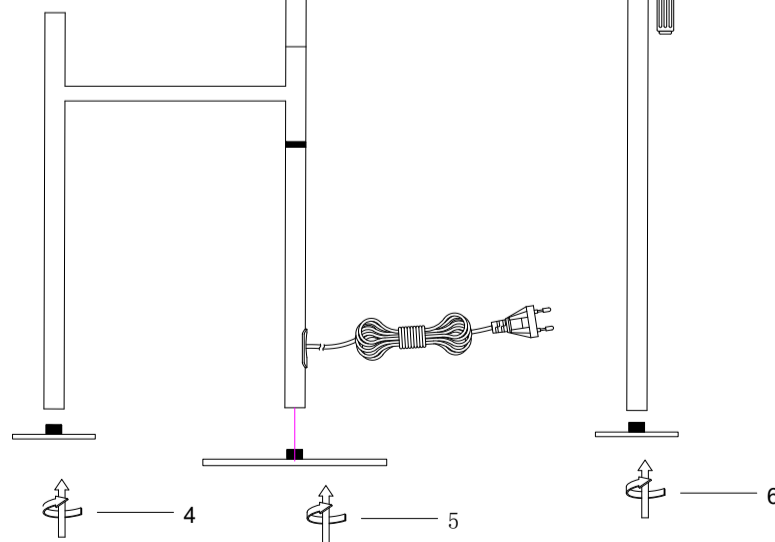
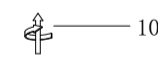
7-1 Bend the wire and stuff it into a metal tube



Charge your phone with the back of your phone against the desktop charging graphic



The touch switch has three steps, the first step is to turn on the power, the second&third step is to increase the brightness.



## Assembly Instruction

1. Before assembling, be sure to turn off the main switch
2. Please use E27 Max 4W LED bulb for this lamp
3. Don't use hard or sharp things to touch the shade in order to avoid scratching.
4. Keep away from children: don't let them touch the electric parts of this lamp.

If (part of) the cable of this lamp is damaged, it should only be replaced by the manufacturer or his service agent or similar qualified person in order to avoid a hazard.