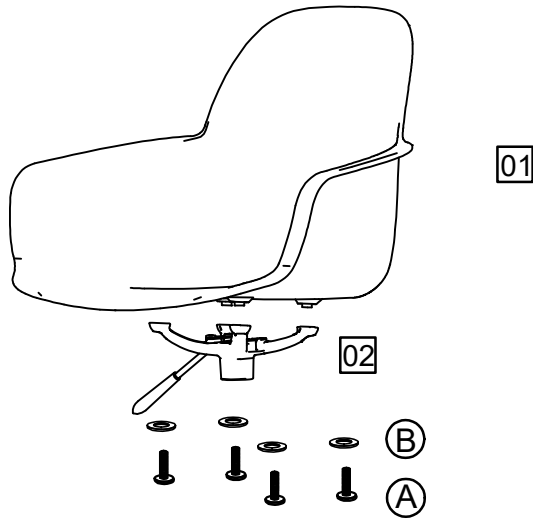


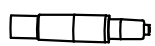



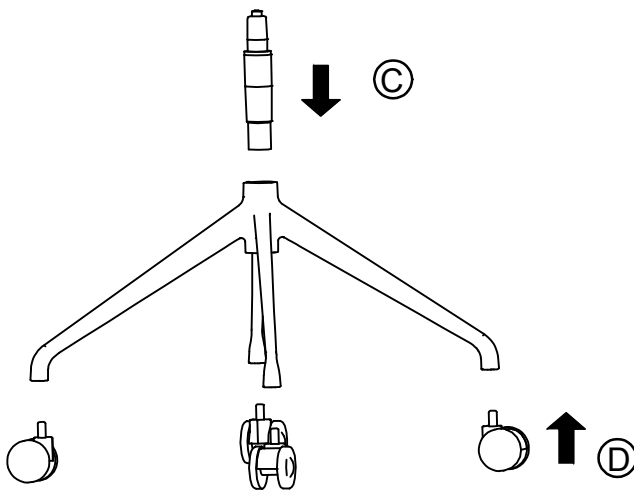
OFFICE ARMCHAIR ALBERT KUIP ZUIVER^o

1.



- (A)  M6 *16 x 4
- (B)  ϕ 13-6.5 *1.5 x 4
- (C)  x1
- (D)  x4

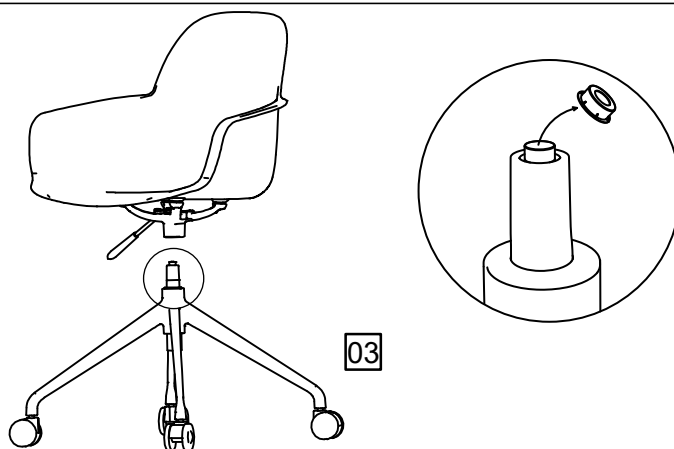
2.



COMPONENT CHECKLIST

PART	No.	Qty.
Seat	01	1
Plate	02	1
Leg	03	1

3.



TOOLS REQUIRED



Allen key (supplied)