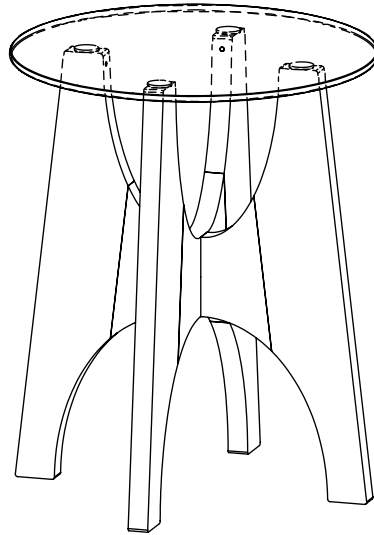


ZUIVER^o

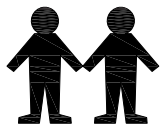
Thank you for purchasing this Side Table Kobe. Please read the instructions carefully before use to ensure safe and satisfactory operation of this product.



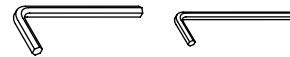
Pre-assembly preparation

Please ensure instructions are read in full before attempting to assemble this product.

People to assemble



Tools required



Please check the pack contents before attempting to assemble this product. A full checklist of components is given in this leaflet. If any components are missing, please contact the retailer from whom you bought this product.

This product is **HEAVY**, it should be assembled as near as possible to the point of use. **TAKE CARE WHEN LIFTING** to avoid personal injury and (or) damage to the product.

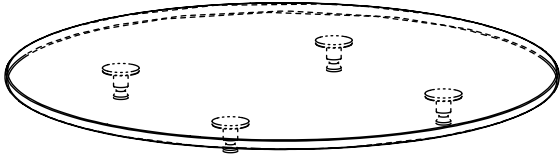
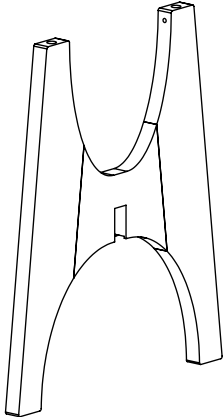
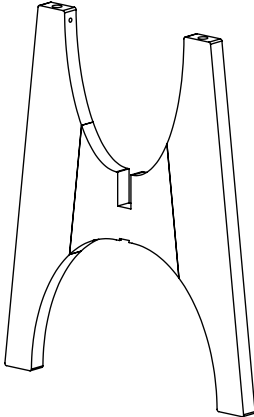
This product takes approximately **15 MINUTES** to assemble with **2 PERSON**.

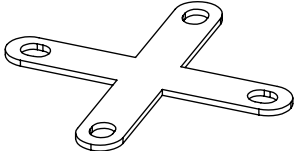
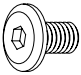



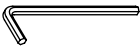
The fittings pack contains **SMALL ITEMS** which should be **KEPT AWAY FROM YOUNG CHILDREN**.

Read this leaflet in full before commencing assembly.

PLEASE KEEP THESE INSTRUCTIONS FOR FUTURE REFERENCE

Fittings and parts checklist

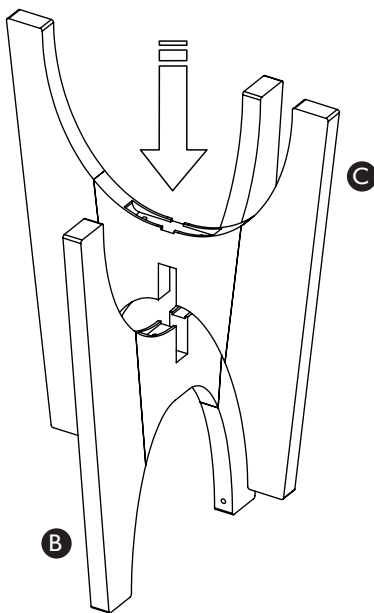
Parts checklist				
A	Table top x1			
B	Leg 1 x1		C	Leg 2 x1
				

Fitting checklist				
D	Metal bracket x1			
E	Allen bolt x4 M6x15mm		F	Grub screws x4 M4x20mm
				
G	Felt pad x4		H	Allen key #4 x1
				
I	Allen key #3 x1			

Step by step assembly instructions

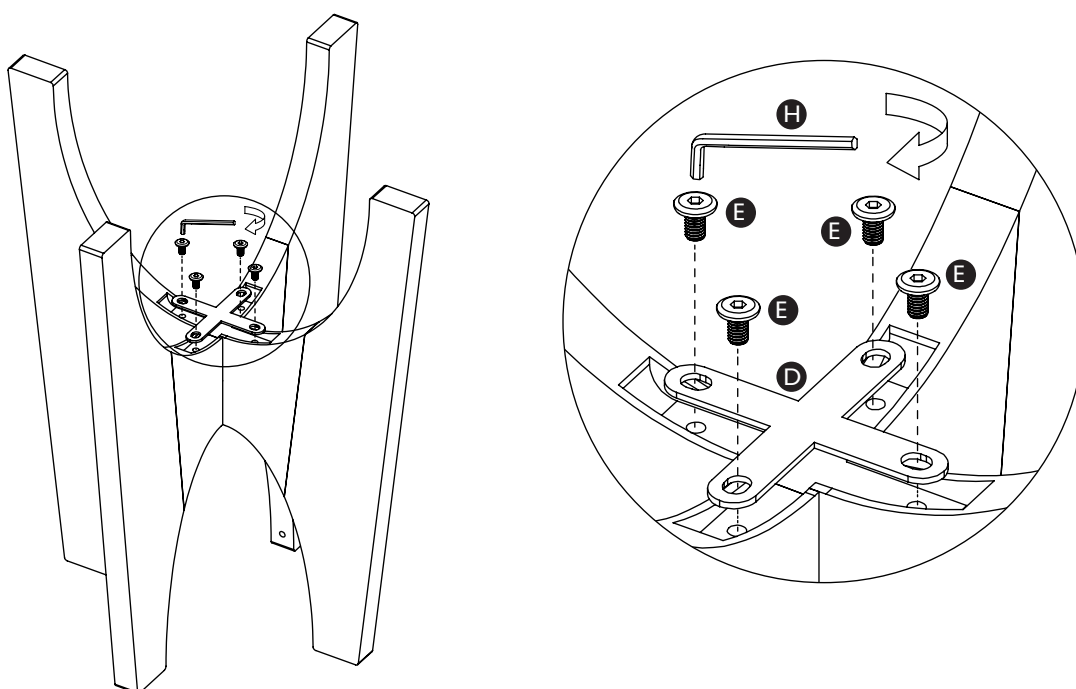
Step One

With 2 people, carefully place the table legs (part B, part C) on a soft flat surface near where the unit will be used. Locate the leg 1 (part B) and the leg 2 (part C) as shown below.



Step Two

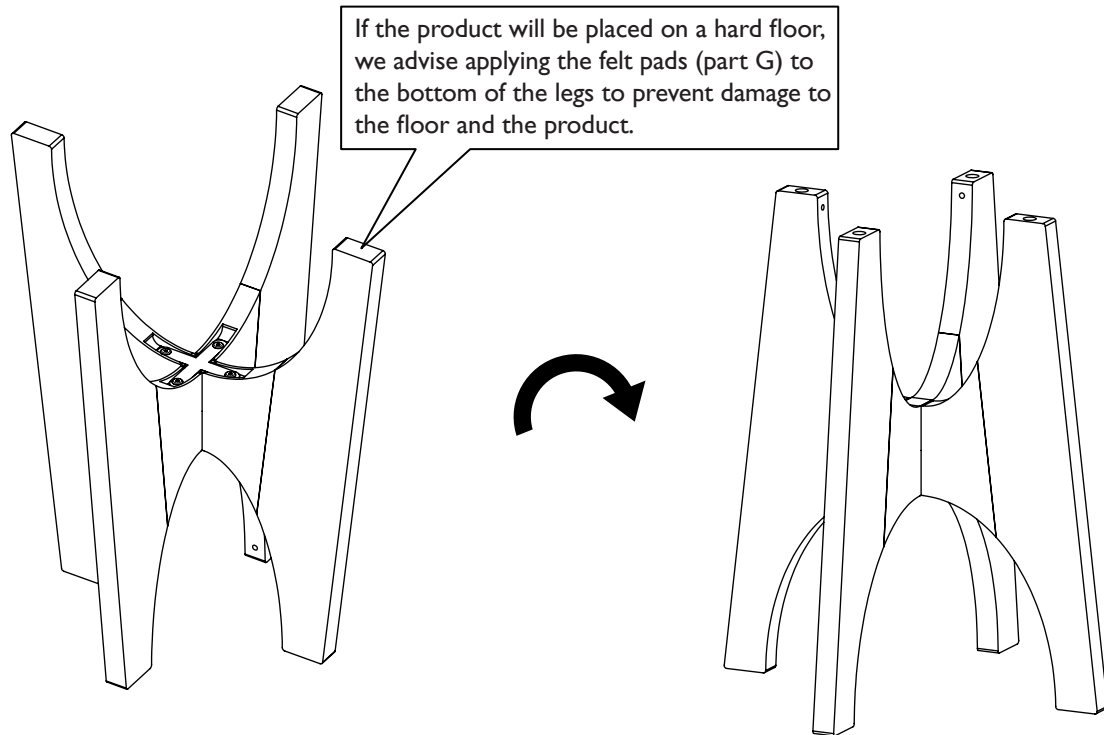
Locate the metal bracket (part D) as shown below and secure using the bolts (part E) and allen key (part H).



Step by step assembly instructions

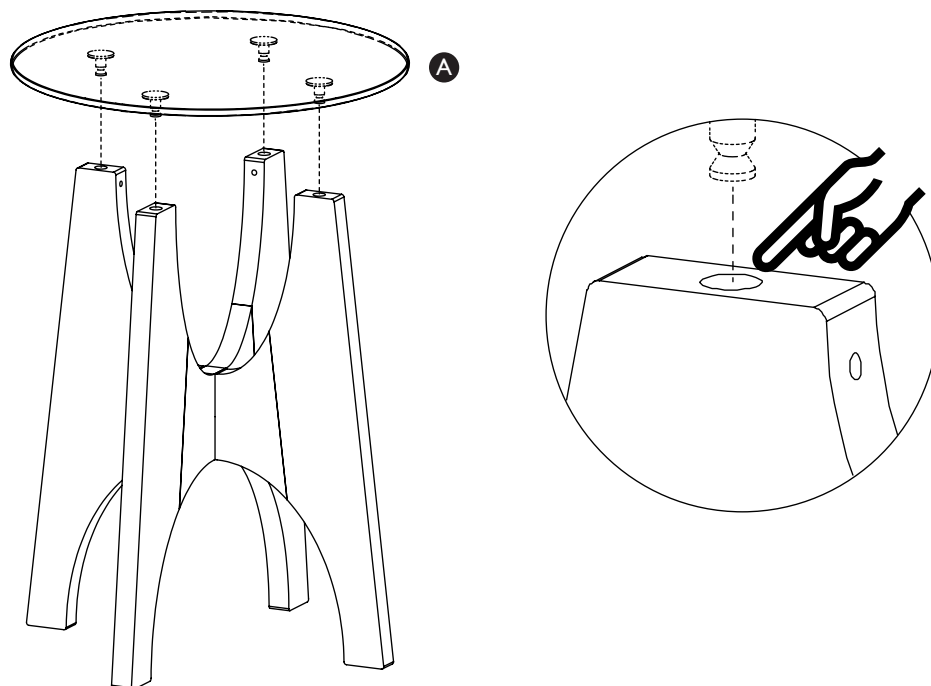
Step Three

With 2 people, carefully turn the wood base over.



Step Four

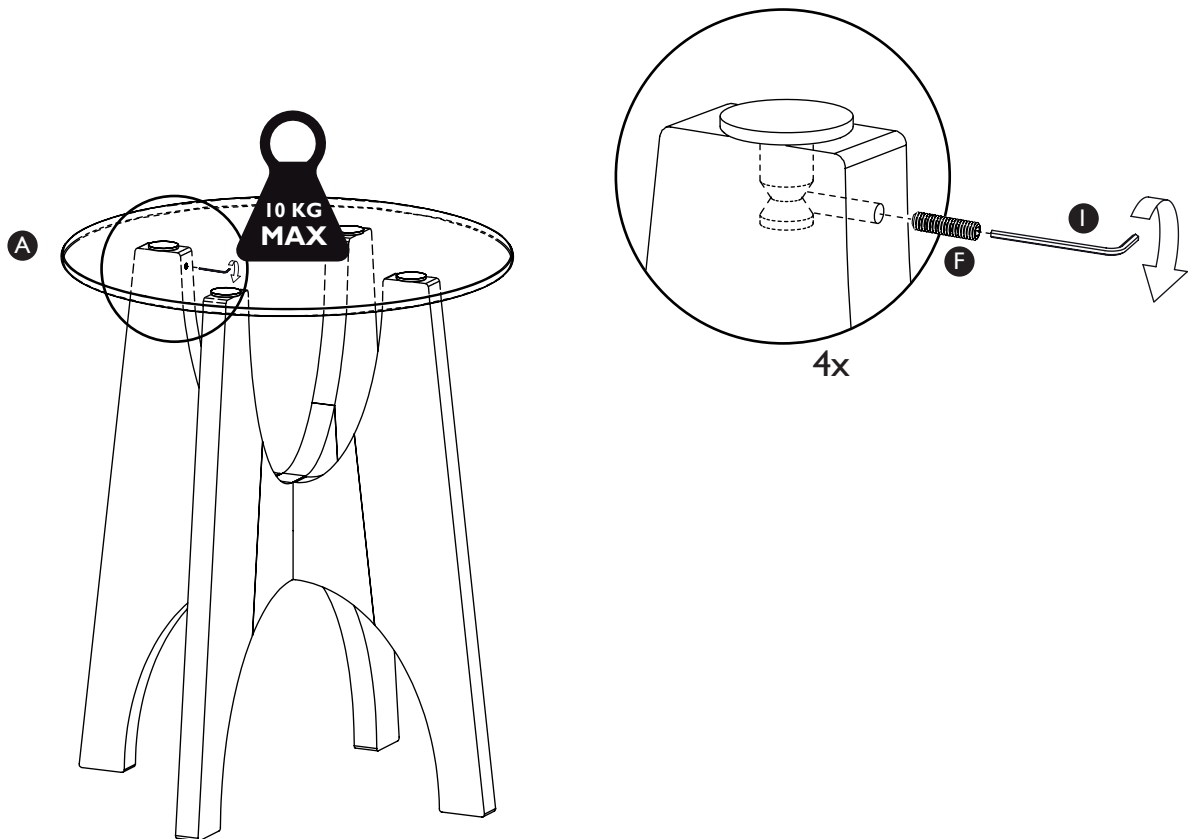
Whilst 1 person holds the glass top (part A) the second person should align the holes on top of the leg with the bosses on the glass top. Carefully lower the glass top into position.



Step by step assembly instructions

Step Five

Carefully locate the grub screws (part F) as shown below. Tighten using the allen key (part I) by turning clockwise. Repeat for all 4 bosses on the glass top.



Care and Maintenance

Wood furniture

- Wood displays different grain patterns depending on which way they cut - for example, the 'medullary rays' which can appear as a mark of good quality timber - these are just characteristics of the natural beauty of the wood. Some furniture is also deliberately aged and rustic.
- All timber surfaces will change colour and mellow over time. New furniture will initially vary in shade from items that have been previously purchased.

How to care for your glass and wood furniture

- Furniture with a hard lacquer, wax polish or painted surface should be dusted with a dry cloth.
- Spray polishes are best avoided as they contain silicones which may spoil the furniture's surface by building up over time.
- Make sure all surfaces are protected from heat and liquids by mats and coasters. Wipe up spills immediately and ensure that a mat or pad is placed under paper if you are writing.
- Our furniture will endure most temperatures in the home but it is best to avoid placing furniture next to heat sources such as radiators or fires. Be particularly careful with solid wood as the lack of humidity caused by central heating can cause damage such as warping.
- For glass elements use glass cleaner or soapy water for cleaning, do not use anything abrasive as this may damage the surface of the product. **Note: Glass can scratch in normal use therefore please protect surfaces from scratches and marks by using mats and coasters.**

Safety instructions

- Never drag furniture when moving it, always lift it.
- Do not sit or stand upon this product.
- Periodically check all fixings to ensure none have come loose and re-tighten where necessary.
- Please take care when handling or moving the furniture, careless handling may cause damage or injury.
- Furniture can be dangerous if incorrectly installed. Assembly should be carried out by a competent person. No liability will be accepted for damage or injury caused by incorrectly installed or assembled furniture.
- It is recommended that before moving heavy objects to a new location they are completely dis-assembled to avoid personal injury or damage to the furniture. Please be careful to retain all fittings when doing this.

Glass furniture warning

- Do not place very hot or very cold items on glass surface(s) unless adequately thick table mats are used to prevent such items from coming into contact with the glass. • All timber surfaces will change colour and mellow over time. New furniture will initially vary in shade from items that have been previously purchased.
- Do not sit or stand upon glass surface(s).
- Do not use the glass as a chopping surface. Do not strike the glass with hard or pointed items.
- Tempered glass is designed to break into very small fragments for customer safety. On very rare occasions including when not in direct use, glass can break for the following reasons: -Surface damage and scratches (protect the surface with mats during use). Please take extra care to ensure no heavy or sharp objects impact this product. -Extremes of temperature. Avoid areas where the item can become very hot and cold.

Experiencing problems with your new product?

Before calling customer service, please have your item's batch code ready.

You can find the batch code on the back or bottom of your product as below shown.

(example batch code: I90510)

