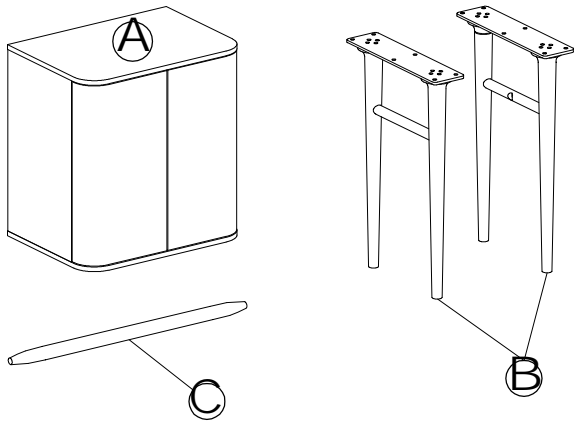


# ASSEMBLY INSTRUCTIONS CABINET MORRISON

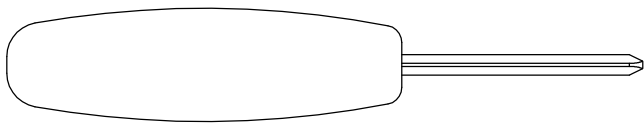


## Parts Check List

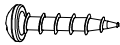
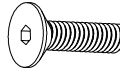

Code	Components	Qty
Ⓐ	BODY	x01
Ⓑ	LEG FRAME	x02
Ⓒ	STRETCHER	x01

· PLEASE DO NOT DISCARD ANY OF THE PACKAGING UNTIL YOU HAVE CHECKED ALL THE PARTS AND THE PACKS OF HARDWARE.  
· BEFORE YOU BEGIN TO ASSEMBLE YOUR NEW PIECE OF FURNITURE, PLEASE CHECK TO ENSURE THAT ALL PARTS HAVE BEEN SUPPLIED.  
· FOLLOW INSTRUCTIONS CLOSELY AS DEVIATION FROM THEM MAY VOID YOUR WARRANTY AND PRESENT A POSSIBLE SAFETY RISK.  
· IT IS RECOMMENDED THAT ASSEMBLY IS DONE ON A SOFT SURFACE LIKE CARPET TO AVOID ANY DAMAGE.  
· PERIODICALLY CHECK AND RE-TIGHTEN ANY FASTENERS. WIPE DOWN ALL SURFACES WEEKLY WITH A CLEAN CLOTH. DO NOT CLEAN ANY SURFACES WITH HARSH ABRASIVES OR CHEMICALS.

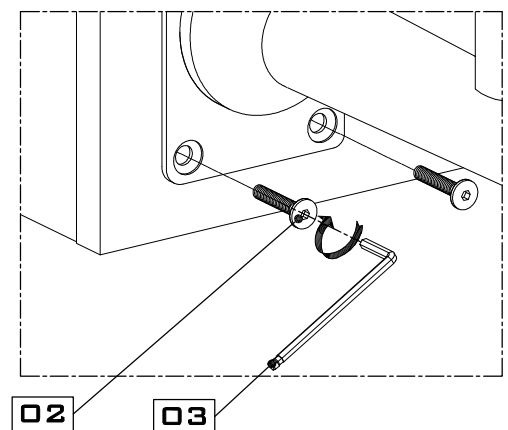
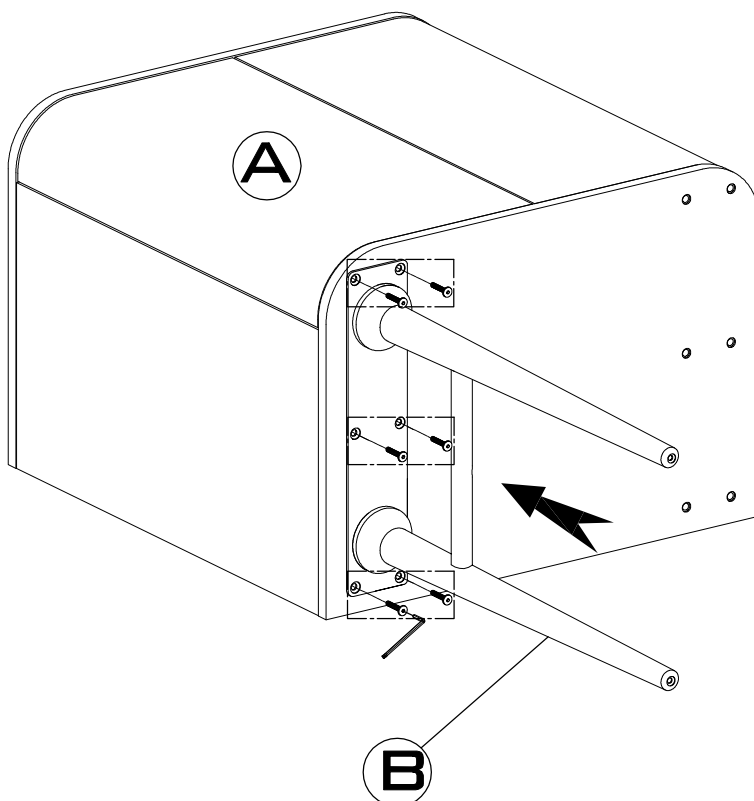
Phillips head screwdriver tool needed  
(Not included)



## Fittings Check List

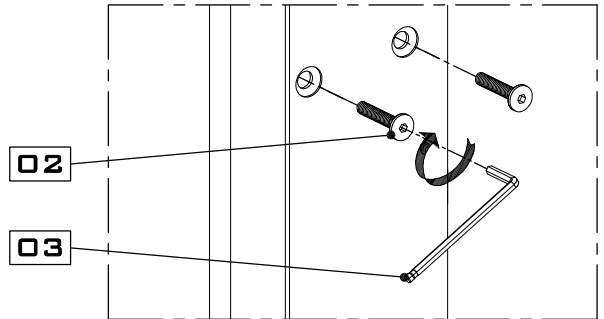
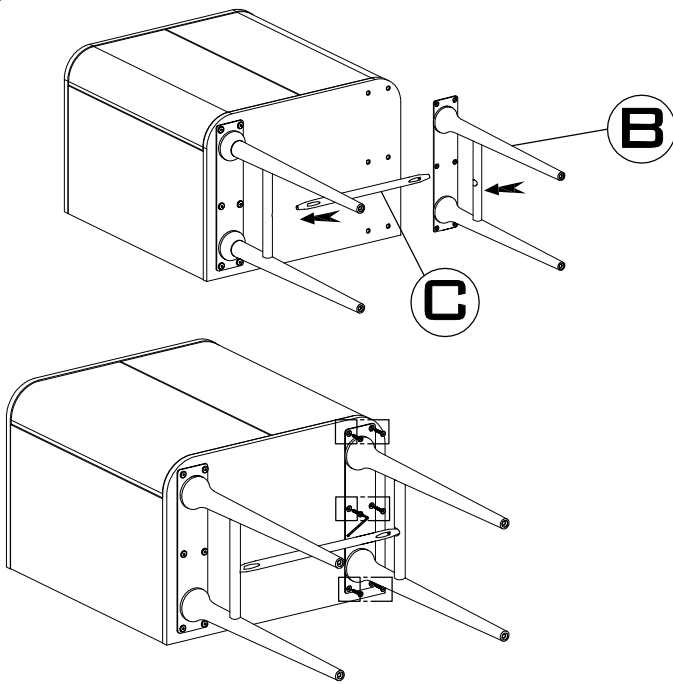
Code	Description		Qty
01	Screw		x02
02	Bol t		x12
03	All en key		x01

1.

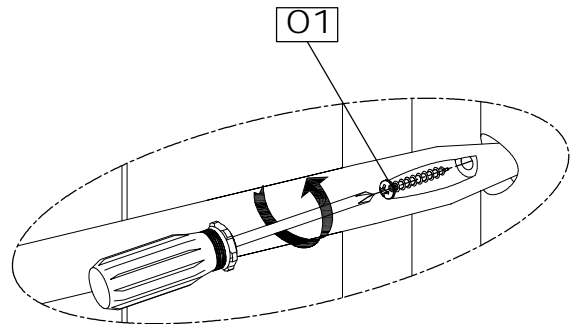
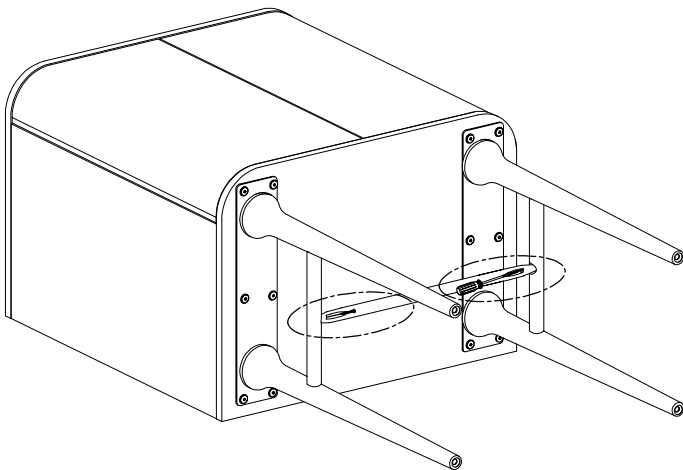


# ASSEMBLY INSTRUCTIONS CABINET MORRISON

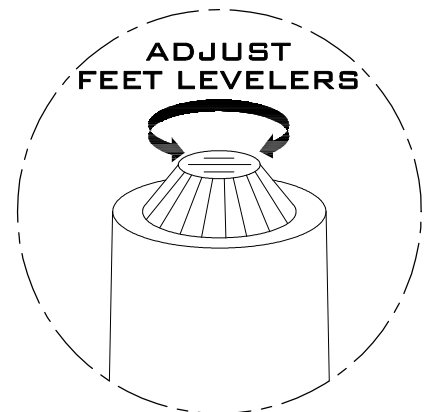
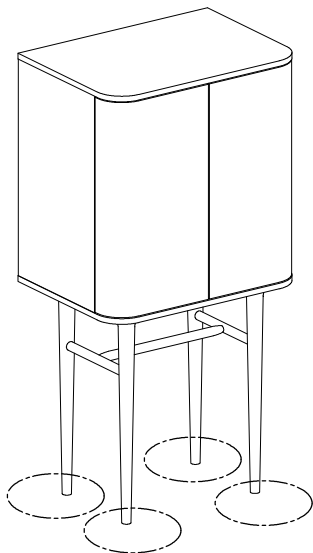
2.



3.



4.



## FURNITURE TIPPING RESTRAINT FOR CABINET MORRISON

Young children may be injured by tipping furniture and the use of a tipping restraint is highly recommended.

When properly installed, this restraint could provide protection against the unexpected tipping of furniture due to small tremors, bumps or climbing. We recommend mounting this restraint to a wall stud.

**WARNING:** This product is only a deterrent. It is not a substitute for proper adult supervision.

### TIPPING KIT CHECK LIST

CODE	COMPONENT	QTY
01	PLASTIC STRAP	2
02	SCREW	4
03	NYLON WALL PLUG	4
04	PLASTIC BRACKET	2

SCREWDRIVER TOOL NEEDED  
(NOT INCLUDED)

### Installation Instruction:

1. Determine the final position of the furniture piece. Mark location on the wall approximately 2" below the plastic bracket (04) mounted to the back of the furniture.
2. Drill a starter hole into the wall stud. If wall stud is not available, drill a hole into the wall and insert nylon wall plug (03). Gently tap plug until the flange of the plug is flush with the wall.
3. Attach a second plastic bracket (04) by inserting and securing the screw (02) to the wall. Refer to picture B.
4. Align the two plastic brackets (04).
5. Thread the plastic strap (01) through both plastic brackets (04) and tighten until snug.
6. Check to make sure that the plastic brackets (04) are firmly installed the plastic strap (01) is secure.
7. Repeat steps 1-6 at other end of furniture piece.

