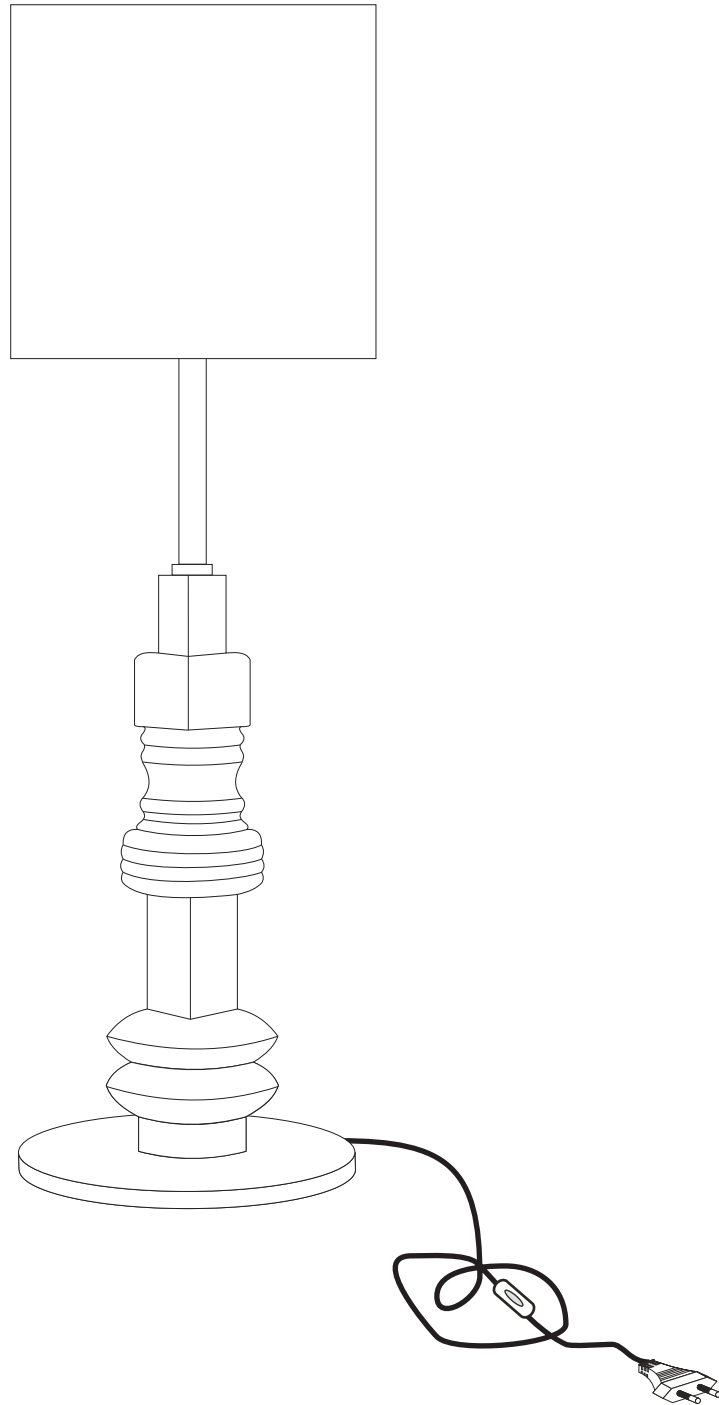
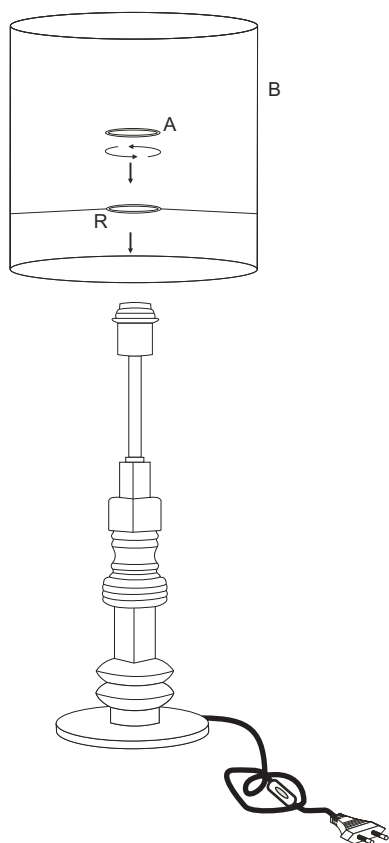


# ASSEMBLY INSTRUCTIONS

zUiver<sup>o</sup>



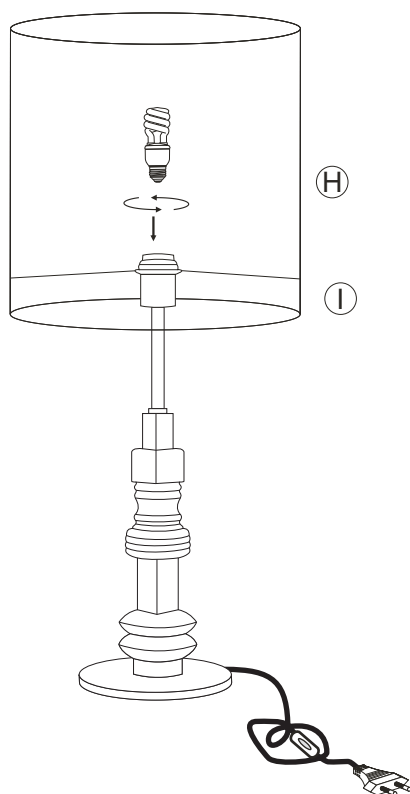
## STEP 1



Place the lamp shade on the bulb holder with help of the mid-ring in shade

After place the lamp shade on the bulb holder tight the plastic ring on the bulb holder to fix the lamp shade.

## STEP 2



After fitting the shade and fitting the lamp shade please ensure that is tightly locked.

Secure the bulb in the bulb holder.

Secure the Light Bulbs (H) E27 into the bulb holder (I).

The lamp is ready to use.

To prevent the risk of fire, do not use bulb with wattage greater than 23W CFL, 25W LED & 40W Regular Bulb.

### INSTRUCTIONS:

\* IF THE EXTERNAL FLEXIBLE CABLE OR CORD OF THIS TABLE LAMP NEEDS TO BE CHANGED IT SHOULD BE REPLACED BY A QUALIFIED ELECTRICIAN.