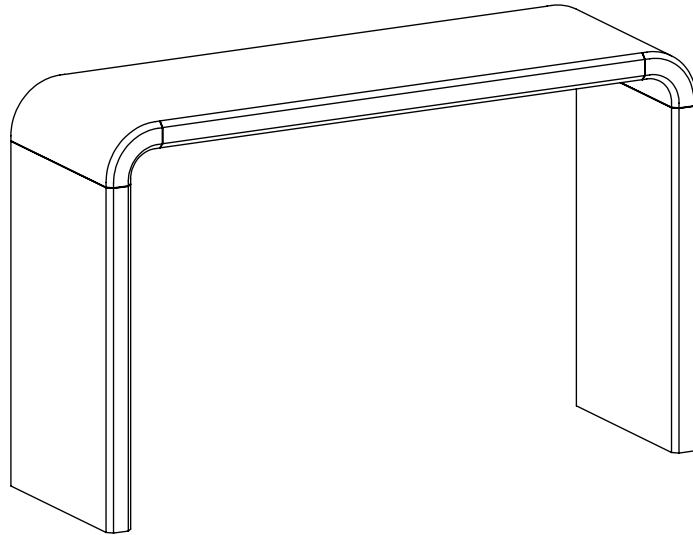


ZUIVER^o

Thank you for purchasing this Console Table Brave. Please read the instructions carefully before use to ensure safe and satisfactory operation of this product.



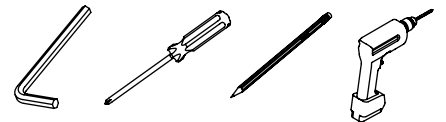
Pre-assembly preparation

Please ensure instructions are read in full before attempting to assemble this product.

People to assemble



Tools required



Please check the pack contents before attempting to assemble this product. A full checklist of components is given in this leaflet. If any components are missing, please contact the retailer from whom you bought this product.

This product is **HEAVY**, it should be assembled as near as possible to the point of use. **TAKE CARE WHEN LIFTING** to avoid personal injury and (or) damage to the product.

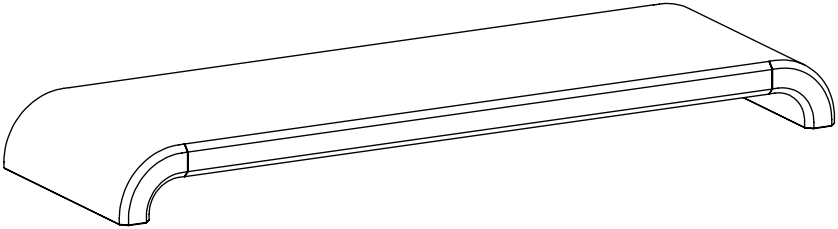
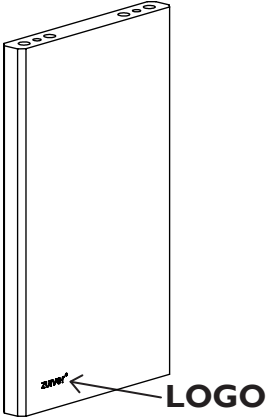
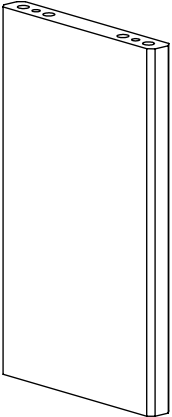
This product takes approximately **20 MINUTES** to assemble with **2 PEOPLE**.

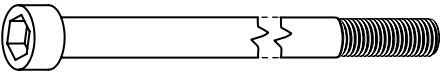
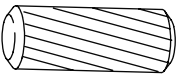
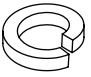
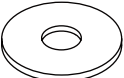

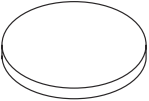
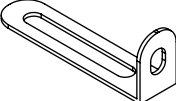
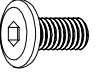


The fittings pack contains **SMALL ITEMS** which should be **KEPT AWAY FROM YOUNG CHILDREN**.

Read this leaflet in full before commencing assembly.

PLEASE KEEP THESE INSTRUCTIONS FOR FUTURE REFERENCE

Fittings and parts checklist

Parts checklist				
1	Table top x1			
2	Left leg panel x1		3	Right leg panel x1
				

Fitting checklist				
A	Long bolt x4 M8x667mm			
B	Wooden dowel x8 Dia20x50mm		C	Spring washer x4 M8
				
D	Flat washer x4 Dia30x2mm		E	Allen key #5 x1
				
F	Felt pad x4 Dia40x2mm		G	Wall bracket x2 70x18x27mm
				
H	Short bolt x2 M6x20mm		I	Small flat washer x2 Dia12x1mm
				
J	Allen key #4 x1			

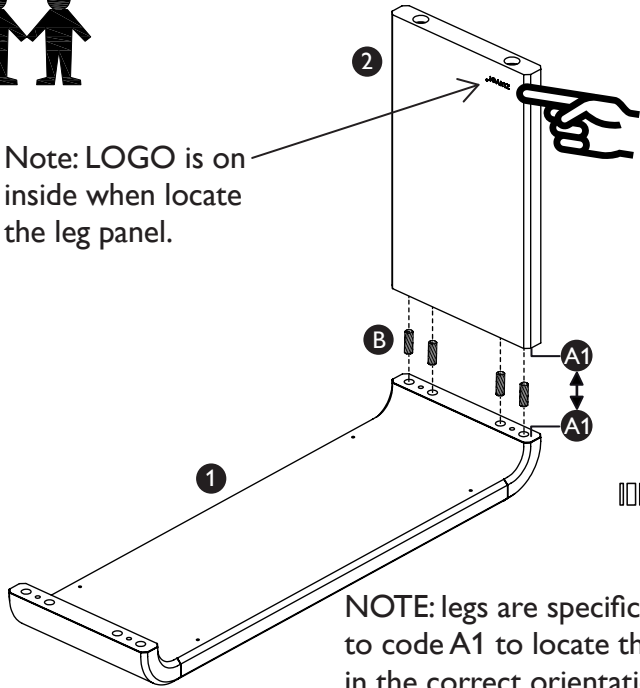
Step by step assembly instructions

Step 1

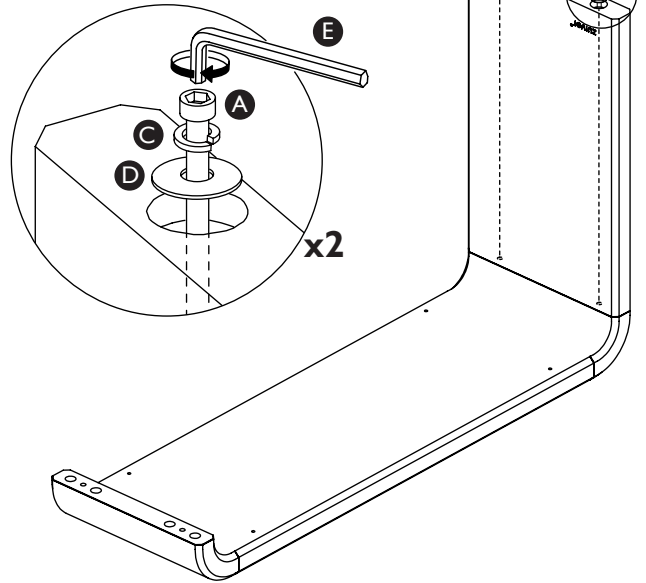
With 2 people, carefully place the table top (part 1) upside down on a soft, flat surface near where the unit will be used. Locate the left leg panel (part 2) with 4x wooden dowels (part B) then secure using the long bolt (part A) with spring washer (part C), flat washer (part D) and the allen key (part E), as shown below.



Note: LOGO is on inside when locate the leg panel.



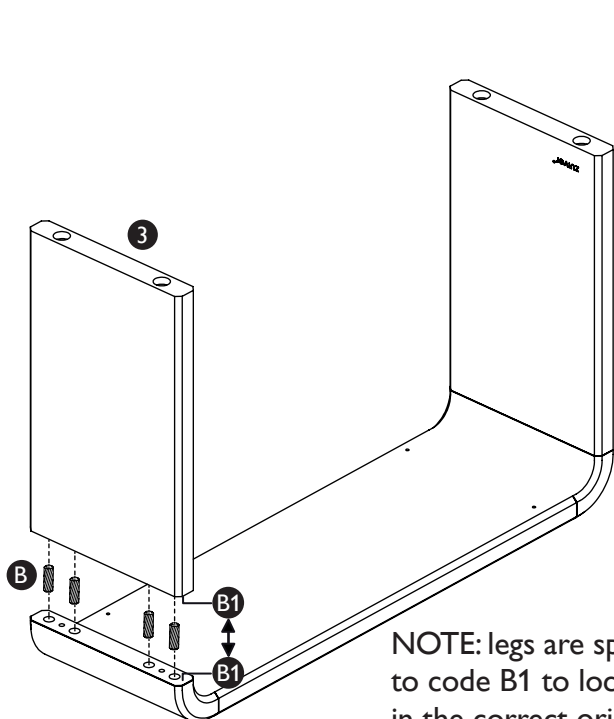
To speed up assembly, first screw in the long bolts by hand and then tighten fully using the allen key.



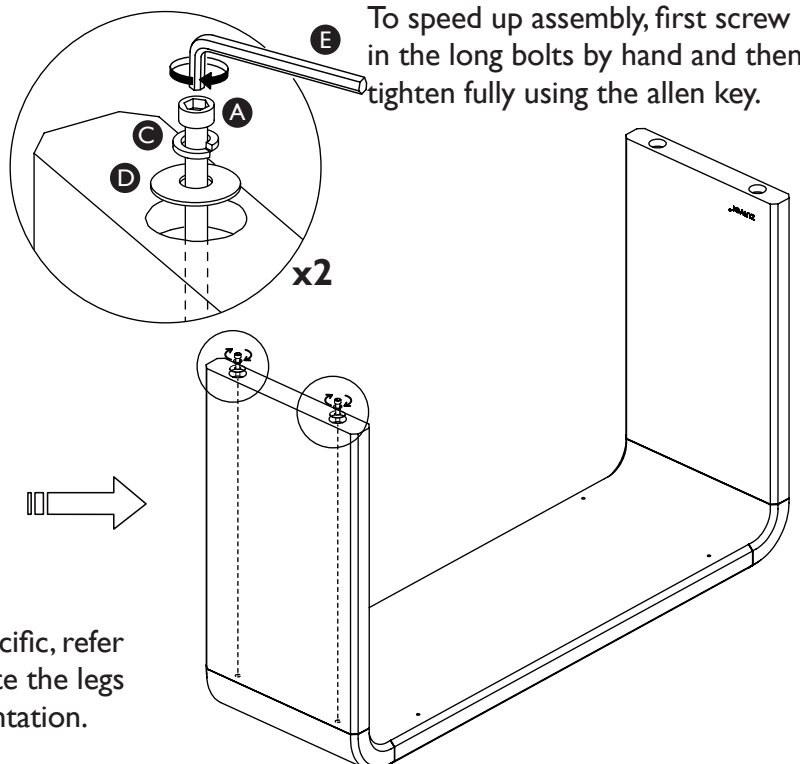
NOTE: legs are specific, refer to code A1 to locate the legs in the correct orientation.

Step 2

Locate the right leg panel (part 3) with 4x wooden dowels (part B) then secure using the long bolt (part A) with spring washer (part C), flat washer (part D) and the allen key (part E), as shown below.



To speed up assembly, first screw in the long bolts by hand and then tighten fully using the allen key.



NOTE: legs are specific, refer to code B1 to locate the legs in the correct orientation.

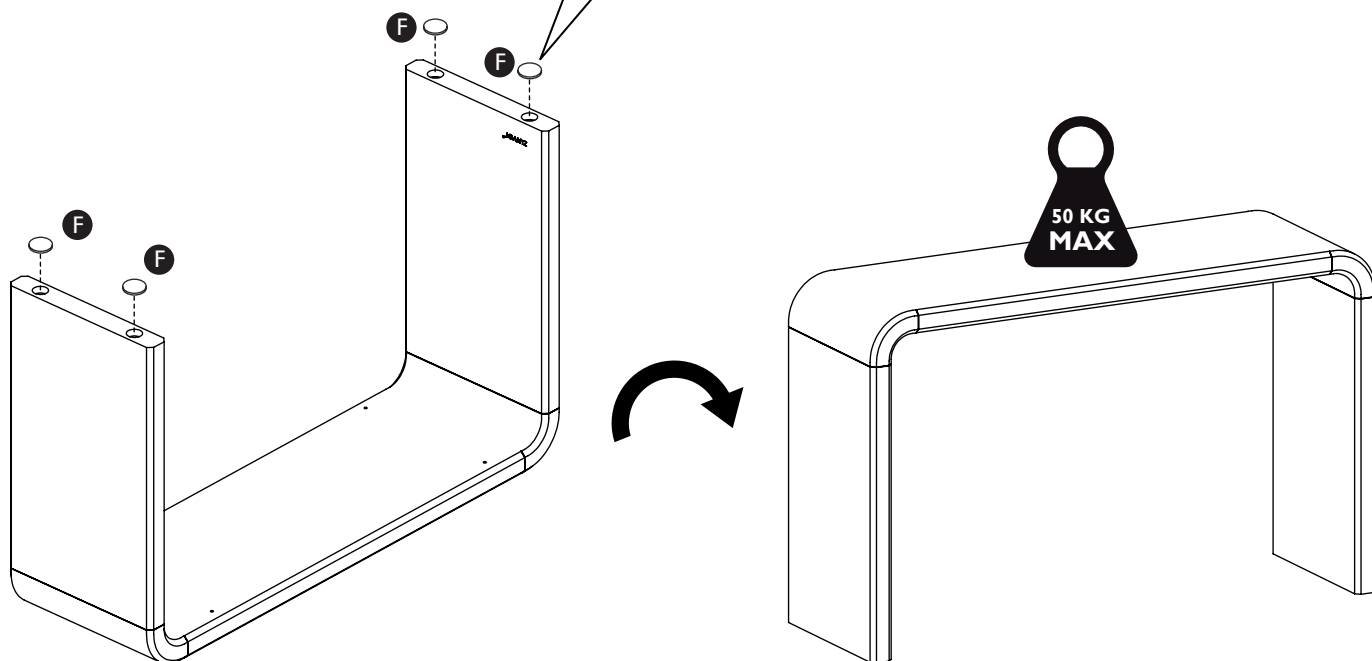
Step by step assembly instructions

Step 3

With 2 people, carefully turn the table over and place in position.

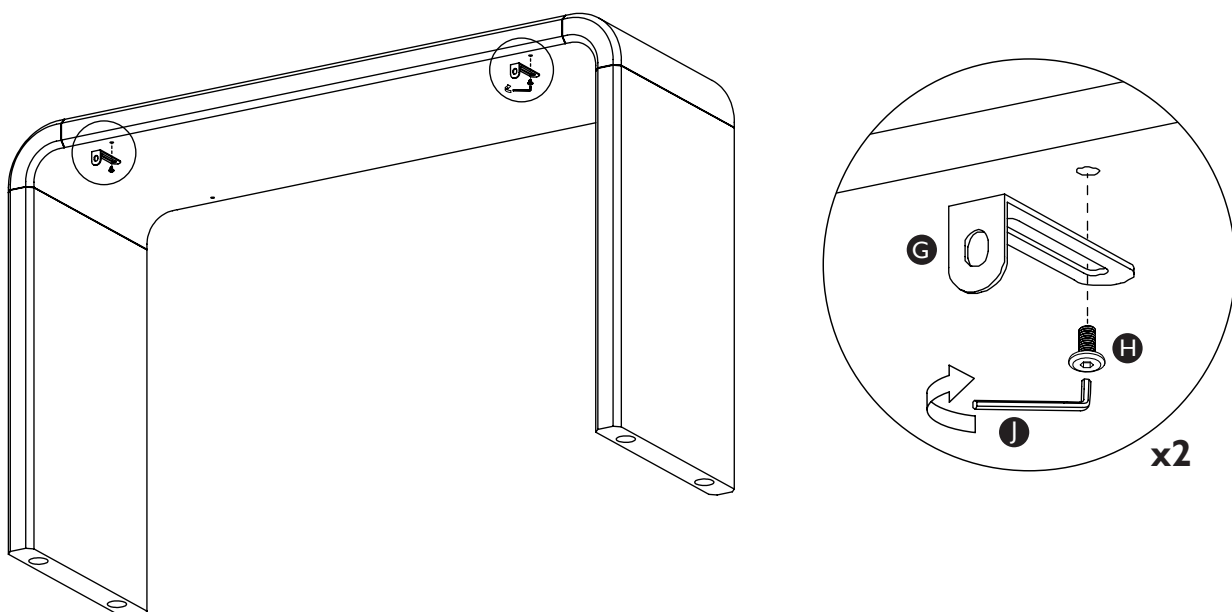


Advise applying the felt pads (part F) to the bottom of the leg panel to prevent damage to the floor and the product.



Step 4

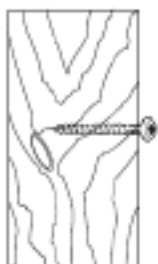
Secure the wall bracket (part G) to the underside of table top panel using the short bolt (part H) and the allen key (part J) as shown below.



Step by step assembly instructions

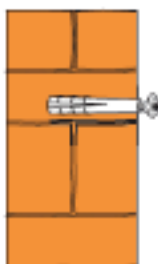
Wall fixing - if in doubt seek professional advice

Please ensure to use the correct size rawl plug when installing the wall bracket to a wall. If your wall is cavity construction or wood you may need to seek appropriate wall fixings.



Wood

If fixing to wood make sure that it isn't chipboard as screws can easily pull away from the core structure.



Brick or Masonry

Use an appropriate wall plug provided you are sure your wall is sound.



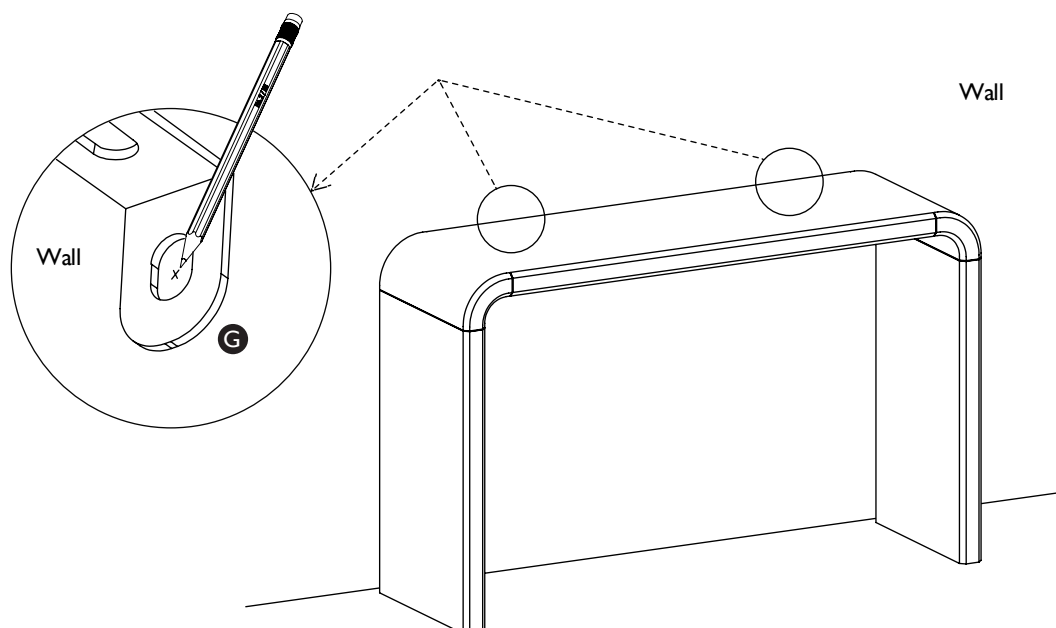
Cavity wall

Special toggle wall plugs are needed. Seek expert advice.

Step 5

Move the table into its location of intended use next to a wall. The wall bracket (part G) may also require some adjustment to fit correctly depending on any obstructions behind the table such as skirting boards, picture rails etc.

With a pencil (not included) accurately mark the position of the screw holes onto the wall. Now carefully move the table away from the wall to create space for drilling.

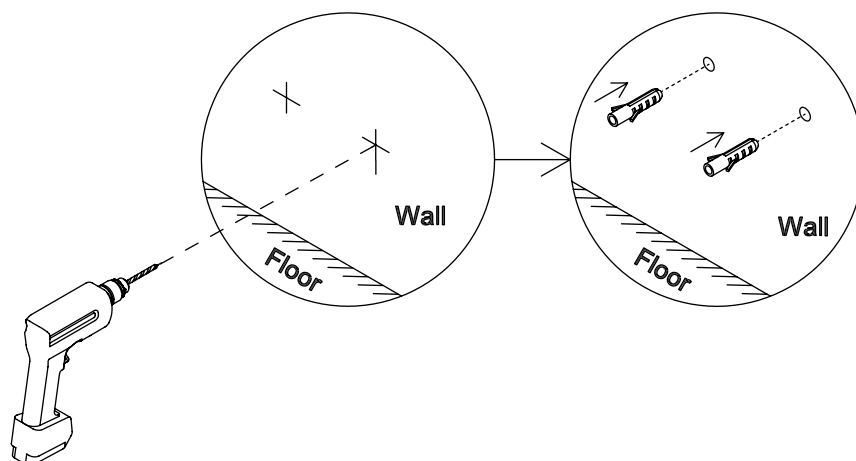


Step by step assembly instructions

Step 6

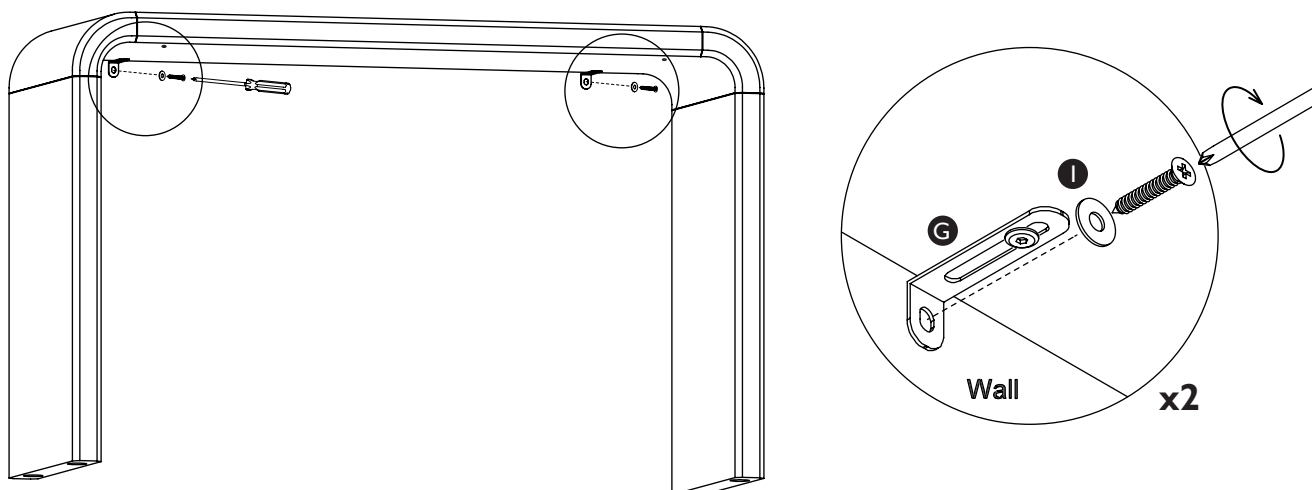
Before drilling, ensure the size of holes will be correct to fit the rawl plug (not included). Drill the hole according to the marked position. Push the rawl plug (not included) into position as shown below.

Warning: Ensure the area to be drilled is free from hidden electrical wires, water and gas pipes.



Step 7

Secure the wall brackets (part G) to the wall using the washers (part I) and screws (not included). Tighten with the screwdriver (not included).



WARNING!

In order to prevent overturning, this product must be used with the wall attachment device provided.

Care and Maintenance

Wood furniture

- Wood displays different grain patterns depending on which way they cut - for example, the 'medullary rays' which can appear as a mark of good quality timber - these are just characteristics of the natural beauty of the wood. Some furniture is also deliberately aged and rustic.
- Wood veneers also allow distinctive patterns to be created on flat surfaces, such as table tops and drawer fronts by the way the slivers are arranged.
- All timber surfaces will change colour and mellow over time. New furniture will initially vary in shade from items that have been previously purchased.

How to care for your oiled wood furniture

Taking care of a wooden tabletop finished with oil is essential to maintain its beauty and durability. Oil finishes enhance the natural beauty of the wood and provide protection.

Here are some care instructions to ensure your tabletop remains in great condition:

- Wipe spills immediately with a clean, damp cloth to prevent stains or water rings. Do not leave liquids like red wine, coffee, acid juice etc. onto the tabletop, wipe this off promptly.
- Protect the surface from heat by using coasters or pads to protect the table from hot cookware and dishes.
- Use placemats or tablecloth to have an extra layer of protection against scratches.
- Be gentle when cleaning wood by using a well-wrung damp soft cloth. Dry the wood immediately.
- Don't use harsh or abrasive chemicals, polishes or sprays.
- Our furniture will endure most temperatures in the home but it is best to avoid placing furniture next to heat sources such as radiators or fires. Be particularly careful with solid wood as the lack of humidity caused by central heating can cause damage such as warping.

By following these care instructions, your oiled furniture piece should remain beautiful and functional for many years to come. Remember that regular maintenance is key to preserving the wood's natural beauty and integrity.

Safety instructions

- Never drag furniture when moving it, always lift it.
- Do not sit or stand upon this product.
- Periodically check all fixings to ensure none have come loose and re-tighten where necessary.
- Please take care when handling or moving the furniture, careless handling may cause damage or injury.
- Furniture can be dangerous if incorrectly installed. Assembly should be carried out by a competent person. No liability will be accepted for damage or injury caused by incorrectly installed or assembled furniture.
- It is recommended that before moving heavy objects to a new location they are completely dis-assembled to avoid personal injury or damage to the furniture. Please be careful to retain all fittings when doing this.

PLEASE READ!

This veneered product top has a natural open grain oiled finish. Please read the care guide thoroughly. We recommend using mats and wiping up spilled liquids immediately.

Experiencing problems with your new product?

Before calling customer service, please have your item's batch code ready.

You can find the batch code on the back or bottom of your product as below shown.

(example batch code: I90510)

