

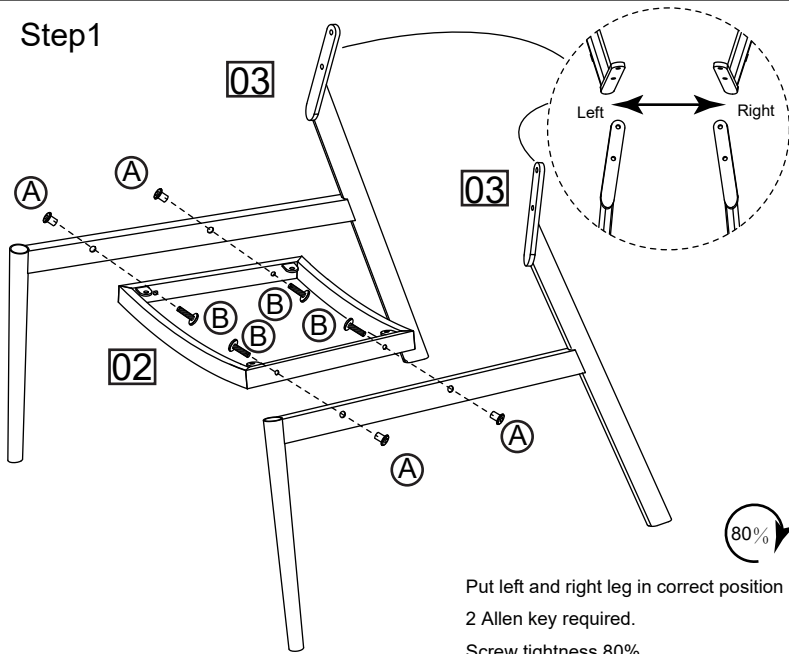
LOUNGE CHAIR SPIKE ALL WEBBING

ZUIVER^o

COMPONENT PARTS

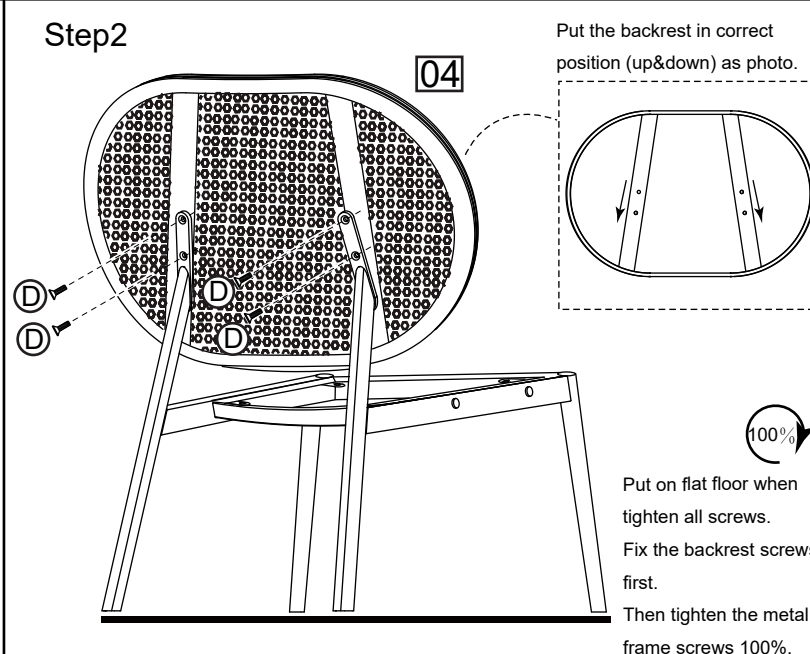
FITTINGS

Step1



Put left and right leg in correct position.
2 Allen key required.
Screw tightness 80%.

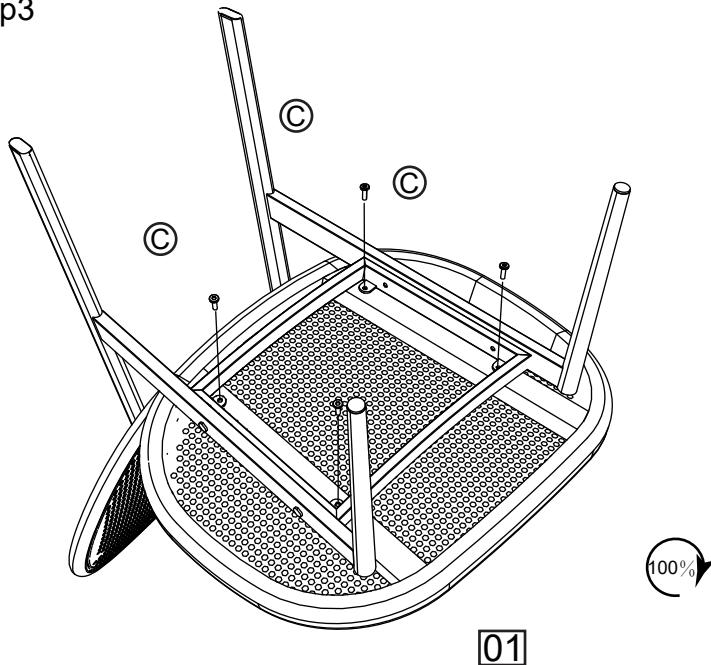
Step2



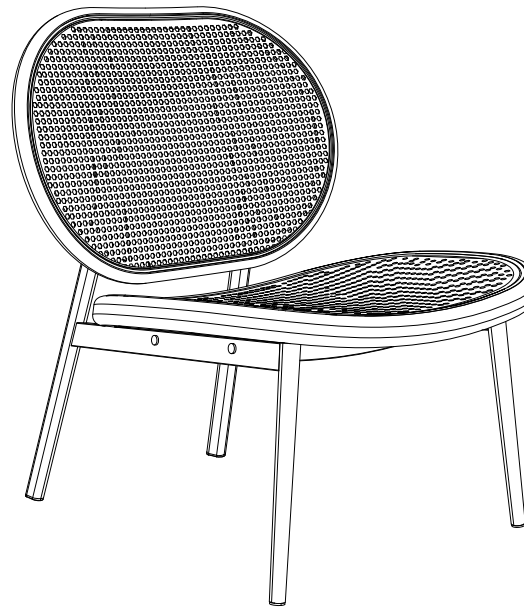
Put the backrest in correct position (up&down) as photo.

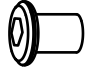

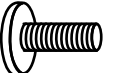

Put on flat floor when tighten all screws.
Fix the backrest screws first.
Then tighten the metal frame screws 100%.

Step3



Step4



- A

x4
(M6×12MM×φ8MM)
- B

x4
(M6×30MM)
- C

x4
(M6×20MM)
- D

x4
(M6×20MM)

COMPONENT CHECKLIST

PART	No.	Qty.	
Seat	01	1	<input type="checkbox"/>
Tray	02	1	<input type="checkbox"/>
Leg	03	2	<input type="checkbox"/>
Backrest	04	1	<input type="checkbox"/>

TOOLS REQUIRED

