



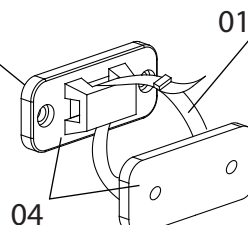
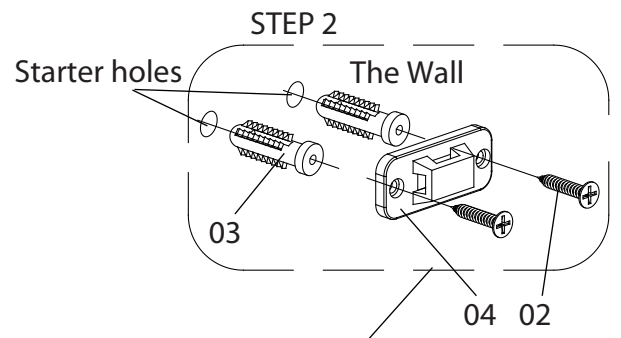
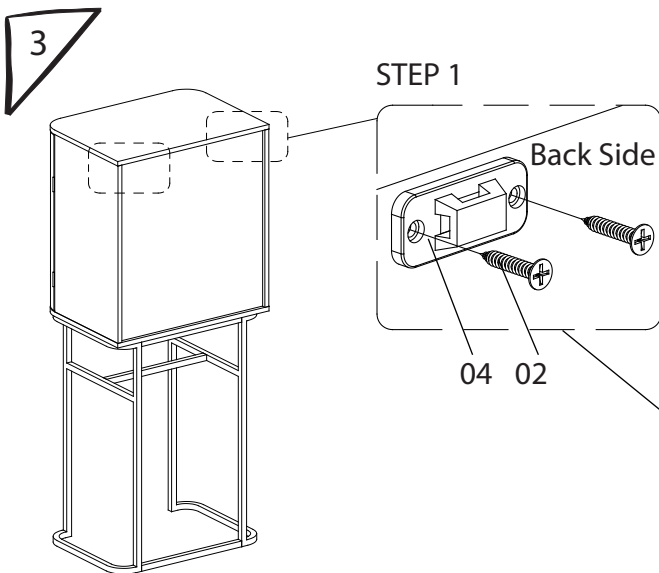
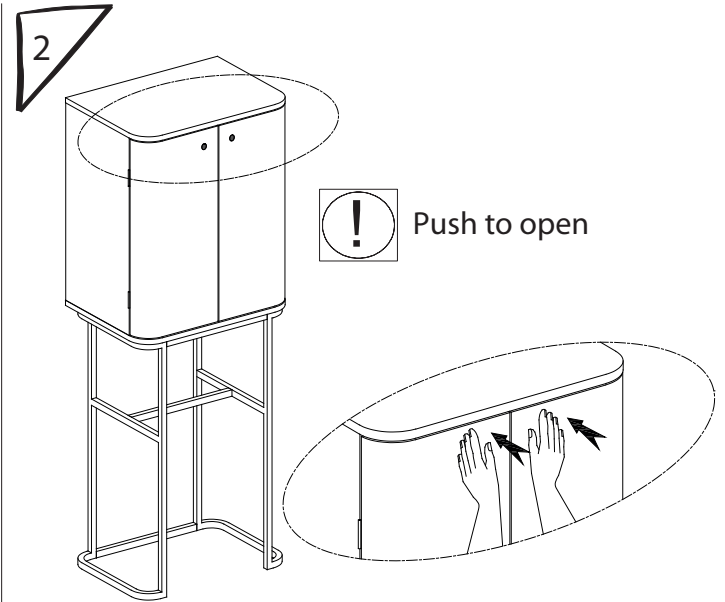
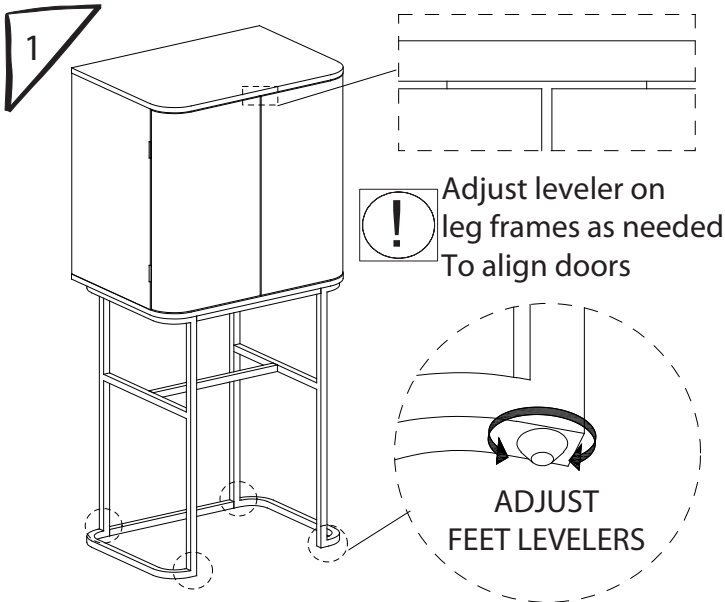
ASSEMBLY INSTRUCTIONS

BM41004 / BM41005 AVA MORGANA CABINET

Thank you for your purchase!

TIPPING KIT CHECK LIST

CODE	COMPONENT	QTY
01	Plastic Strap	2
02	Screw	8
03	Nylon Wall Plug	4
04	Plastic Bracket	4



BACK SIDE

STEP 3