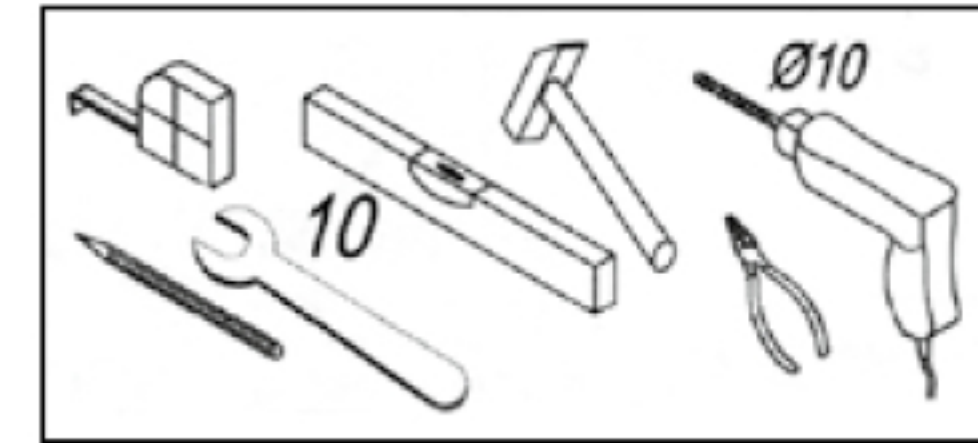


GB

WARRANTY

1. The warranty cover all the parts of the furniture that are damaged at the moment of the production.
2. The furniture with legible serial number is guaranteed for a period of 24 months commencing when the appliance is handed over to the first retail purchaser, which must be verified by purchase invoice or similar documentation.
3. No charge will be accepted due to installation or disassembly of furniture that where already damaged or not as ordered.
4. Are not covered by warranty:
 - All parts that may be damaged due to:
 - Negligence or carelessness in the usage.
 - Incorrect installation or maintenance.
 - Operational maintenance by unauthorized personnel.
 - Cleaning with chemicals or abrasives.
 - Shipping damage. Using of unoriginal spare parts.
 - Humidity.
 - Wrong Voltages. Inadequate ventilation in the bathroom.
 - Damage to lights or transformers due to application of wrong power
 - Or any other cause not attributable to the distributor.
5. Are also excluded from warranty services the technical assistance related to:”
periodic checking. Calibrations. Installation. Connection to water and electricity. Maintenance. Replacement of spare parts due to wear. Installation of non conform equipment Sinks with normal tolerance.
6. de guaranty covers only domestic usage of bathroom furnitures.
7. The company is not responsible of damages that can be cause to persons or domestic animals by the non-respect of the mounting instructions.
8. In each case it's excluded the replacement of the equipment as well as the extension of warranty following a damage. Will be guaranteed 5 Years only the spare parts sent to replace those damages.



GB

ASSEMBLY INSTRUCTIONS

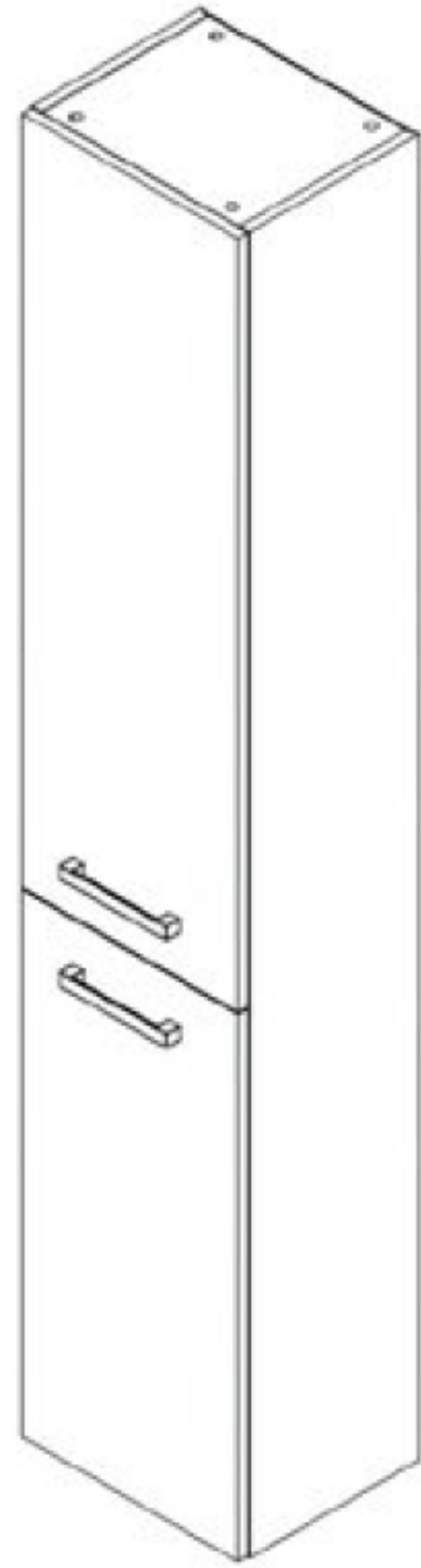
Bathroom furniture units are designed for a long service life in the bathroom. To ensure lasting enjoyment of our quality products, we would ask you to heed the following points; it is essential that a shower partition is installed if the furniture is located immediately next to the bathing / showering area

- ensure sufficient ventilation (windows , venting)
- avoid contact with water , remove splashes immediately

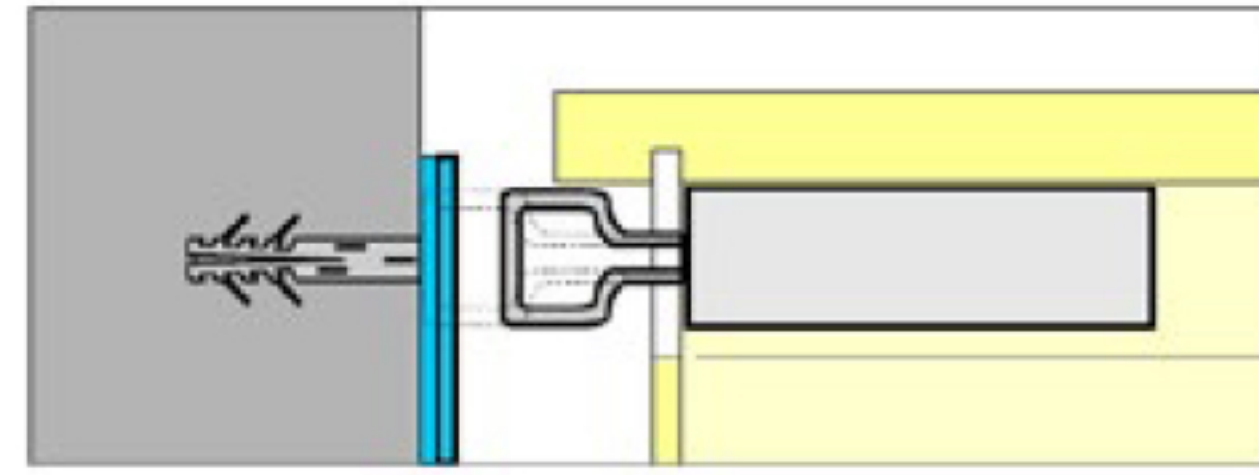
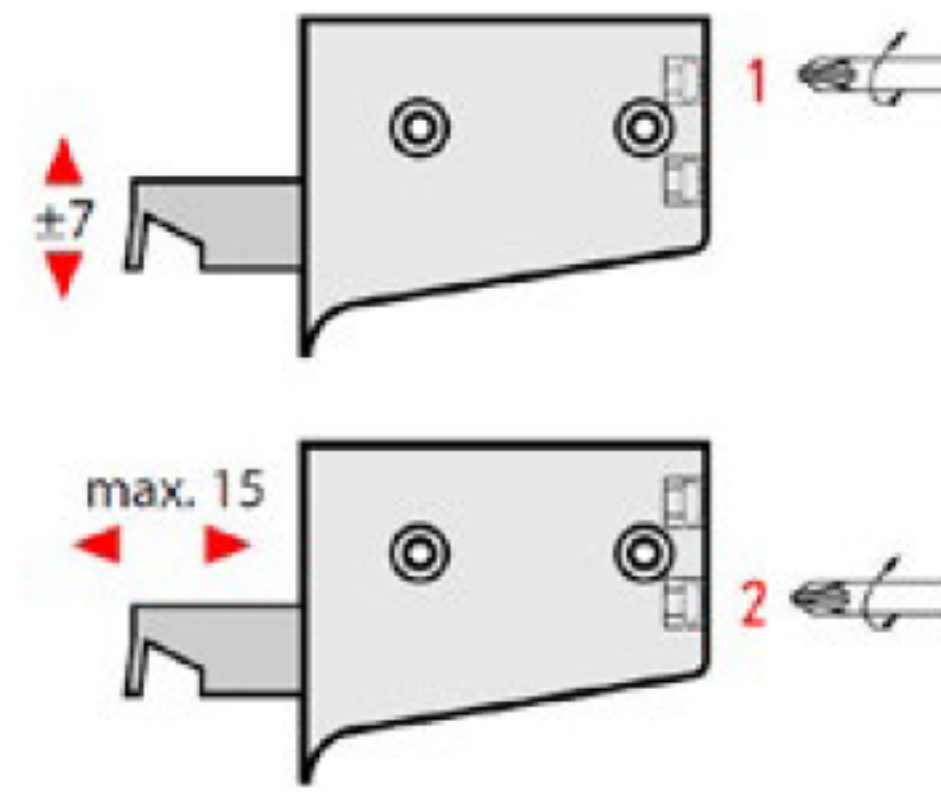
WARNINGS:

- no direct sun impact on furniture
- no direct wetting furniture
- Mounting only permitted by authorized persons.
- the fixing material (screws , wall plugs) is suitable for solid walls with sufficient load-bearing capacity please use special fittings in other situations
- use only fixing material from well-know producers.
- Electrical fittings should only be installed by experts in view of Part 701 of DIN 571100/VDE0100
- Hanger bolts are not included with delivery !
- The light must be at least in zone 3 (out of zone 2) away from the tub or the source of water drizzle.
- Installation, connection, and change must be performed by a qualified person.
- The electric bulb must not exceed the pres the prescribed power.
- It is forbidden to hold halogen and reflector bulbs with bare hands.

1.



2.



3.

