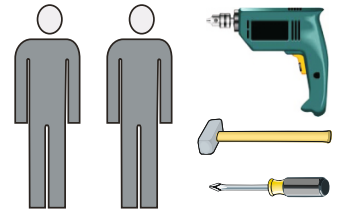
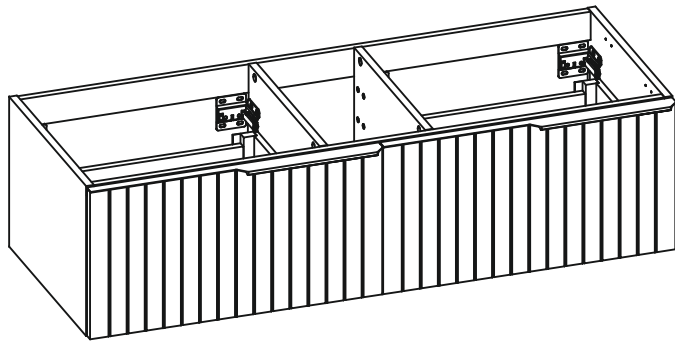


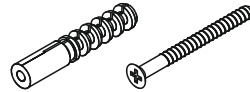
**120 2DR**  
**160 2DR**



Karta Gwarancyjna  
Warranty card  
Garantiekarte

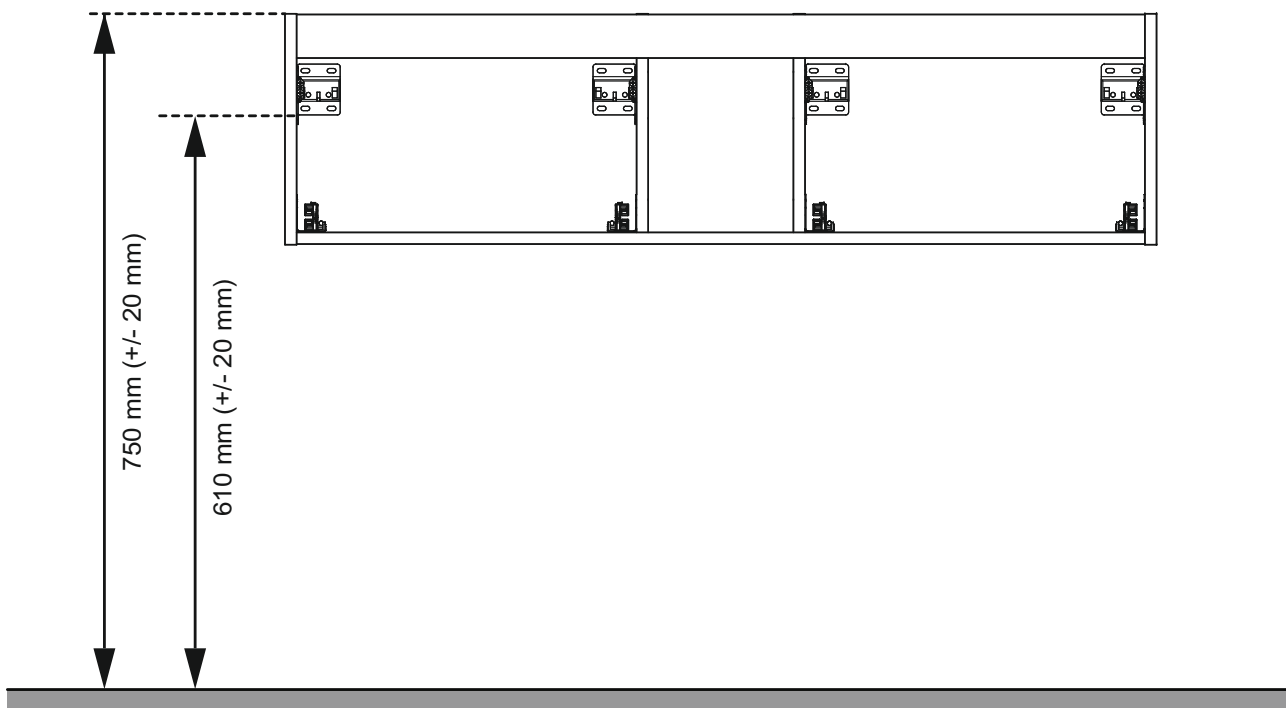


**x16**

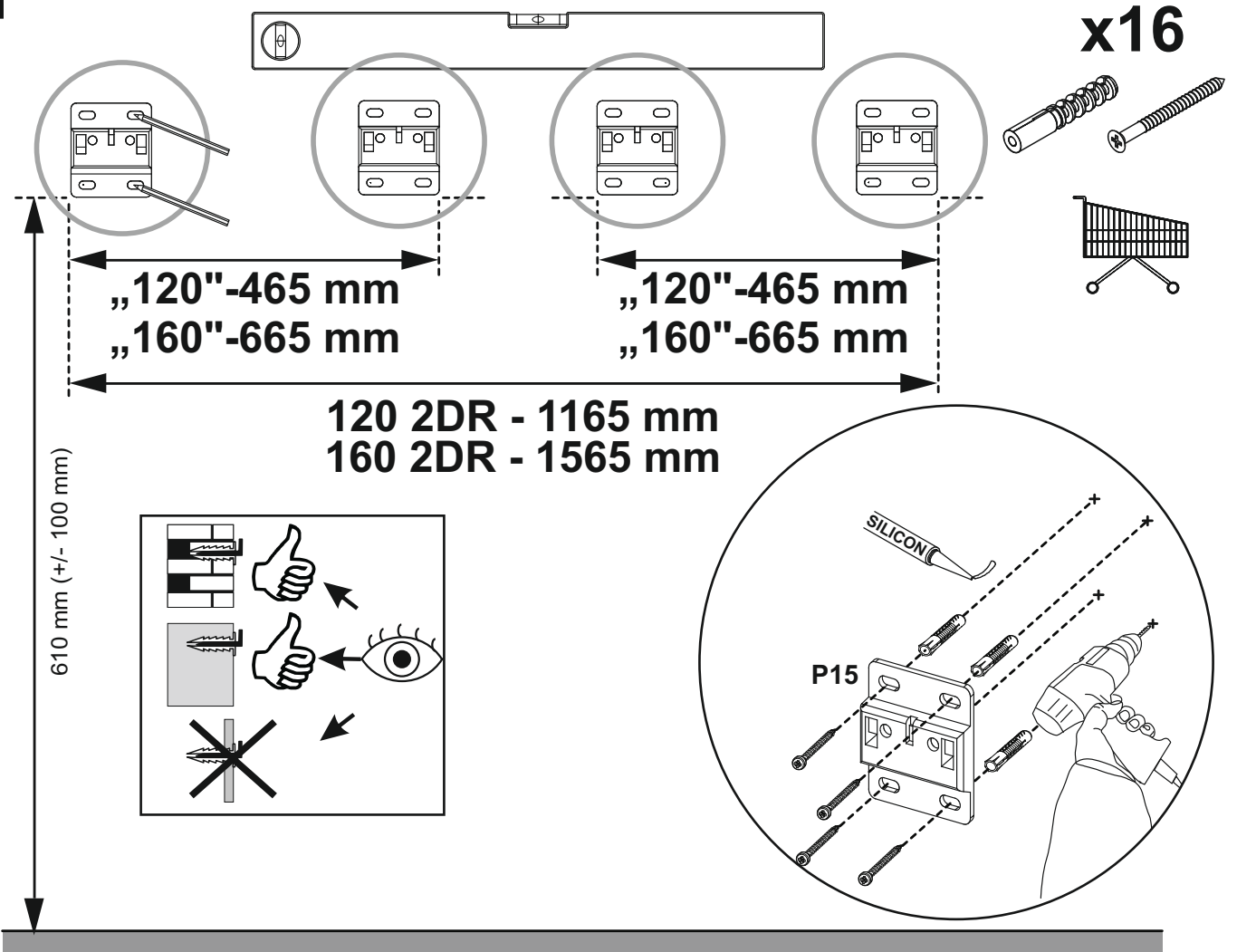


<b>R8</b>	<b>R1</b>
x 4	x 6*
<b>P0</b>	<b>P15</b>
x 6 <span style="margin-left: 20px;">∅ 5</span>	x 4

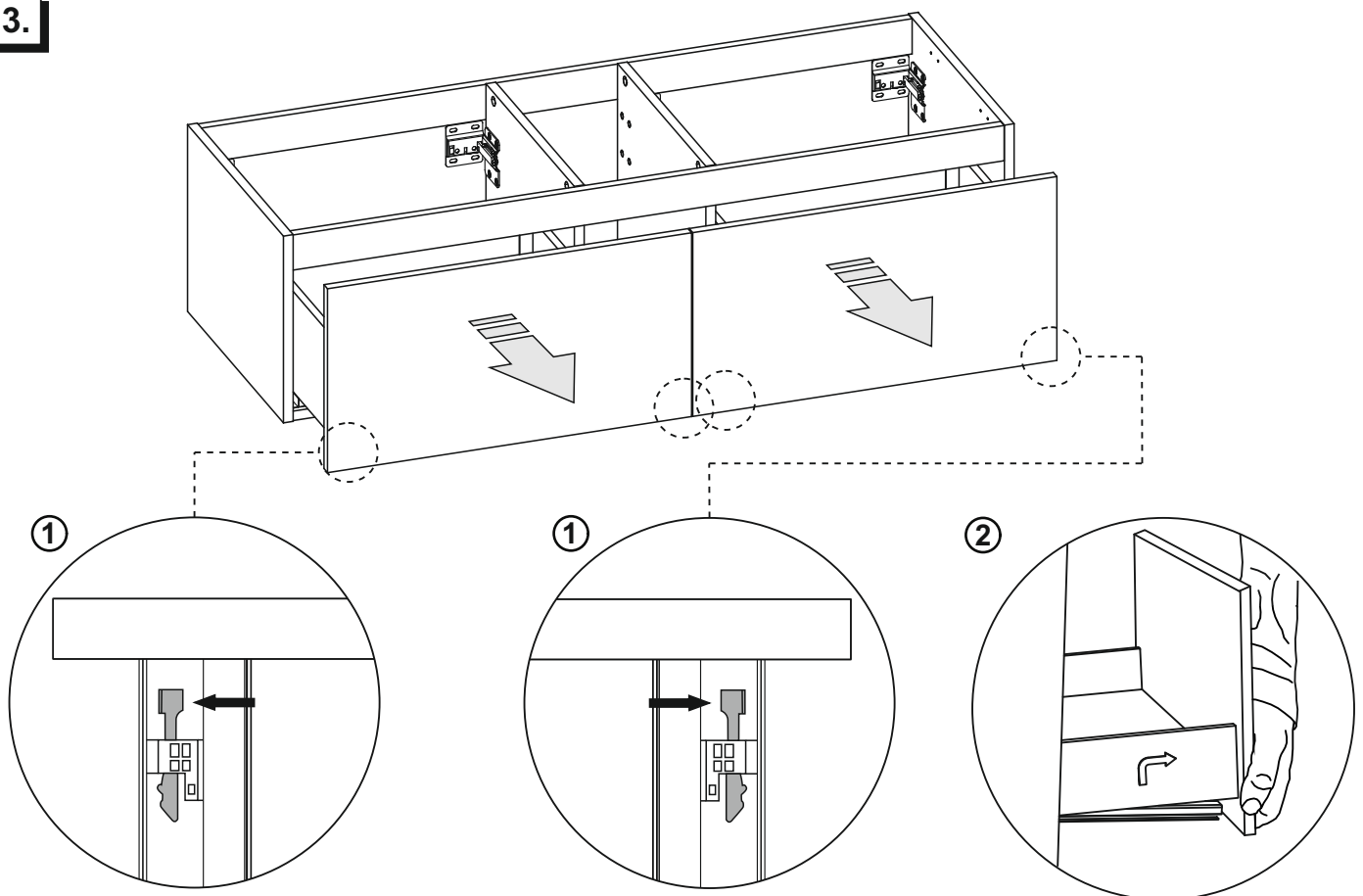
**01.**



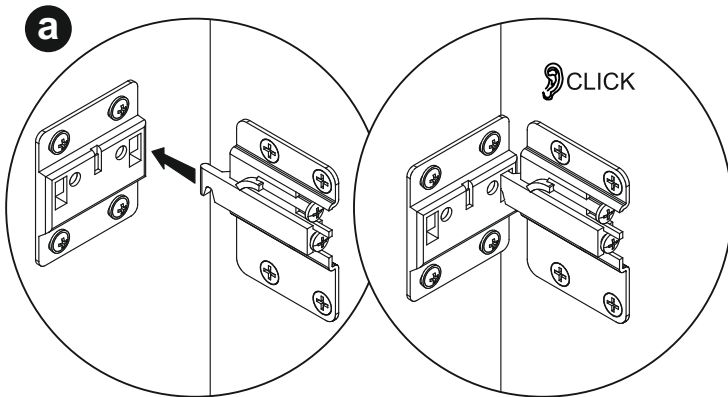
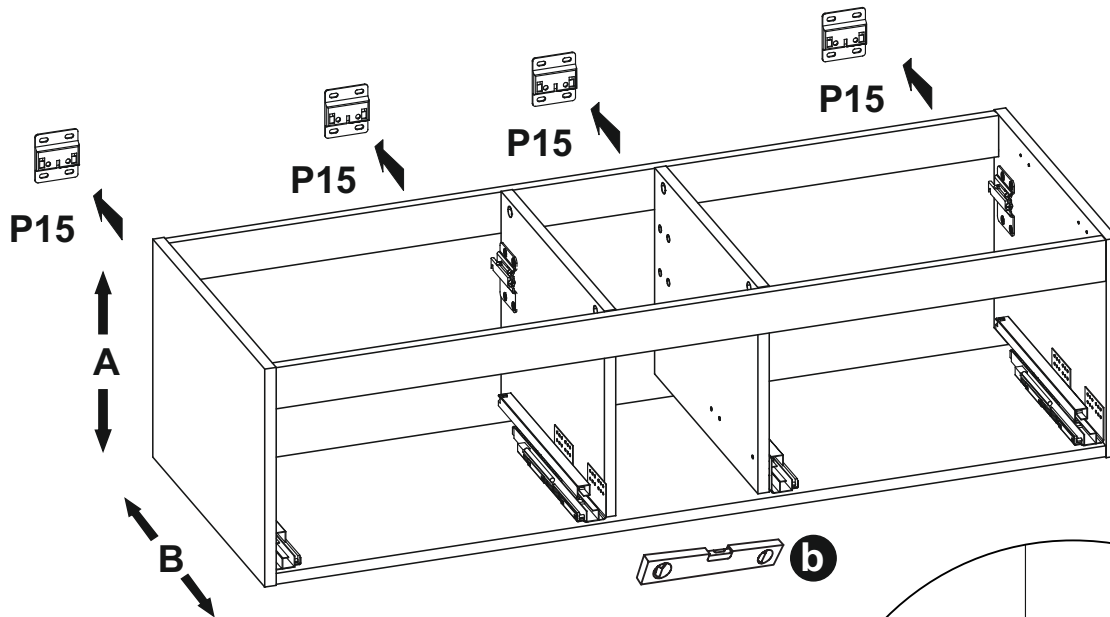
02.



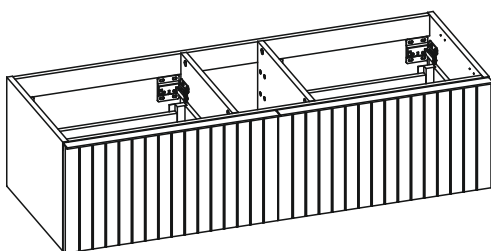
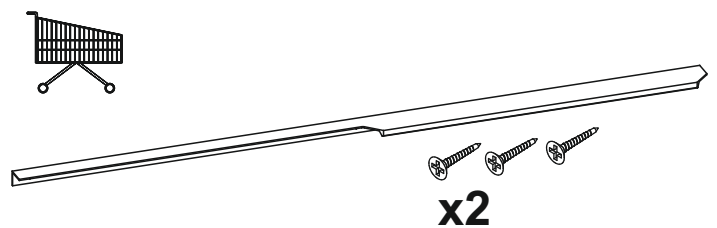
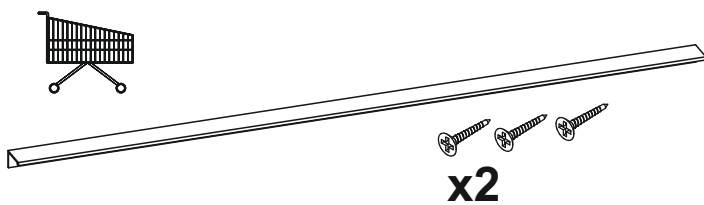
03.



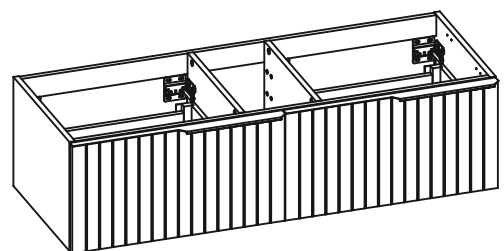
04.



05.

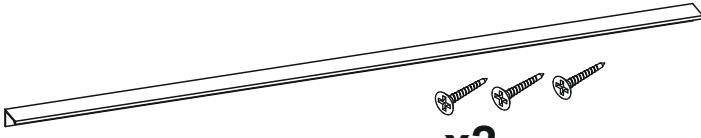


06.

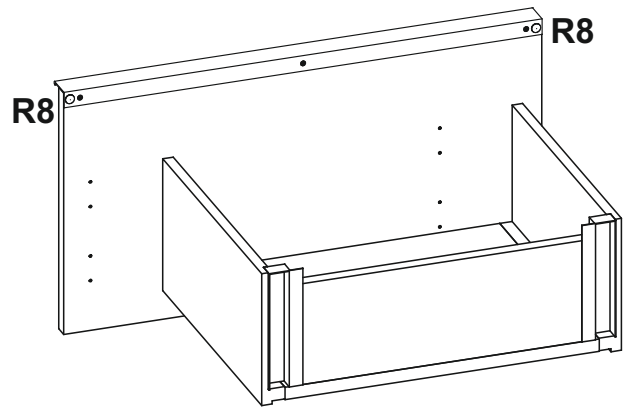
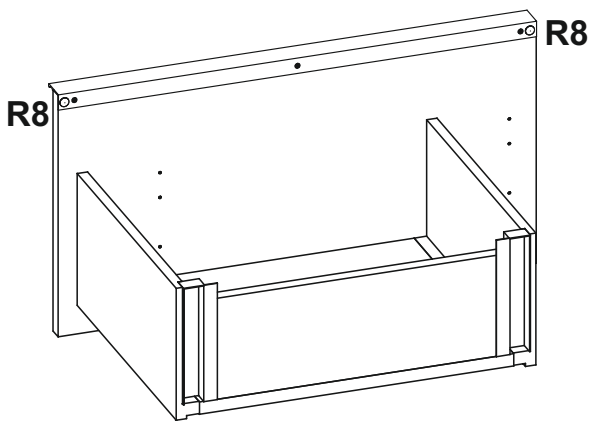
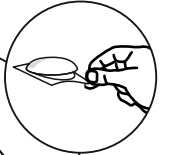
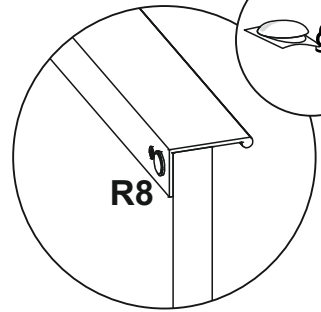
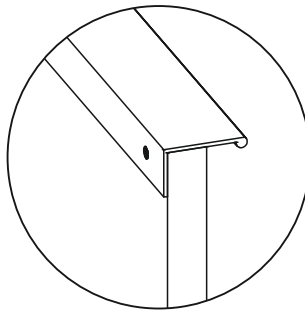
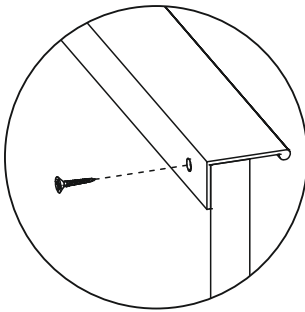
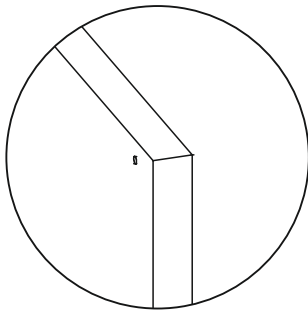
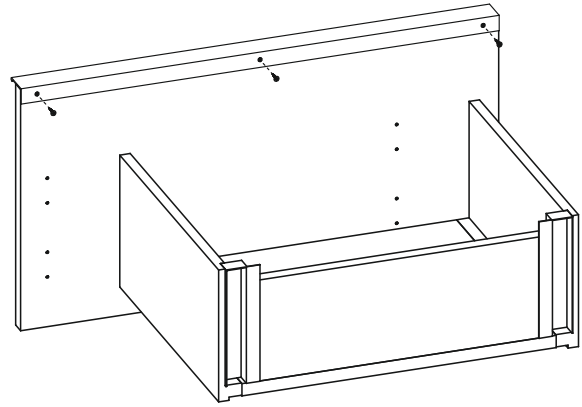
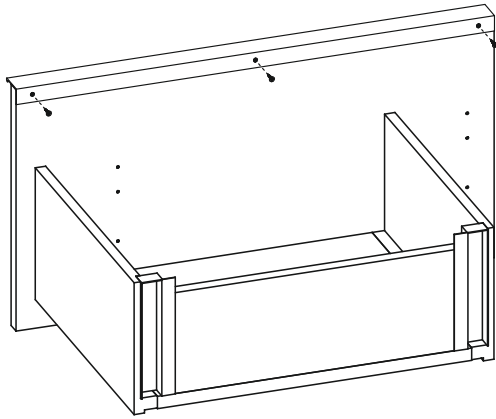


07.

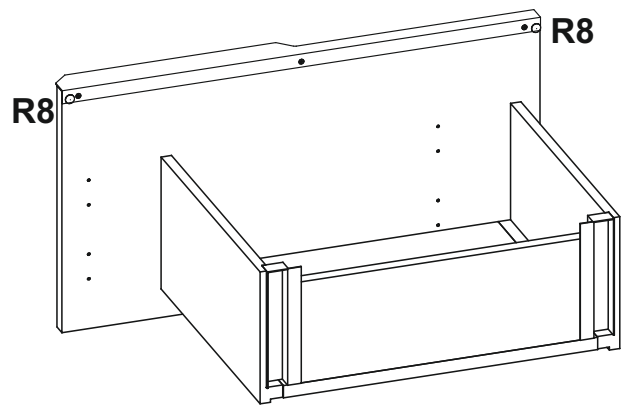
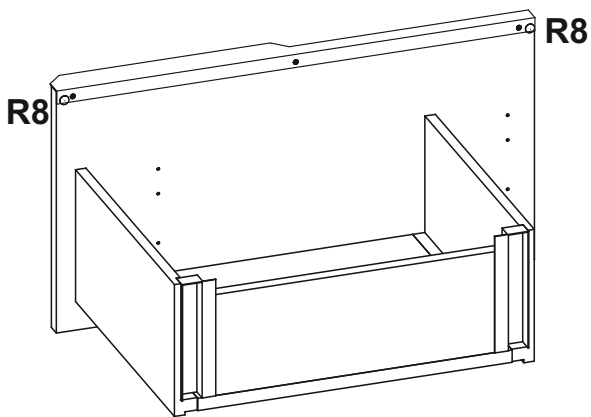
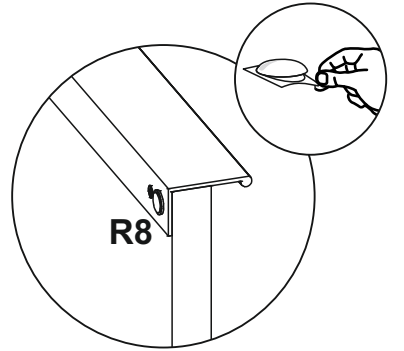
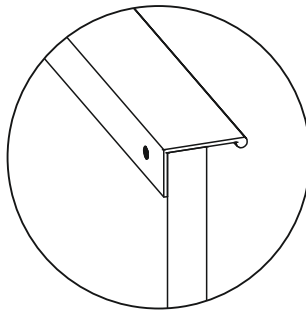
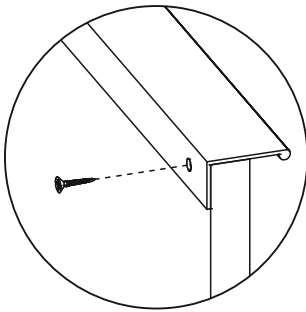
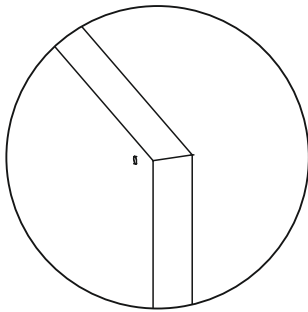
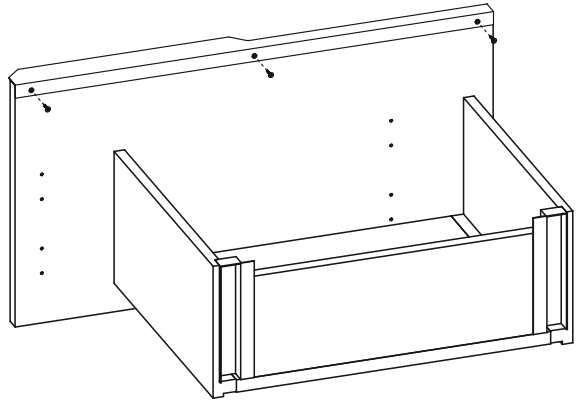
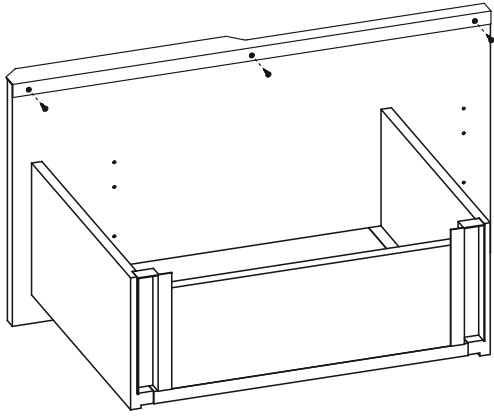
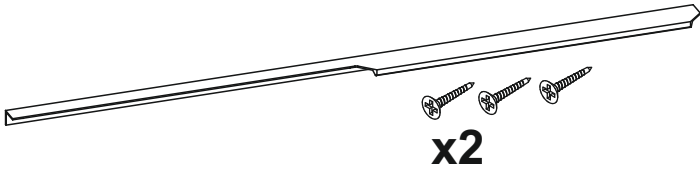
06.



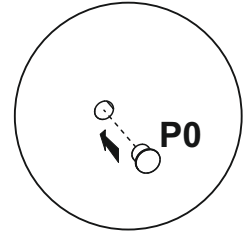
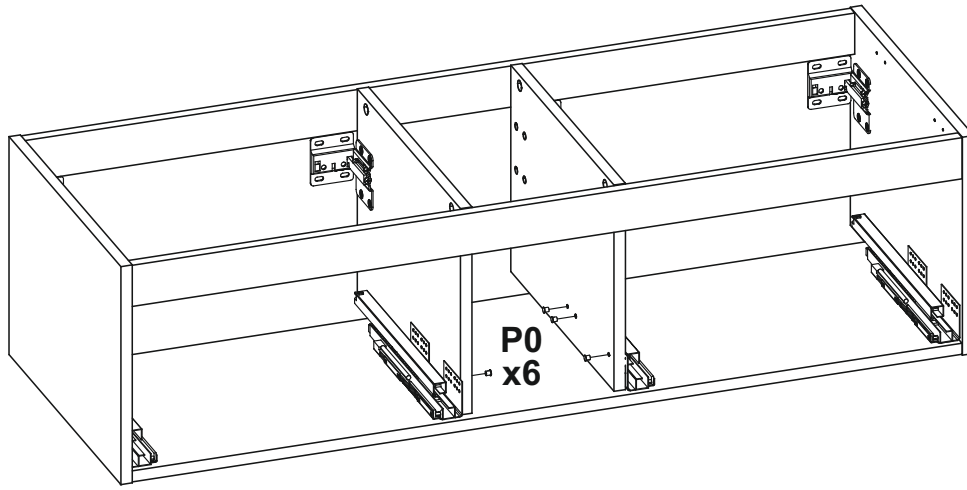
x2



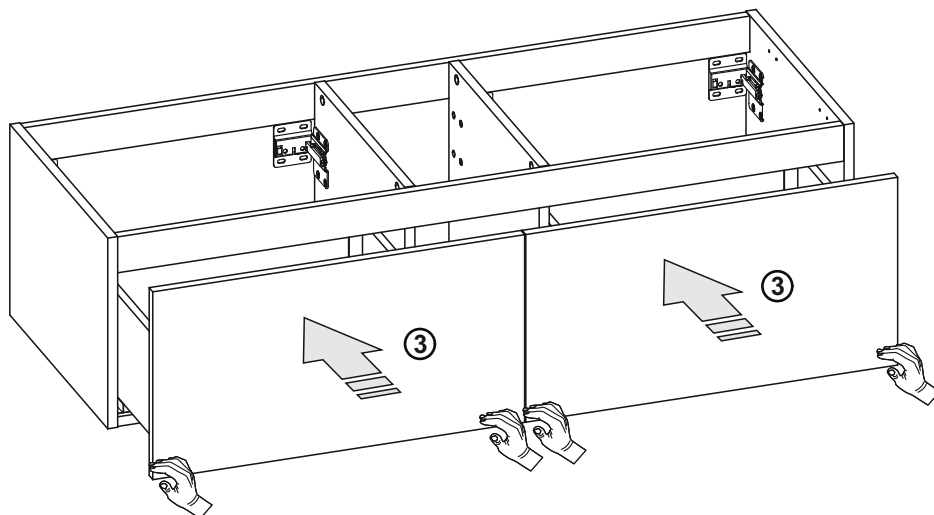
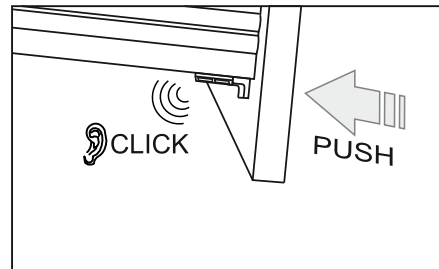
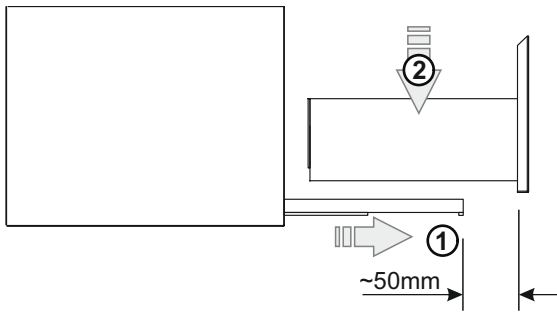
07.



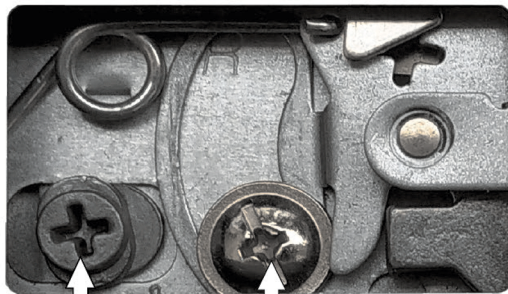
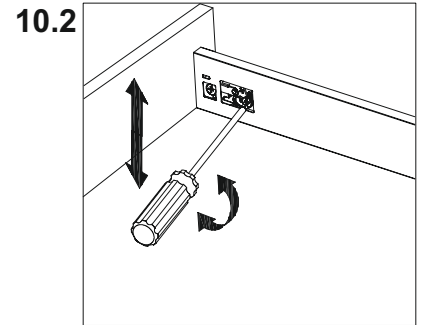
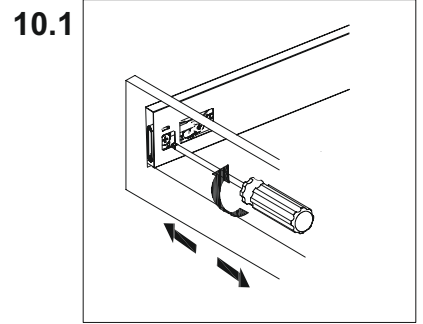
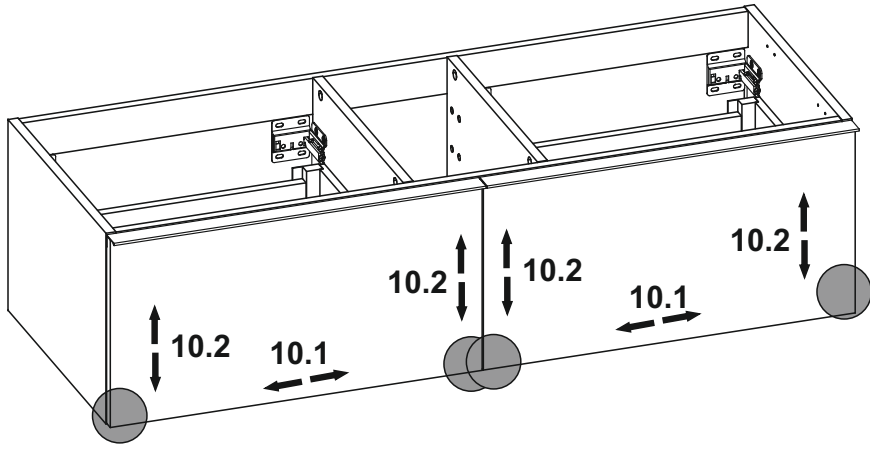
08.



09.



**10.**



10.2

10.2

10.1

