

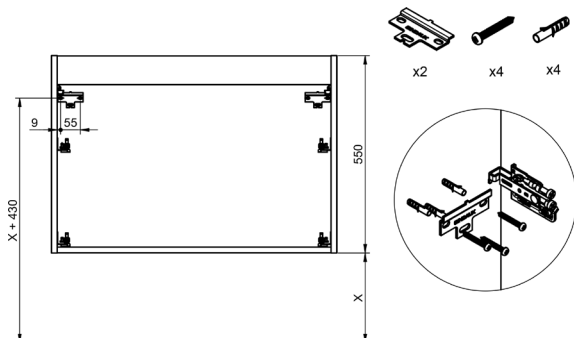
VISOBATH

ADJUSTMENTS AND FURNITURE CARE

INSTALLATION OF A VANITY

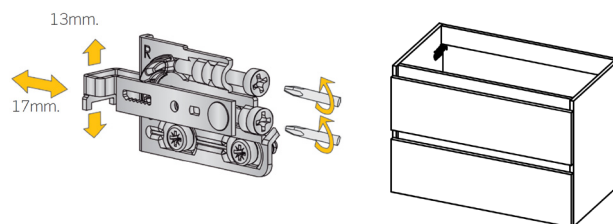
INSTALLATION AND ADJUSTMENT

1. Hang the unit on the wall



2. Level the unit, adjusting the hanger if necessary

*Level the unit once fitted to the wall

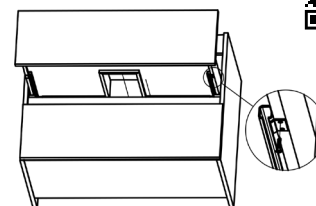
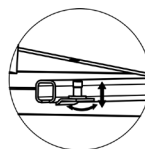
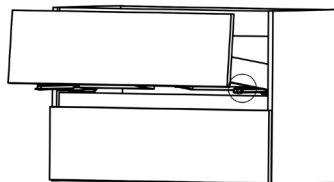
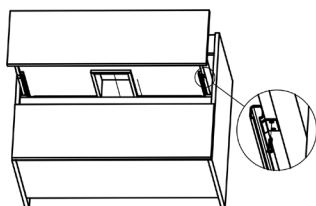


3. Adjustment of the PLAY drawer (full and partial extraction)

3.1 Unscrew the drawer from the runner

3.2 Adjust the height of the drawer

3.3 Screw the drawer back on to the runner



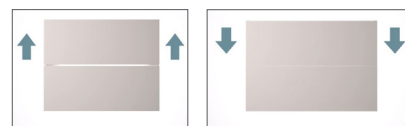
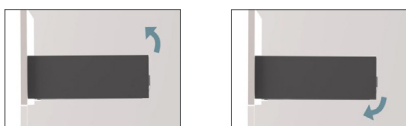
Aplicable for the Granada - Aqua - Box - Eleven - Vision - Midi - Verso collections

4. Adjustment of the IRON drawer (full extraction)

4.1 Adjust inclination

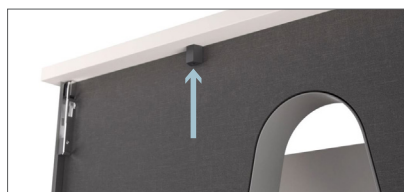
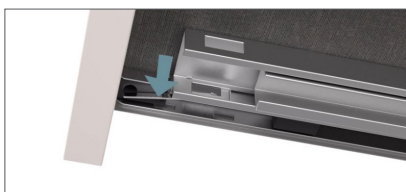
4.2 Lateral adjustment

4.3 Height adjustment



4.4 Remove the drawer: press the lower clip

4.5 Remove the drawer front: remove the screws and turn the screw behind the cover



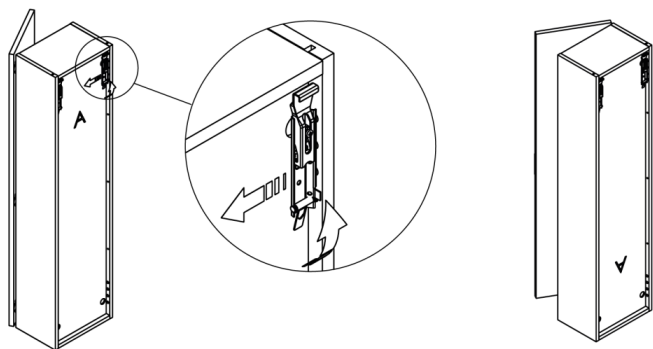
Aplicable for the Kyoto - Indico - Delta - Nomad - Icon - Arco - Bari collections

INSTALLATION OF A TALL UNIT

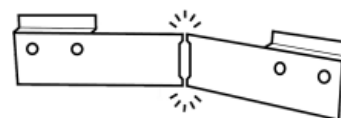
INSTALLATION AND ADJUSTMENT

5. Installation of tall units (Traser hangers)

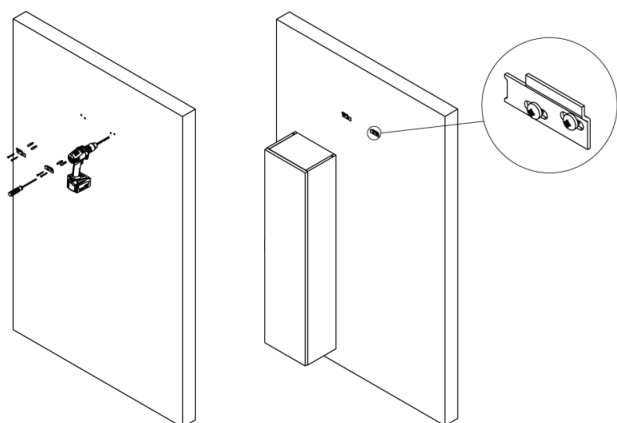
5.1 Choose the orientation of the door, where necessary change the position of the hangers



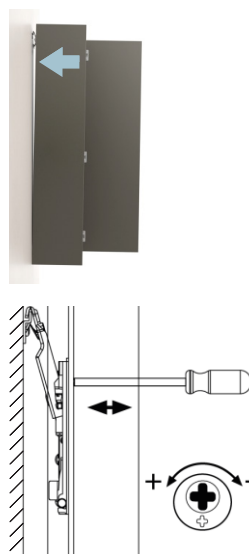
5.2 Separate the plates



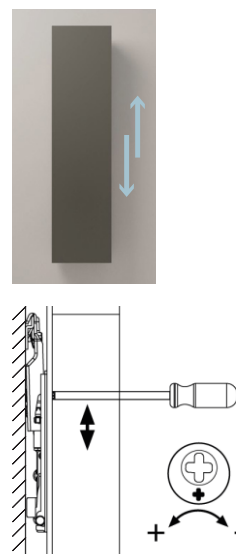
5.3 Adjust the screws to the desired height



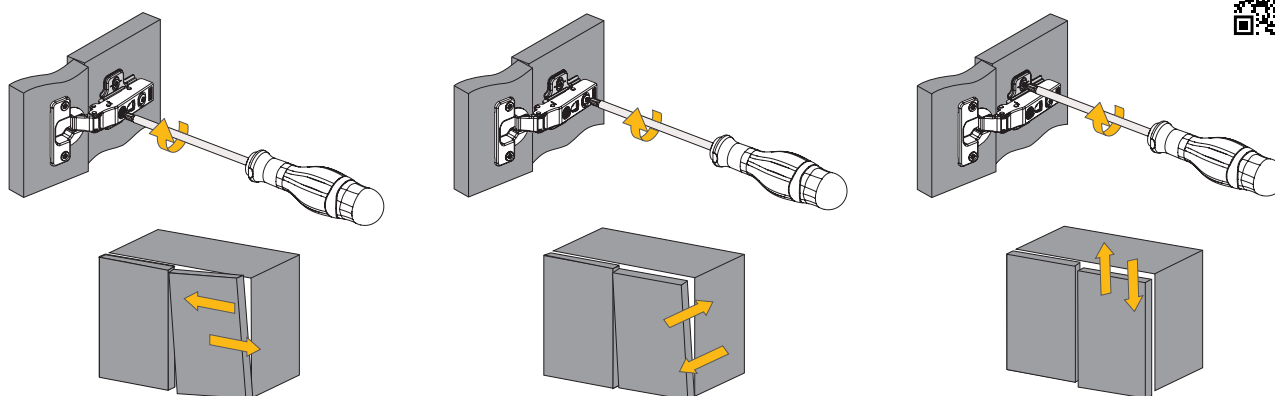
5.4 Fix the unit to the wall



5.5 Adjust and level



6. Door regulation



BATHROOM FURNITURE CARE AND RECOMMENDATIONS

To preserve the best quality of your Visobath product, please ensure you follow these cleaning recommendations:

- . Use only a soft damp cloth
- . Do not use any solvents or abrasive cleaning agents
- . Wipe off water spillages with a clean, dry cloth
- . Opt for regular cleaning instead of deep cleaning