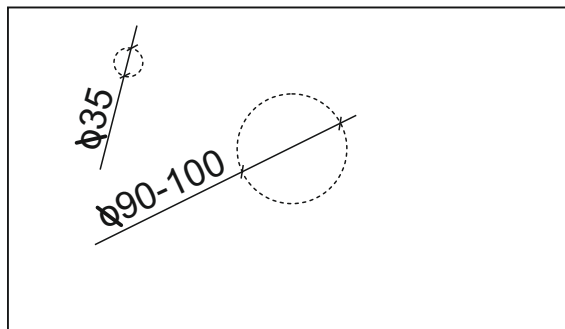
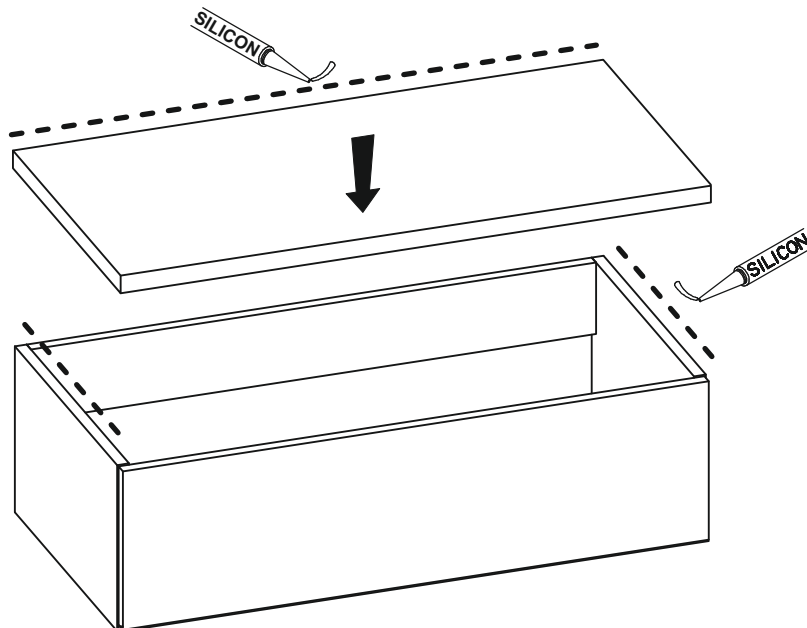


1



$\varnothing 35$
 $\varnothing 90-100$

2



Karta Gwarancyjna
Warranty card
Garantiekarte



Formularz zgłoszenia reklamacji
Complaint submission form
Formular für die Einreichung von Beschwerden



Filmy instruktażowe
Tutorial videos
Lehrvideos

MAINTENANCE AND USAGE TIPS FOR:

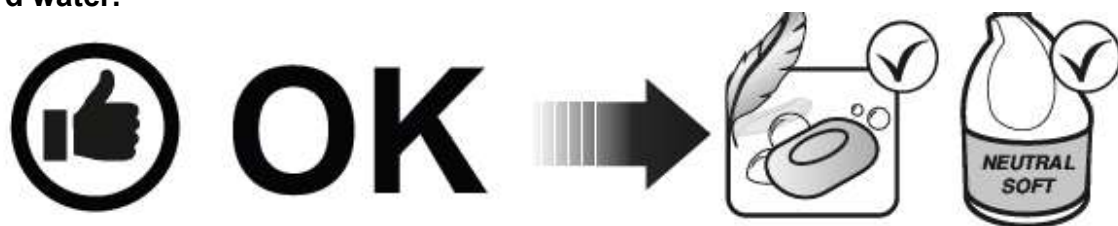
NATURAL STONE / COMPACT STONE

Natural stones become formed by a long natural process so they always have differences in hue, veins of different types, inlays of other minerals or fossils and some other irregularities that enhance their beauty and make them unique.

WHICH SHOULD NOT BE CONFUSED WITH DEFECTS OF THE PRODUCT.

So that all of our products keep the highest quality, our Natural Stones have been selected from the best quarries and we apply water-repellent and oil-repellent anti-stain treatments, which prevent the formation of fungus and bacteria, facilitating their cleaning and preserving the original beauty for a long time.

However, for the care and maintenance of the stone, we recommend to clear the stone with clean water after each use and ensure sufficient ventilation of the bathroom. It is convenient to dry the stone with a cloth to avoid stains caused by hard water.



For the cleaning of the Natural & Compact Stone, it is enough to use any kind of market-available detergent with neutral Ph or strictly recommended for this type of material. Avoid using other cleaning products unless it is clearly specified that they are fit for Natural Stone, this includes glass cleaners and generic bathroom cleaning products.



We do not recommend the use of abrasive cleaning products, or the use of detergents containing acids of any type, alcohol and especially, anti-calcareous products that would damage the part in a serious and sometimes irreversible way. Following these indications you can enjoy the beauty of a natural product for a long time, keeping the same natural appearance.

The warranty will not be valid if the products have not been properly stored or installed, if the installation instructions are not followed properly, due to misuse or by the use of contraindicated cleaning products. Likewise, the guarantee does not assume the logical deterioration due to the passage of time, cuts, scratches or damages due to impacts or accidents.

As well as in cases where its use has not been for household purposes.