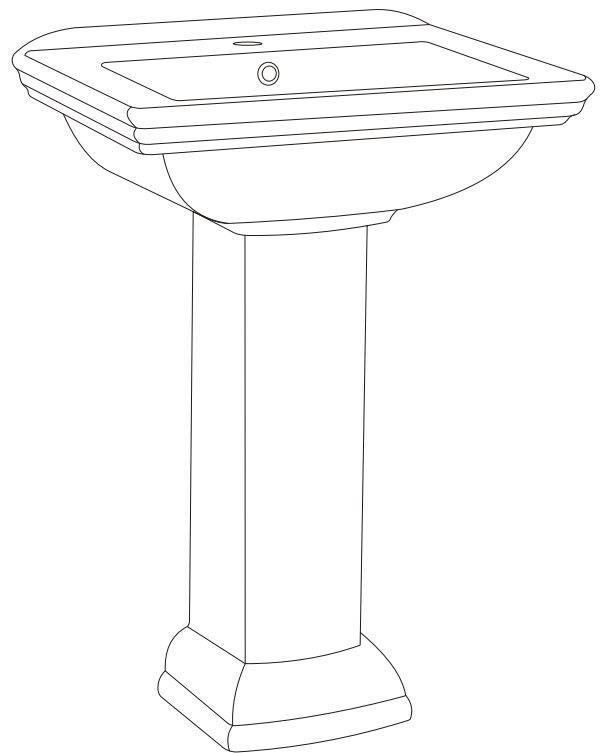
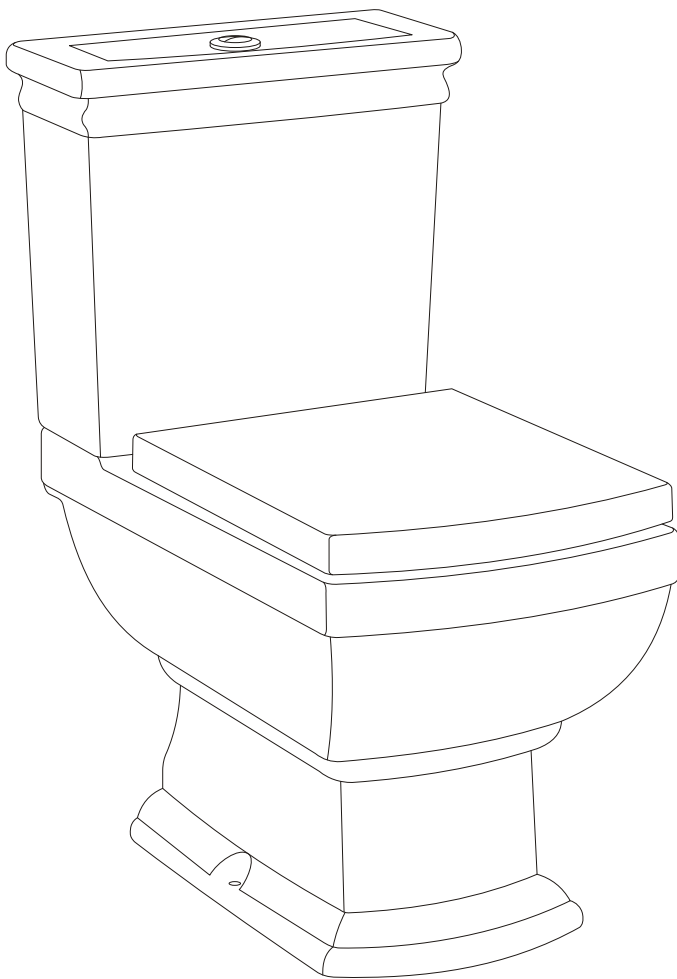


SANITARY CERAMICS

INSTALLATION AND OPERATION MANUAL



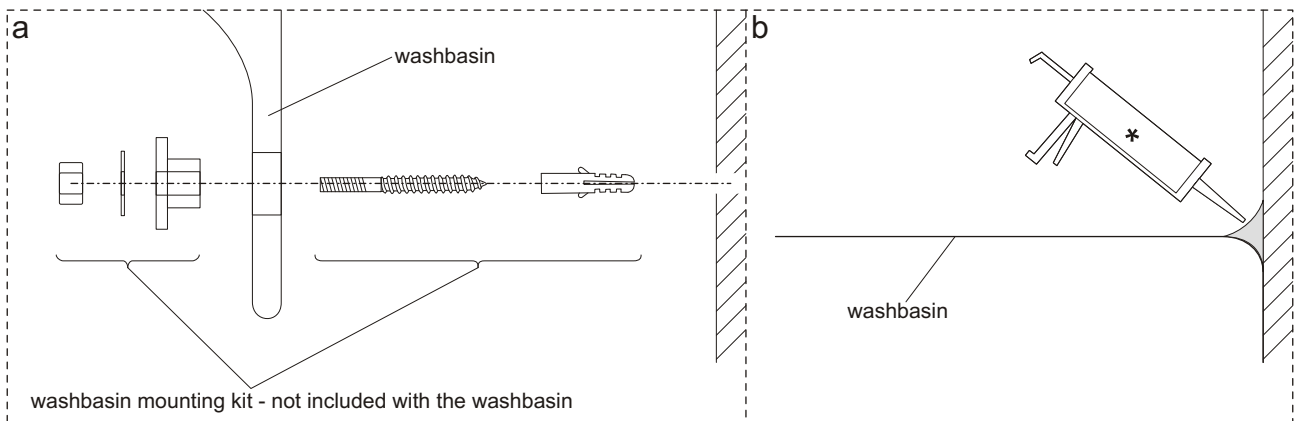
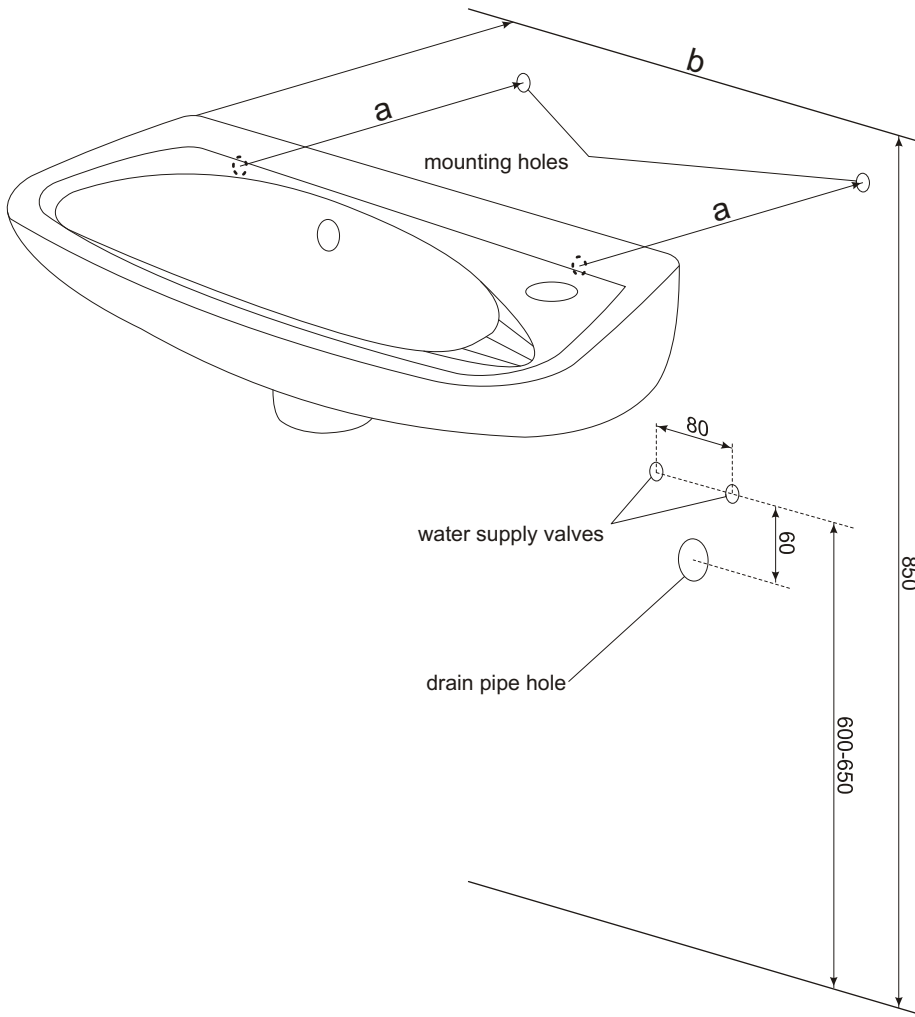
ENG Please check all components before installation. Do not install the product if any of its components are damaged!

KERRA®

ENG Thank you for purchasing our product. Before you start assembling the product, please read the instructions carefully. The diagrams and drawings included in the manual are simplified and contain only the details necessary for proper assembly of the product.

NOTE: Failure to follow the recommendations contained in this manual may be the basis for rejection of the complaint.

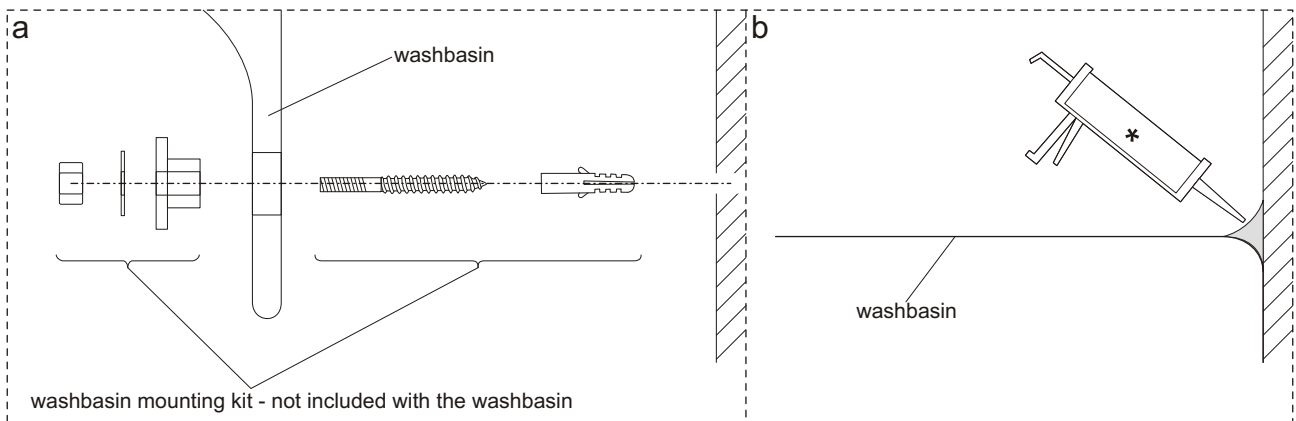
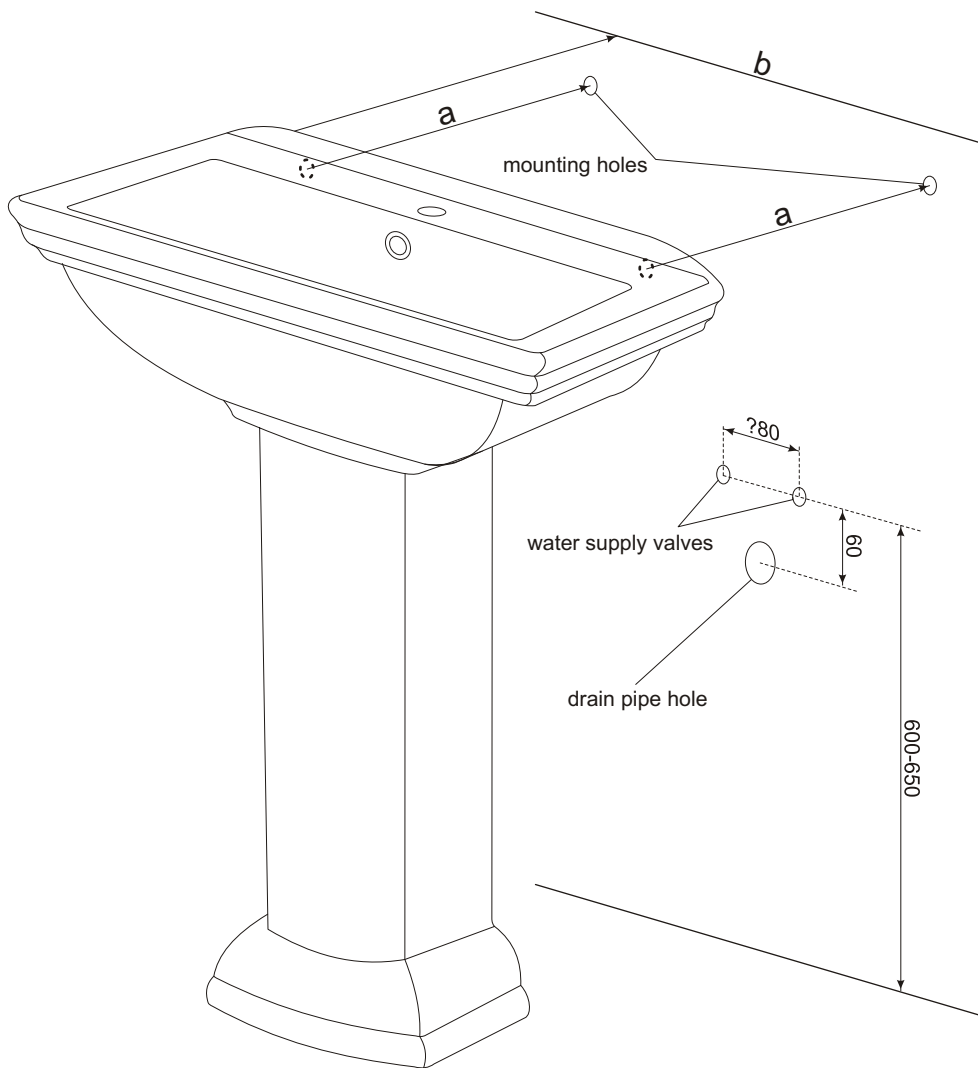
INSTALLATION OF A WALL-HUNG WASHBASIN



INSTALLATION NOTES

1. The drawing shows the recommended dimensions for the installation location of the washbasin.
2. It is recommended to use a dedicated mounting kit to mount the washbasin. The kit should be selected according to the type of wall on which the washbasin will be hung, as well as the weight of the washbasin itself.

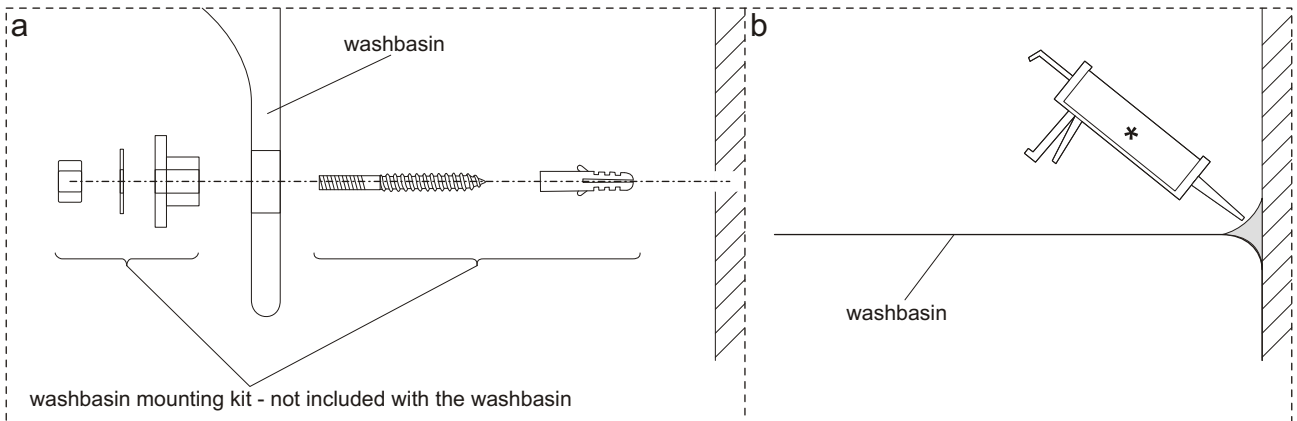
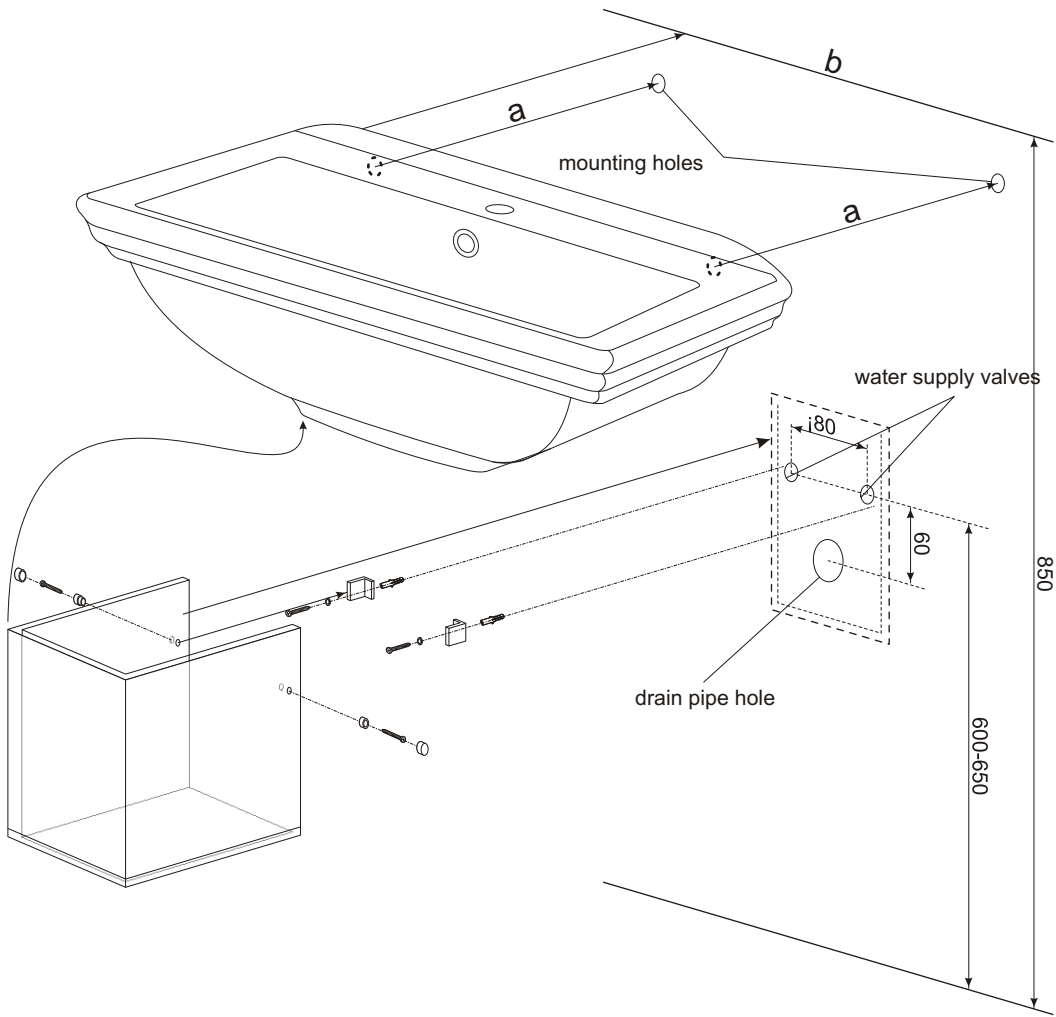
INSTALLATION OF A WASHBASIN WITH A PEDESTAL



INSTALLATION NOTES

1. The drawing shows the recommended dimensions for the installation location of the washbasin.
2. It is recommended to use a dedicated mounting kit to mount the washbasin. The kit should be selected according to the type of wall on which the washbasin will be hung, as well as the weight of the washbasin itself.

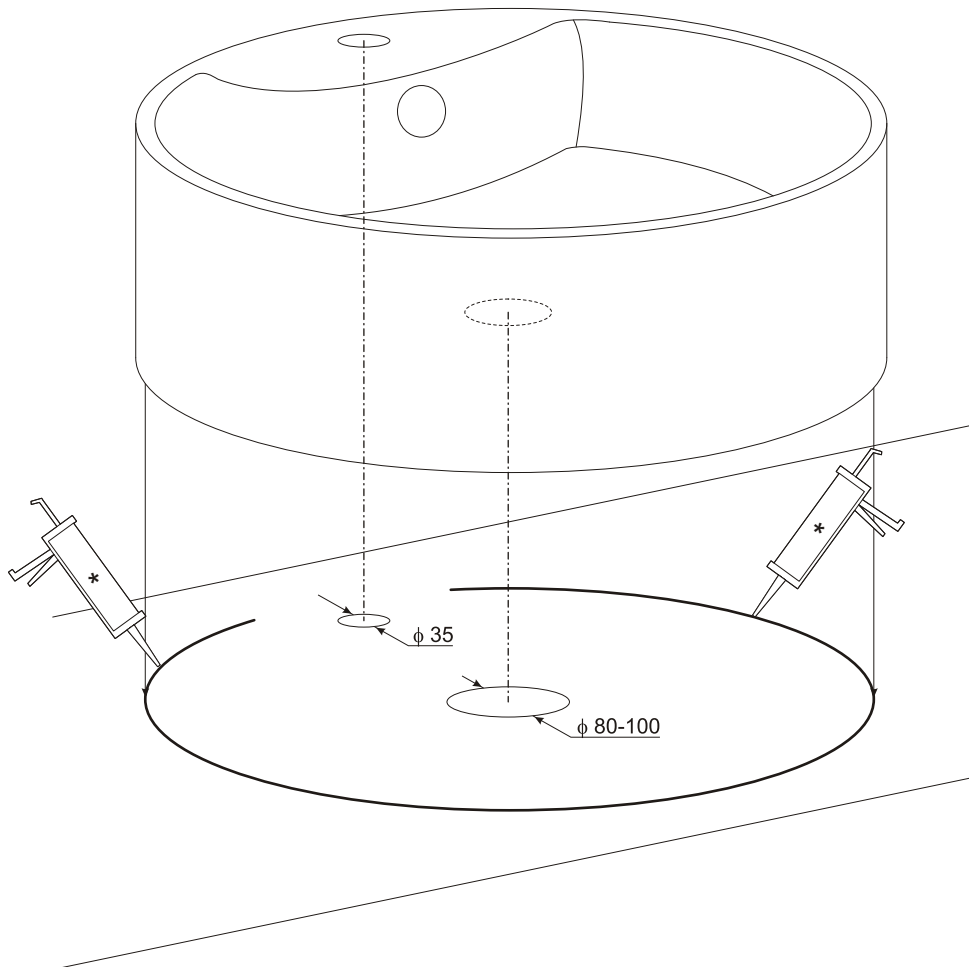
INSTALLATION OF A WASHBASIN WITH A HALF-PEDESTAL



INSTALLATION NOTES

1. The drawing shows the recommended dimensions for the installation location of the washbasin.
2. It is recommended to use a dedicated mounting kit to mount the washbasin. The kit should be selected according to the type of wall on which the washbasin will be hung, as well as the weight of the washbasin itself.
3. The semi-pedestal mounting kit is included only with the Kleopatra 14 washbasin. If necessary, the supplied bolts should be replaced with those that are suitable for the wall on which the semi-pedestal will be mounted.

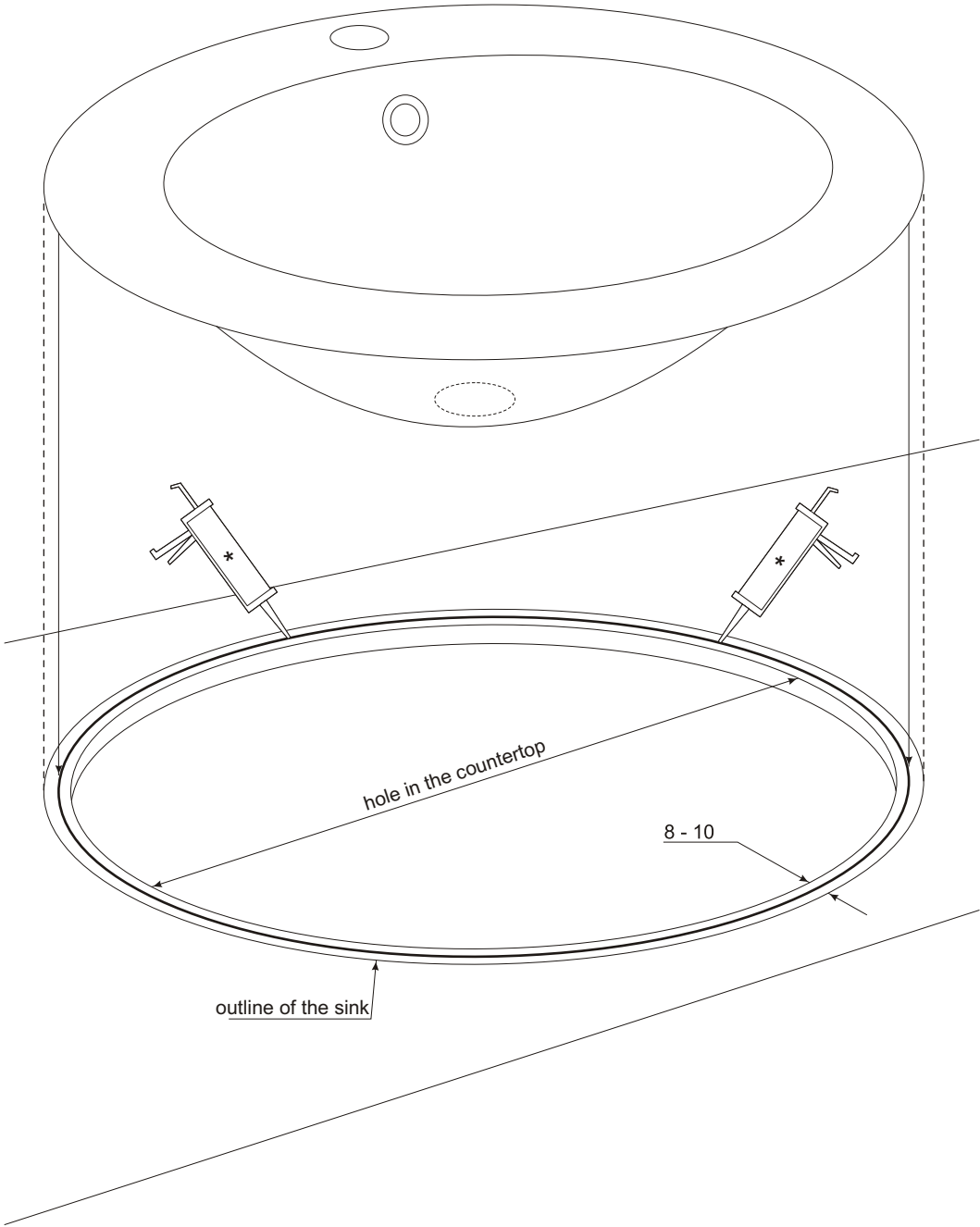
INSTALLATION OF A COUNTERTOP WASHBASIN



INSTALLATION NOTES

1. The drawing shows the recommended dimensions for the installation location of the washbasin.
2. The washbasin cannot be mounted to the countertop using a plug.
3. It is recommended to impregnate holes cut in the countertop to protect them from moisture.

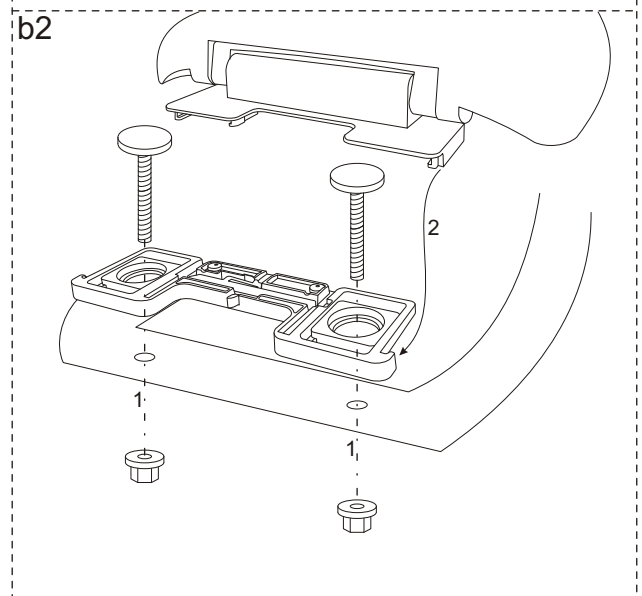
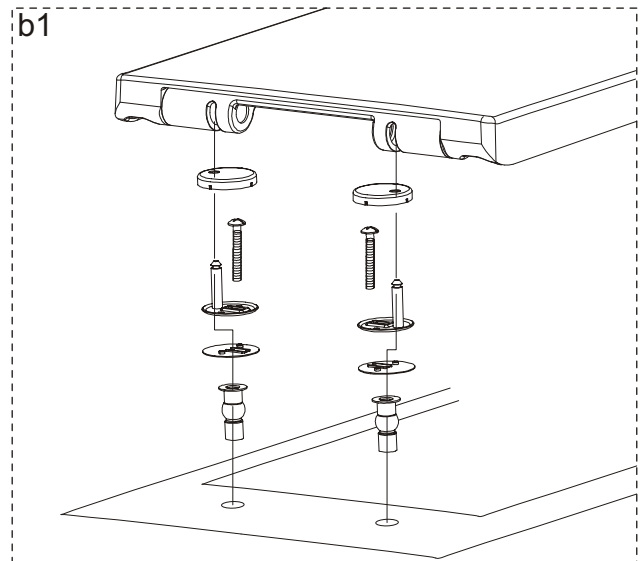
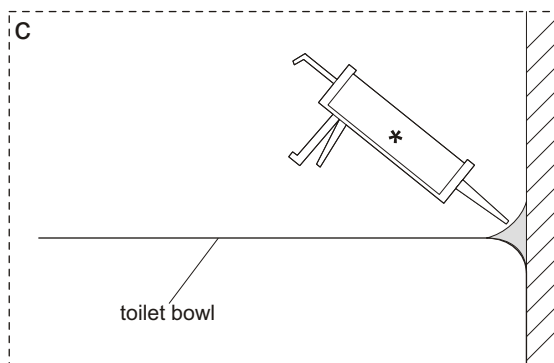
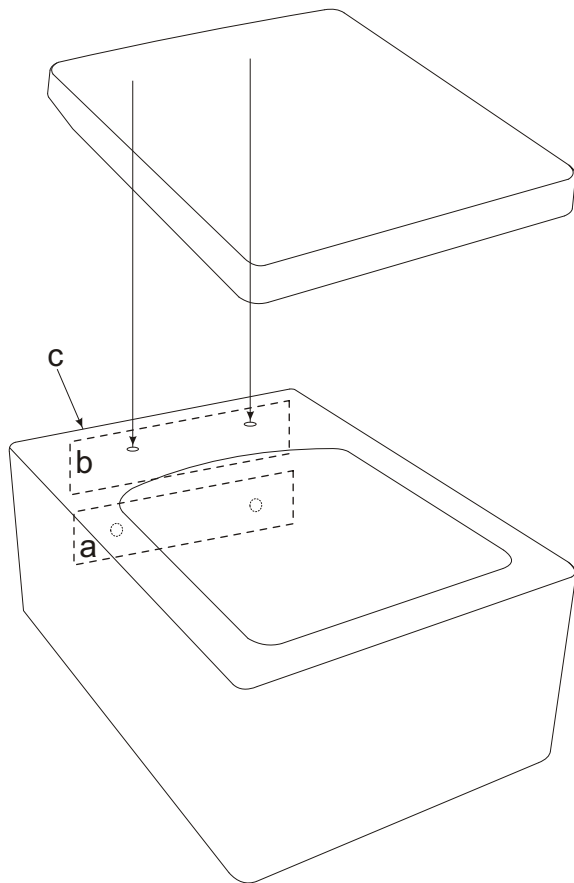
INSTALLATION OF A WASHBASIN MOUNTED INTO A COUNTERTOP



INSTALLATION NOTES

- 1. The drawing shows the recommended dimensions for the installation location of the washbasin.
- 2. It is recommended to impregnate the hole cut in the countertop to protect it from moisture.

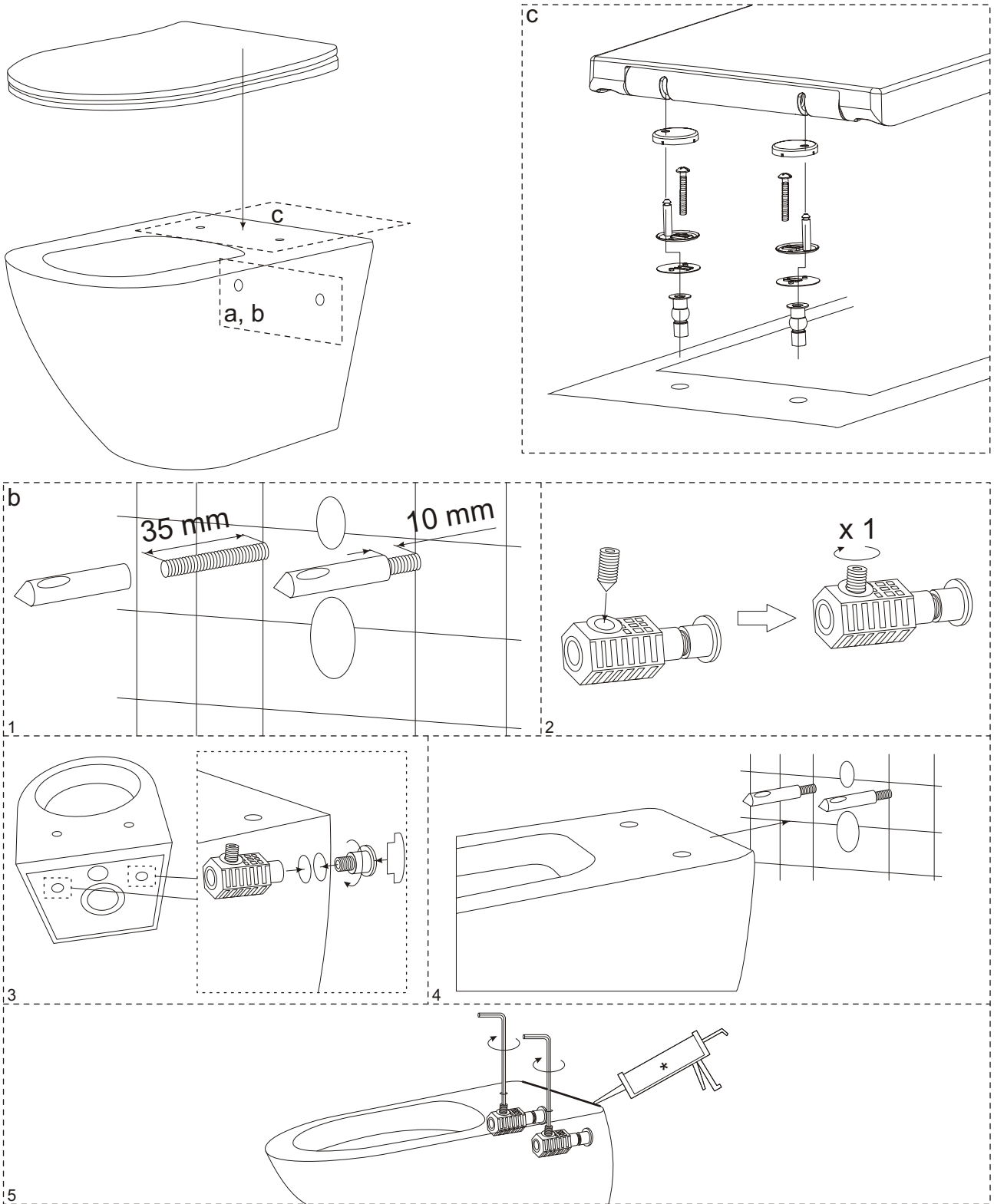
INSTALLATION OF A WALL-HUNG BOWL WITHOUT A DEDICATED MOUNTING KIT



INSTALLATION NOTES

1. The recommended installation height for a toilet bowl is 400 mm from floor level to its top edge.
2. A foam pad must be used between the toilet bowl and the wall. The pad must be cut after the bowl has been installed. If it is missing, the bowl may crack during use.
3. Before mounting the bowl, make sure that the threaded rods in the frame have the same spacing as the mounting holes in the bowl (a).
4. Each flush-mounted frame includes connecting pipes. These should be cut to the appropriate length according to the instructions included in the frame. It is recommended to lubricate the seals with silicone grease during installation.
5. Each concealed frame includes a universal mounting kit for a wall-hung WC. If the bowl does not come with a dedicated mounting kit, it must be attached to the frame using the kit that comes with it. When installing the bowl, follow the instructions that come with the frame.
6. After mounting the bowl to the frame, you need to assemble the board to it:
 - b1 - removable board without mounting strip;
 - b2 - removable/regular board with mounting strip.

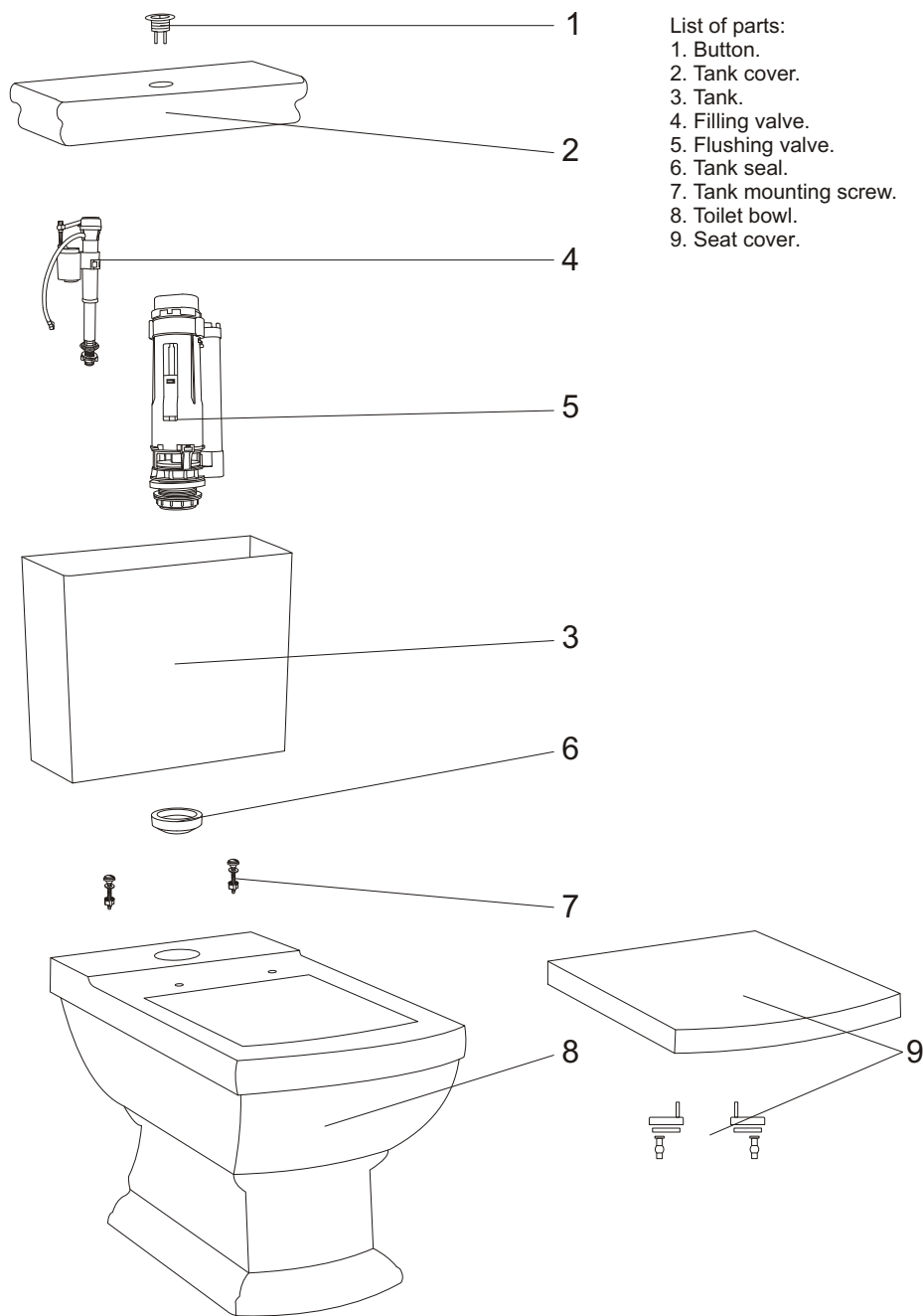
INSTALLATION OF A WALL-HUNG BOWL WITH A DEDICATED MOUNTING KIT



INSTALLATION NOTES

1. The recommended installation height of the toilet bowl is 400 mm from the floor level to its upper edge.
2. A foam pad must be used between the toilet bowl and the wall. The pad must be cut after the bowl is installed. If it is not used, the bowl may crack during use.
3. Before installation, make sure that the threaded rods in the frame have the same spacing as the mounting holes in the toilet bowl (a).
4. Each flush-mounted frame includes connecting pipes. They should be cut to the appropriate length according to the instructions included in the frame. It is recommended to lubricate the seals with silicone grease during installation.
5. Due to the construction of the bowl, it is not possible to mount it using the kit that is standardly included with the frame. To mount it, use the special kit that is included with the bowl.
6. After mounting the bowl to the frame, you need to assemble the board to it.

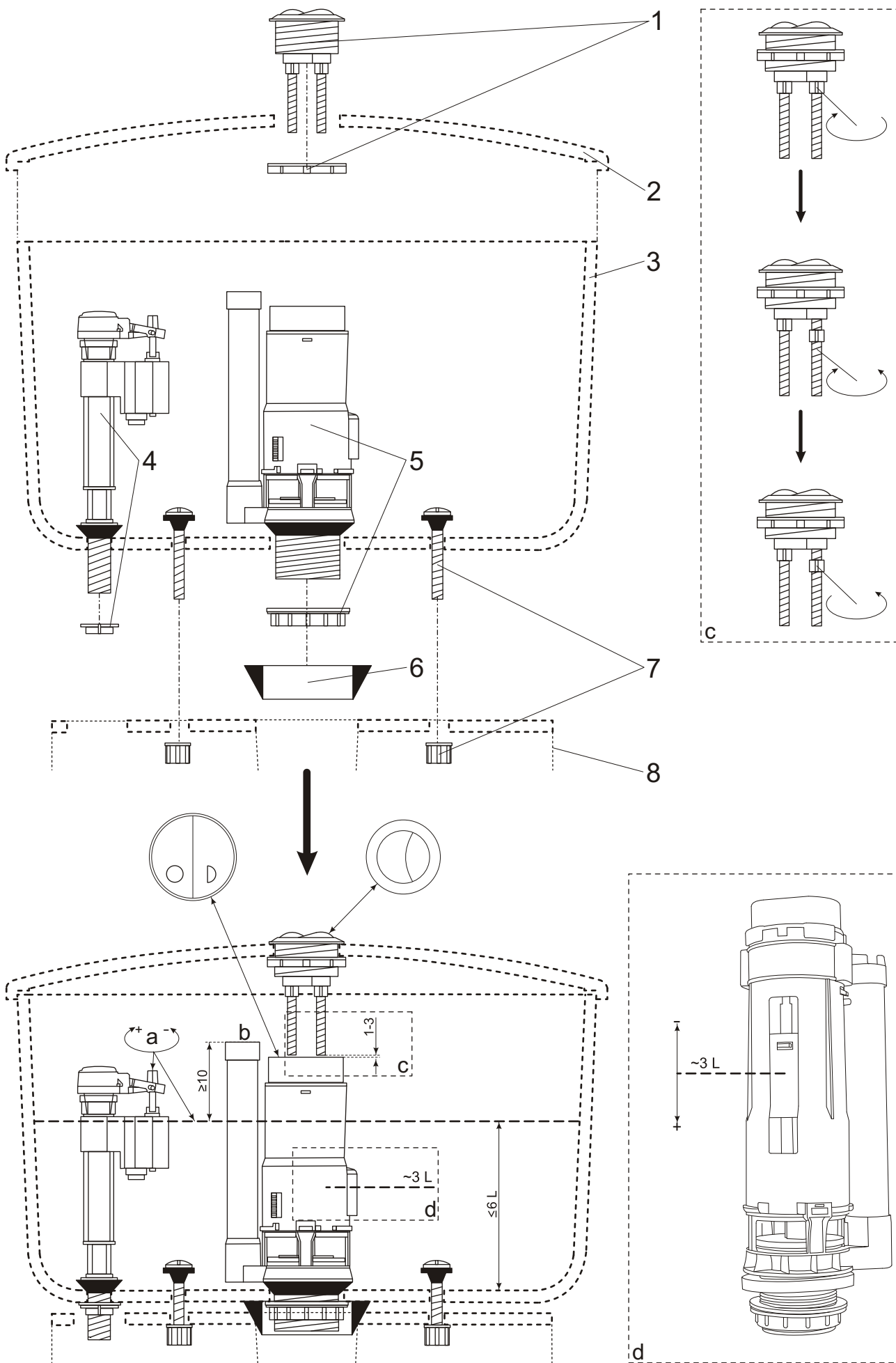
INSTALLATION OF A COMPACT TOILET



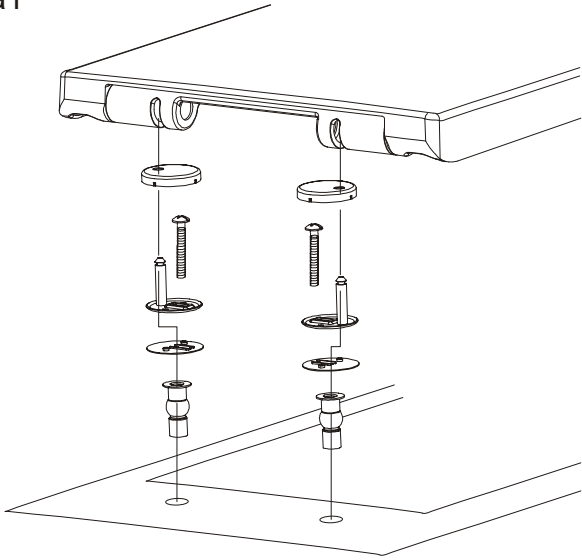
- List of parts:
1. Button.
 2. Tank cover.
 3. Tank.
 4. Filling valve.
 5. Flushing valve.
 6. Tank seal.
 7. Tank mounting screw.
 8. Toilet bowl.
 9. Seat cover.

INSTALLATION NOTES

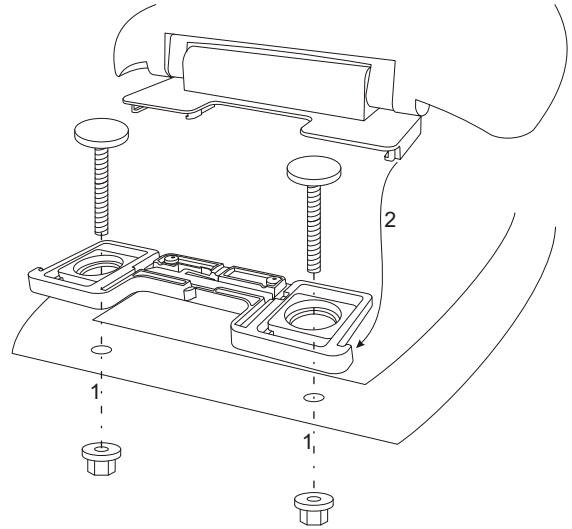
1. The compact power supply installation should be equipped with a shut-off valve with a mechanical water filter. To connect the filling valve in the compact, use a hose with a 1/2" thread.
2. Install the tank and valves according to the instructions on page 11. **NOTE:** The Kleopatra and Corner series compacts already have elements 1, 4 and 5 installed at the factory. **NOTE:** Do not tighten the tank to the bowl too tightly, it may cause one of the tanks to break from these elements.
3. Adjust the valves in accordance with the instructions on page 11. **NOTE:** When adjusting the filling valve (page 11, item a), the maximum set flushing volume must not exceed 6 liters. If properly adjusted, the water level in the tank should be at least 10 mm lower than the height of the overflow in the drain valve (page 11, item b).
4. The floor where the compact is installed should be even and well leveled.
5. To mount the compact to the floor, use a standard set for toilet bowls. **NOTE:** The Kleopatra and Corner series compacts already come with a floor mounting kit.
6. The drain hole in the wall should not be higher than the drain in the compact.
7. The board should be installed in accordance with the drawings on page 12: a1 - detachable board without mounting strip; a2 - detachable/ordinary board with mounting strip; a3 - ordinary board.
8. After installation, use silicone to seal the joints between the bottom edge of the bowl.



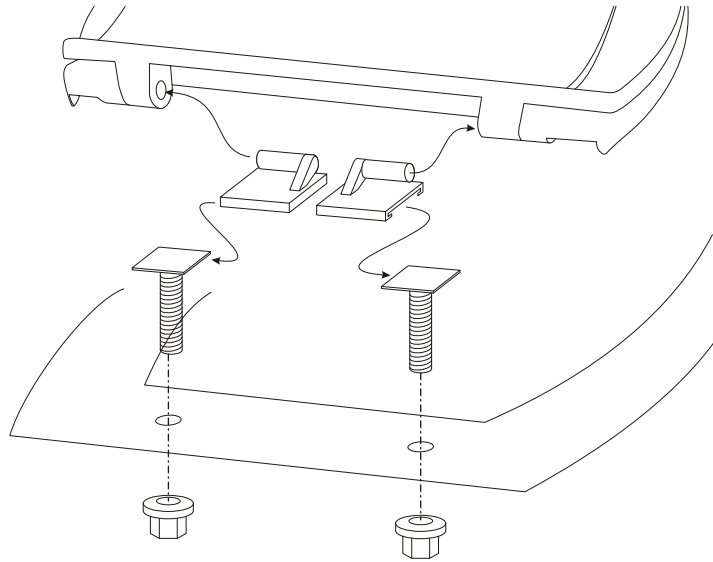
a1



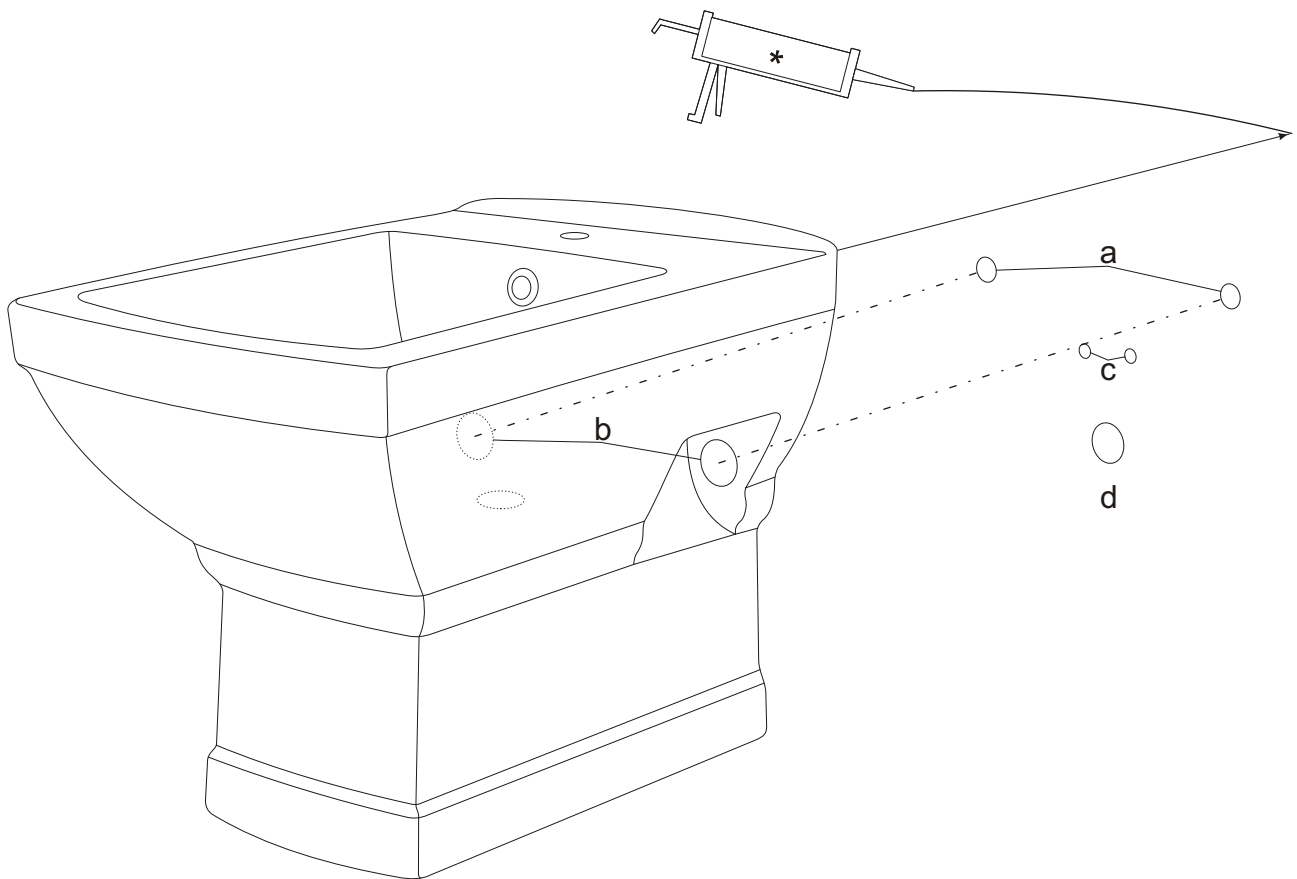
a2



a3



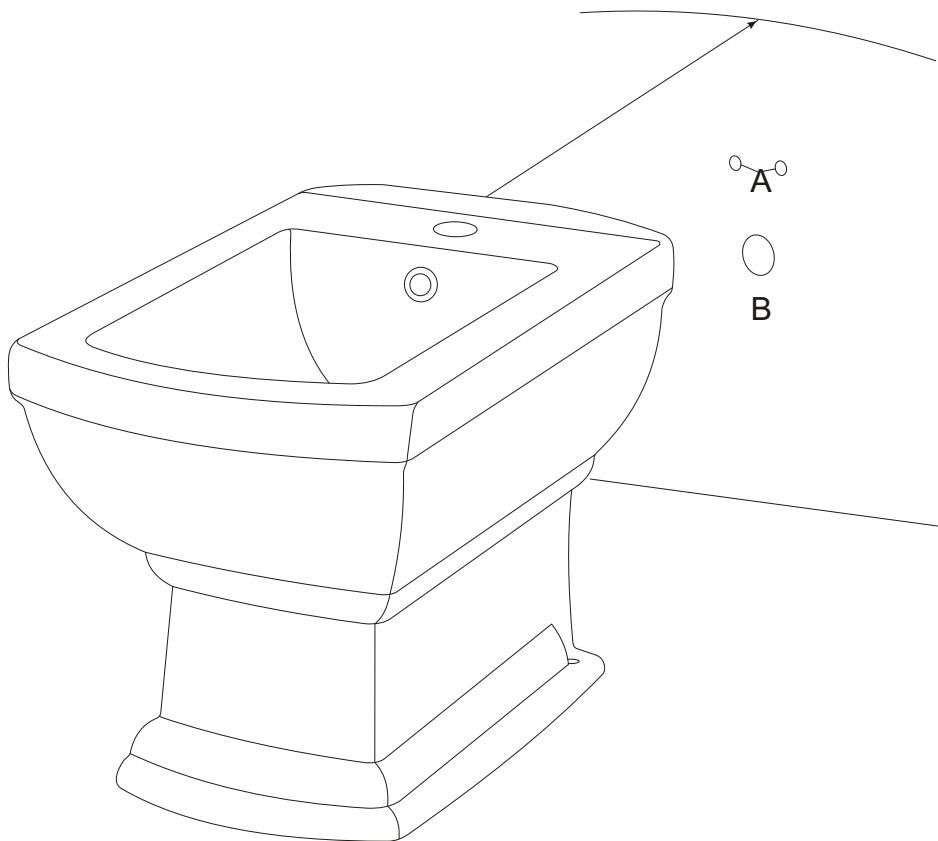
INSTALLATION OF A WALL-HUNG BIDET



INSTALLATION NOTES

1. The recommended bidet installation height from the finished floor to its top edge is 400 mm.
2. Before installation, make sure that the spacing of the threaded rods in the frame (a) is the same as the spacing of the mounting holes in the bidet (b).
3. A foam pad must be used between the bidet and the wall. The pad must be cut after the product is installed. If it is not used, the bidet may crack during use.
4. The location and type of connections for the tap (c) and the siphon plug (d) should be selected according to the accessories purchased.
5. Before hanging the bidet, install the faucet and siphon with stopper and connect them to the installation according to the instructions supplied with them.
6. After installation, it is recommended to seal the upper part of the bidet at the point of its connection to the wall with silicone.

INSTALLATION OF A STANDING BIDET



INSTALLATION NOTES

1. The floor where the bidet is to be installed should be even and well leveled. The bidet should be pushed as close to the wall as possible after installation.
2. The location and type of connections for the tap (A) and the siphon plug (B) should be selected according to the accessories purchased.
3. Before installing the bidet, you must install the faucet and siphon with stopper and connect them to the installation according to the instructions supplied with them.
4. To mount a bidet to the floor, you need a mounting kit of the same type used for mounting floor-standing toilet bowls.
5. After installing the bidet, seal the joint between the bidet and the floor of the room with silicone.

NOTES REGARDING SAFETY, USE AND PRODUCT PROPERTIES

1. All repairs should be performed by an authorized service center.
2. The product is intended for non-commercial home use only.
3. Do not use the product if it is damaged.
4. Product components should not be exposed to long-term exposure to UV rays.
5. Dimensional tolerances: for holes - ± 5 mm; for other dimensions - ± 10 mm.
6. Do not expose the product to shock changes in temperature. Do not expose the product to freezing.
7. Before use, check the tightness of all connections. Please stop using the product if you notice any cracks in the ceramics. Broken bowls and tanks should be drained of water immediately.
8. If the toilet compact will not be used for a long period of time, close the shut-off valve and empty the tank.
9. In the case of compact toilets, check the condition of the water filter at least once a month and clean or replace it if necessary. Contamination or damage to the filter may result in reduced water flow and, in extreme cases, also damage to product components.
10. The product tank should only be filled with clean, cold water. Do not add any chemicals to it.
11. In the case of slowly closing boards, do not force them to close - this will damage the hinges. The board must close itself.
12. Do not sit on the seat cover if the top flap is closed. You should not stand on the board.
13. It is not recommended to use substitutes from other manufacturers. Differences in parameters may affect the proper operation of the product.

MAINTENANCE

1. The surface of the product should be cleaned using mild detergents and a soft cloth. It is recommended to use a liquid soap solution. After cleaning the product, remove any cleaning agent residues from its surface.



Before using a given agent, make sure that its use will not damage the surface of the product. If the product data sheet provided by the manufacturer of the product does not provide sufficient information regarding its use on a given surface, it is recommended to test it first on an invisible part of the product. Do not use aggressive agents containing corrosive substances (e.g. sodium hydroxide - NaOH), irritating or abrasive substances. They may damage the surface of the product. The cloth used must not contain any scouring or scratching fibers.

Instructions version: 1.3

Manufactured on: 07.03.2022

Producent / Hersteller / Manufacturer / Fabrikant / Gyártó / Gamintojas:

NOVOTERM[®]
choose comfort

NOVOTERM Sp. z o.o.
ul. Zimowa 6, PL 70-807 Szczecin
www.novoterm.eu

KERRA[®]