



# INSTALLATION AND USE MANUAL

FREE-STANDING BATHTUB  
EMP

 **KERRA**<sup>®</sup>

[www.kerra.pl](http://www.kerra.pl)

# INSTALLATION AND MAINTENANCE MANUAL

## FREESTANDING BATHTUB EMP

**Thank you for purchasing our product  
Before you begin installing your bathtub,  
please read the instructions carefully.**

The drawings included in the manual are of an illustrative (schematic) nature. Differences between the drawings included in this manual, photographs in catalogues and exhibition products, and the physical appearance of the goods cannot be the basis for a complaint.

**NOTE:** Please check the condition of the product immediately after purchase. Any shortages or damages must be reported to the seller immediately. After the bathtub has been installed, any complaints in this regard will not be accepted.

### BEFORE INSTALLING, MAKE SURE THAT:

1. The place where the bathtub will be placed must have an even horizontal floor at the same level as the rest of the room.
2. We recommend installing EMPSOLO drainage to the bathtub. If you wish to install another set, make sure that it complies with the PN-EN274:2004 standard and is intended for installation in bathtubs with 52 mm diameter holes.

### TECHNICAL PARAMETERS:

Bathtub dimensions with dedicated legs installed:  
169 x 74 x 72 cm

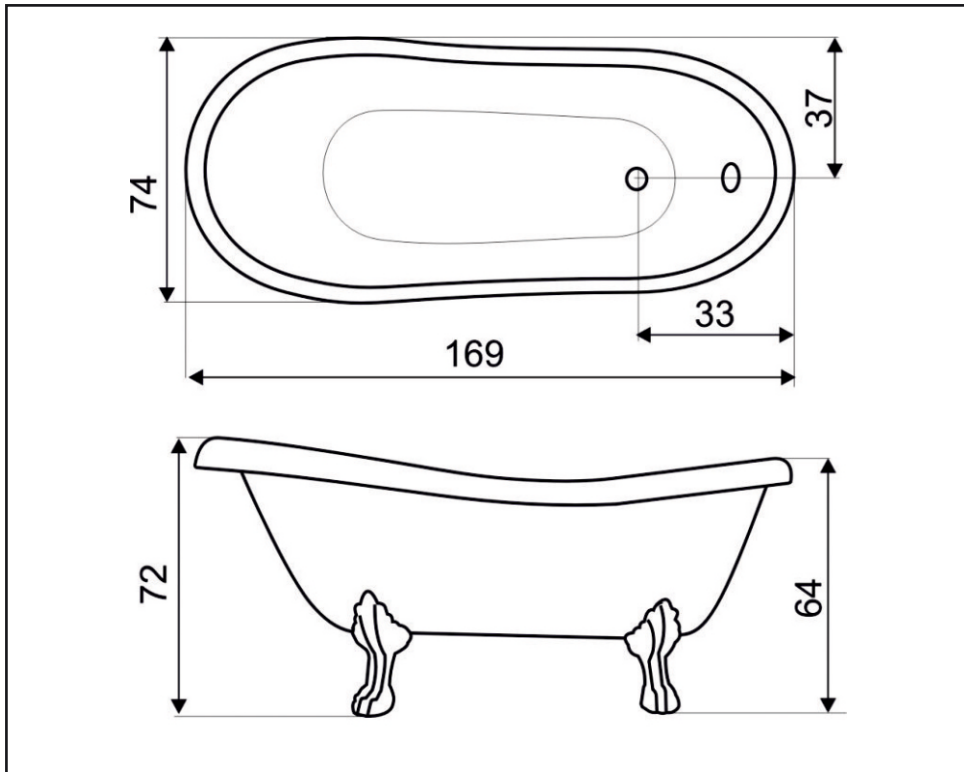
Recommended hot water temperature: 55 - 60°C

Recommended cold water temperature: 10 - 20°C

### TOOLS NEEDED:

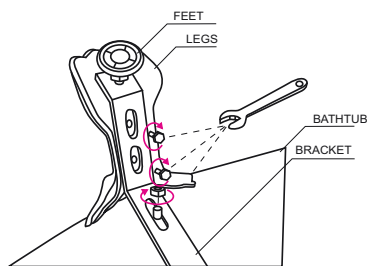
Spirit level, adjustable wrench.

## BATHTUB DIMENSIONS:



## BATHTUB INSTALLATION:

**NOTE: Legs, frame, drainage and siphon are not included and must be purchased separately!**



dwg. 2



dwg. 3

1. Turn the bathtub upside down..
2. Screw the feet with legs to the bathtub using M10 nuts and bolts M10x40 (dwg. 2 i 3). All leg elements are labeled.
3. Turn the bathtub over and level it by adjusting the height of the feet.
4. Install the drain fittings.

## RECOMMENDATIONS FOR SAFE USE OF THE BATHTUB:

1. You can't use electrical devices in the bathtub. It can be life-threatening and dangerous. Moisture can also damage these devices.
2. Do not leave metal objects in the bathtub; they may corrode over time.
3. The temperature of the water used to fill the bathtub must not exceed 60°C.
4. The product is intended for non-commercial home use only.
5. The maximum load on the bottom of the bathtub is kg/0,5 m<sup>2</sup>. The maximum total load of the bottom of the bathtub is 360 kg.
6. Even the slightest contamination with nail polish or hairspray is not allowed.

## CLEANING TIPS:

1. Clean the surface of the bathtub using liquid soap and a soft cloth. Do not use powdered agents. Do not use agents containing chemically aggressive substances, e.g. acetone, alcohol, ammonia, formic acid, formaldehyde, etc. They can permanently damage the surface of the bathtub. It is recommended to clean the bathtub after each use.
2. For minor scratches on acrylic surface: wet sand with #2000 sandpaper and then polish with polishing paste and tools.
3. It is recommended to remove limescale using a cloth soaked in a warm solution of water. The solution should be in a 1:1 ratio. The descaled surfaces should be thoroughly rinsed; vinegar left on the surface can cause permanent discoloration.

**KERRA®**

Producer:  
NOVOTERM Sp. z o.o.  
ul. Zimowa 6, 70-807 Szczecin  
[www.novoterm.pl](http://www.novoterm.pl)