



INSTALLATION AND USE MANUAL

DRAINAGE ANTICA
LEGS ANTICA

 **KERRA**[®]

www.kerra.pl

INSTALLATION AND USE MANUAL DRAINAGE AND LEGS ANTICA,

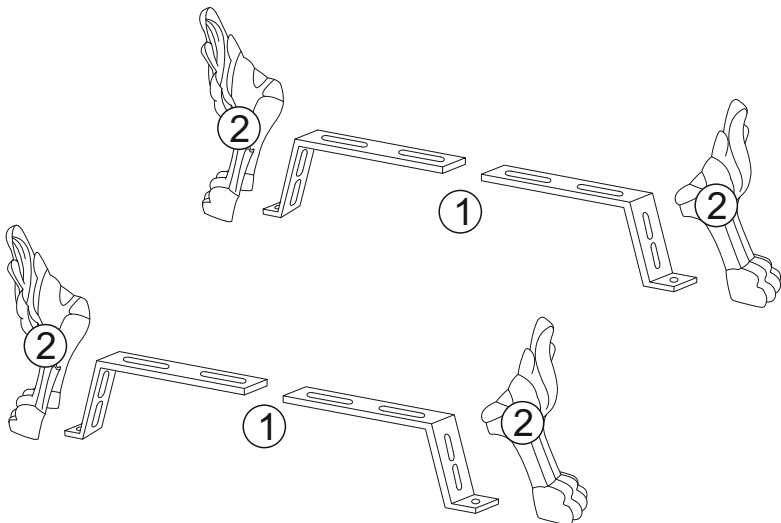
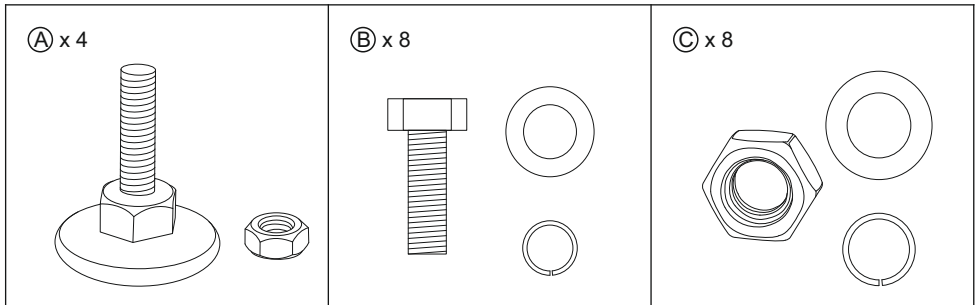
Thank you for purchasing our product. Before you begin installing the bathtub, please read the instructions carefully. The diagrams and drawings included in the instructions are simplified and contain only the details necessary for the correct installation of the product.

NOTE: Failure to follow the recommendations included in this manual may be grounds for rejecting the complaint.

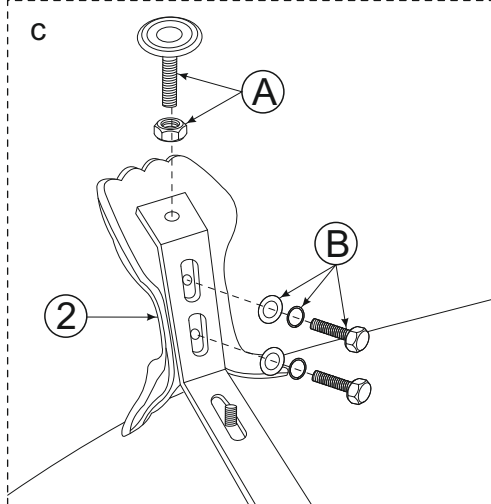
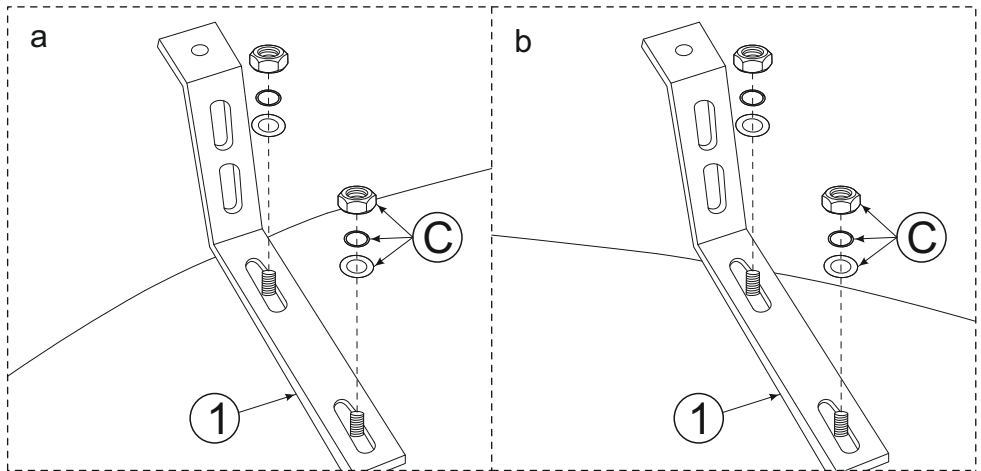
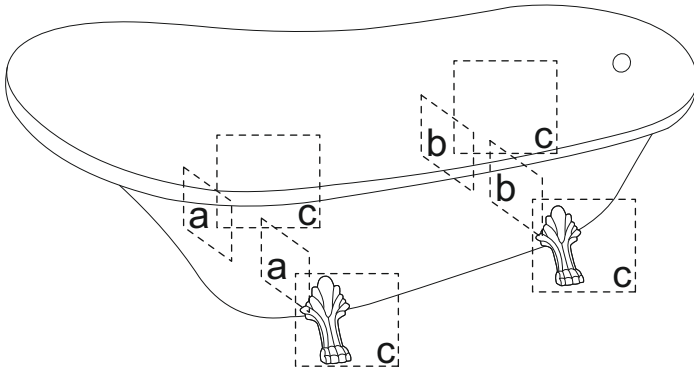
NOTES BEFORE INSTALLATION

1. The accessories are designed for installation with the Antica freestanding bathtub.
2. The drainage is designed for installation with bathtub siphons with G1 1/2" thread. The siphon is not included in the set.
3. Bathtub not included.

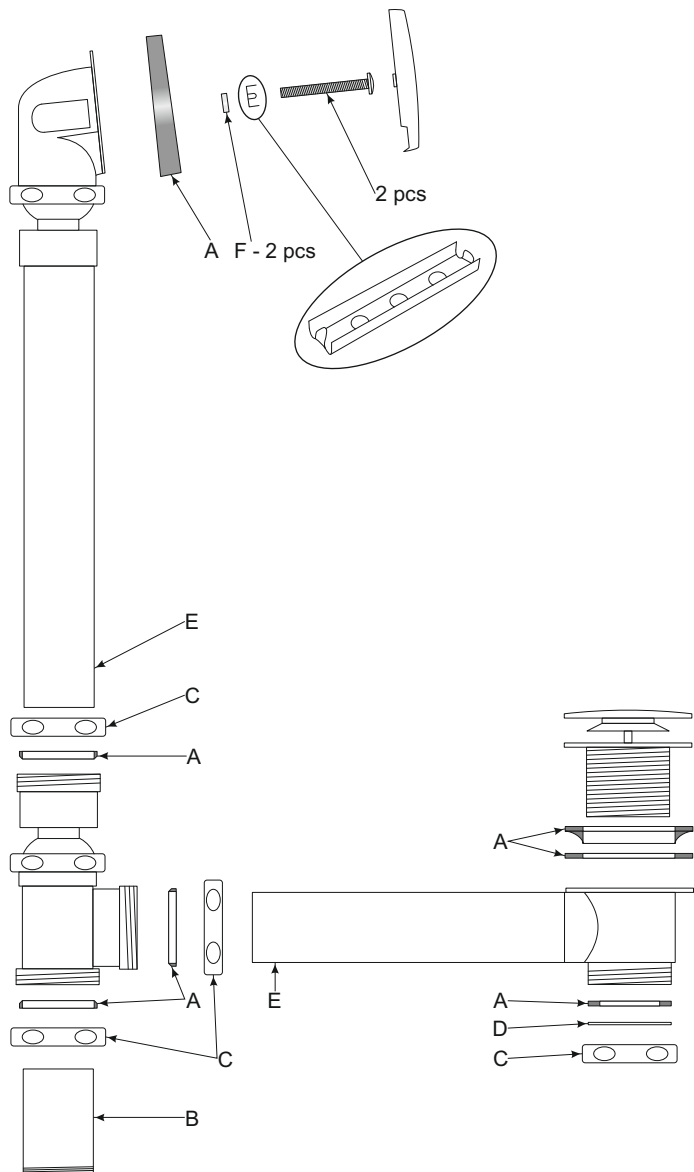
LEGS ANTICA



LEGS ANTICA - ASSEMBLY DIAGRAM



DRAINAGE ANTICA

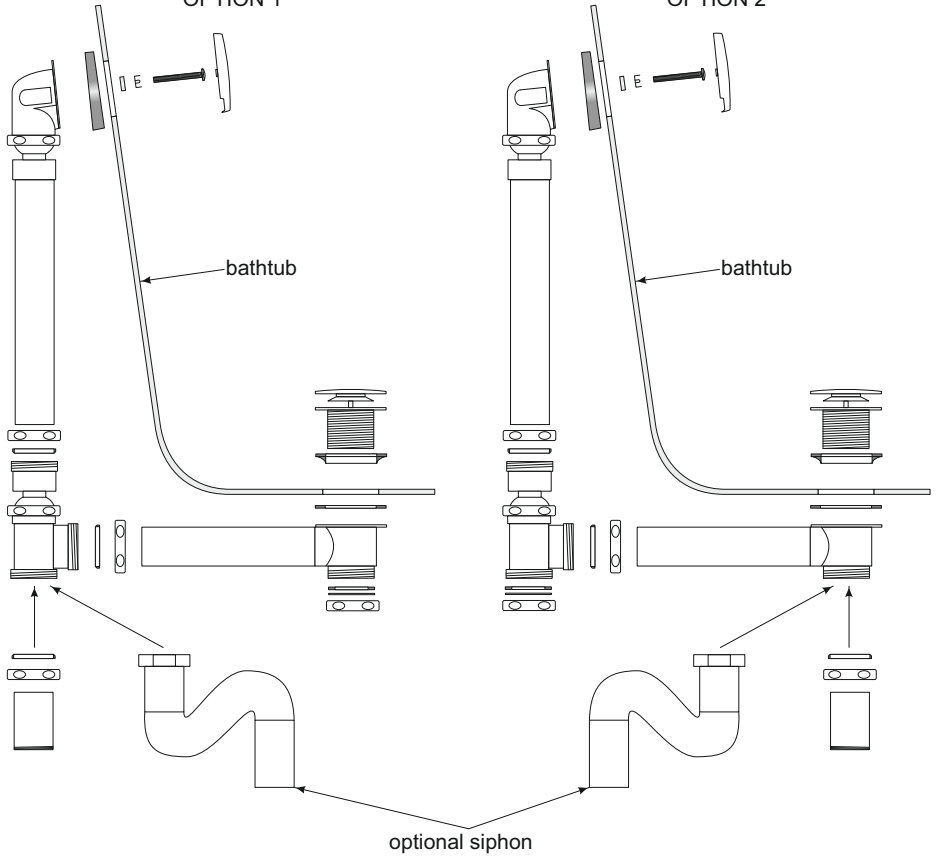


- A - gasket;
- B - drain pipe; optionally, a siphon can be installed in its place (not included in the set).
- C - nut;
- D - plug;
- E - connecting tube; can be shortened if necessary;
- F - foam pad;

DRAINAGE ANTICA - ASSEMBLY DIAGRAM

OPTION 1


OPTION 2



NOTES ON SAFETY, USE AND FEATURES OF THE BATHTUB

1. Do not allow the product to come into contact with water at a temperature above 65°C, open flames or incandescent objects.
2. Do not use the product if it is damaged.
3. Dimensional tolerances: for dimensions ≤ 1000 mm - ± 5 mm; for dimensions > 1000 mm - ± 10 mm.
4. It is not recommended to use substitutes from other manufacturers. Differences in parameters may affect the correct operation of the product.

BATHTUB MAINTENANCE

1. The surface of the product should be cleaned using mild detergents and a soft cloth. It is recommended to use a liquid soap solution. After cleaning, rinse/remove any detergent residue thoroughly and dry the product - long-term contact of the product surface with detergents may cause damage to its surface.
 Do not use aggressive agents containing corrosive, irritating or abrasive substances. They can damage the surface of the bathtub. The cloth used must not contain fibers with abrasive or scratching effects.
2. To remove limescale and stone deposits, you can use citric acid diluted with water. in a ratio of 1:5. The descaled surfaces should be thoroughly rinsed with clean water and dried. Prolonged contact of the bathtub with the agent may cause damage to its surface.
3. It is forbidden to use any chemicals to clean the sewage system. They can damage the drainage seals.

 **KERRA**®

NOVOTERM®
postaw na komfort

Producer:
NOVOTERM Sp. z o.o.
ul. Zimowa 6, 70-807 Szczecin
www.novoterm.pl