

Wish you have a happy shopping, if you have any installation or after-sales questions, please email us!

Planter With Screen

Installation Guide

Thank You!

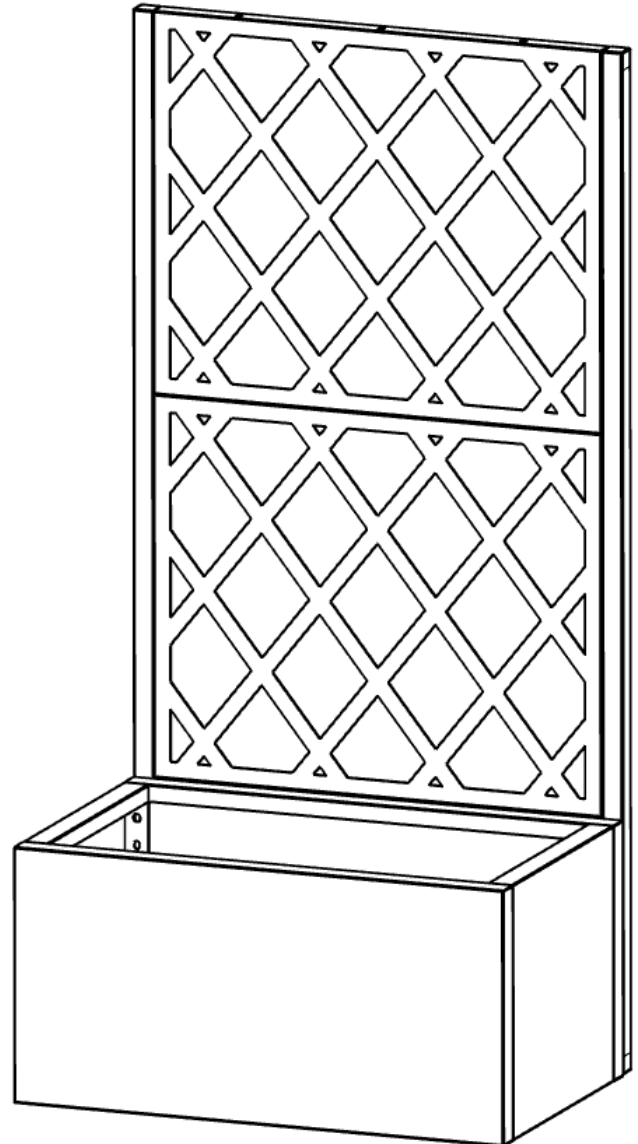
You're only a few steps away from your perfect raised garden bed with trellis or outdoor privacy screen with planters.

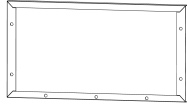

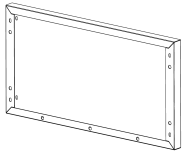

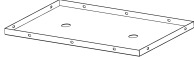
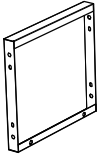
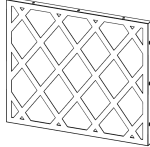
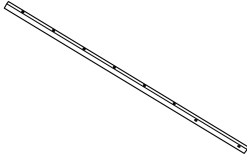

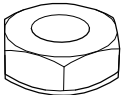
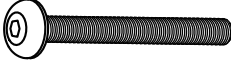
Before You Start

Please read the instructions carefully to familiarize yourself with every detail and step involved. Keep this manual for future reference. Find a suitable space to assemble your new Raised Garden Bed.

Important Notes

Small parts are included; we advise you to keep them away from children and pets.
We also suggest having another person help you assemble.

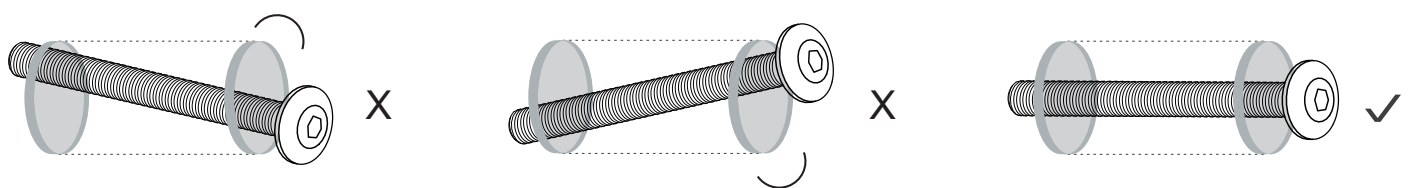
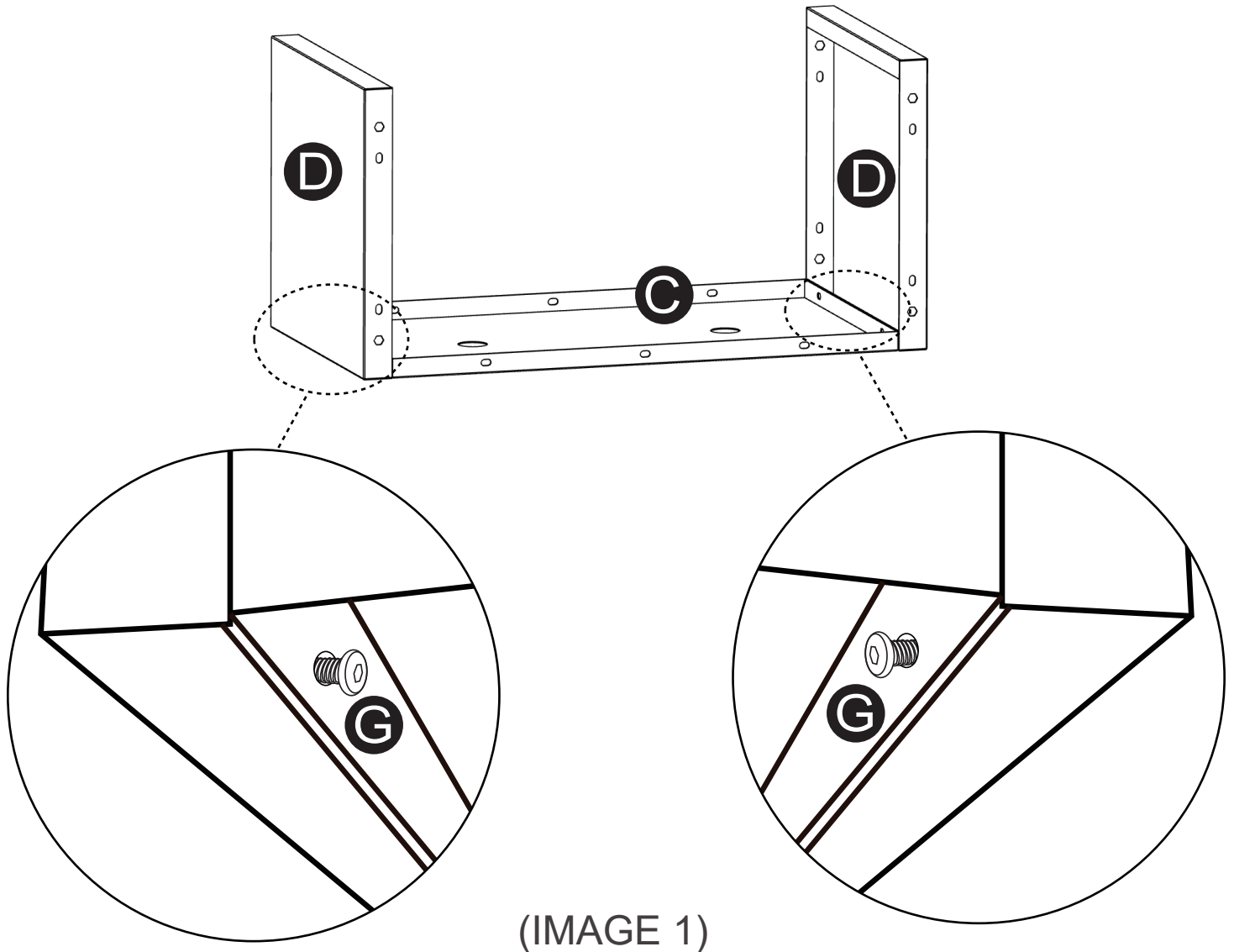


NO.	PARTS	QTY	NO.	PARTS	QTY
A		1PCS	J		1PCS
B		1PCS	K		1PCS
C		1PCS			
D		2PCS			
E		2PCS			
F		2PCS			
G	 M6*12MM	33PCS			
H	 M6	3PCS			
I	 M6*70MM	4PCS			

Assembly

First make sure the holes for each screw are in the correct position. Reference **IMAGE 1**. Put the short board **D** and the short board **D** perpendicular to the ground and the bottom board **C**, and install the short board **D** and the bottom board **C** with screws **G**

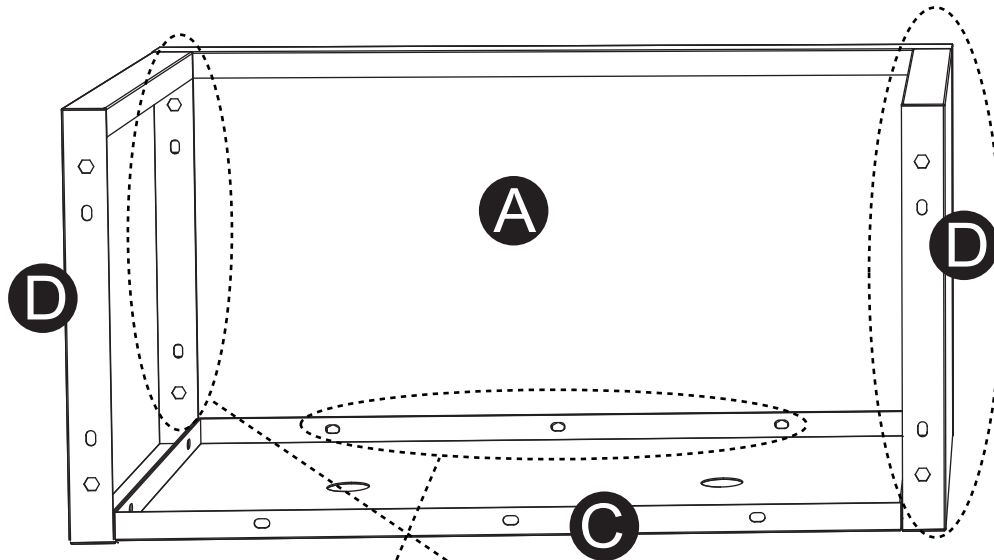
NOTE: Sometimes the screws can get misaligned, as shown in **IMAGE 2**, which can cause the panels to misalign. Please turn the screw in half and adjust to the correct position, then lock the screw.



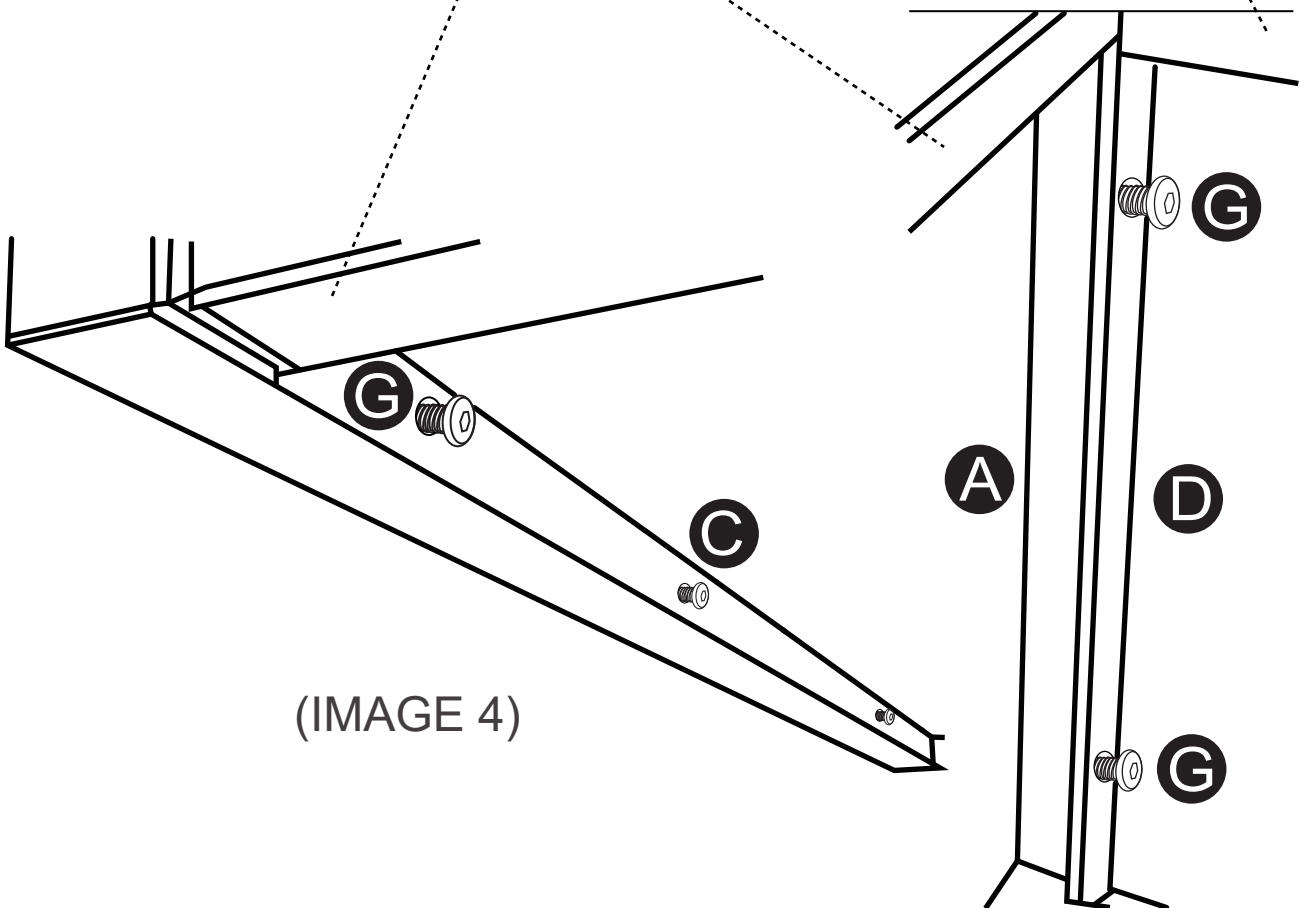
(IMAGE 2)

Assembly

As shown in **IMAGE 3**, use three screws **G** to install the long board **A** and the bottom board **C**, and then use four screws **G** to fix the long board **A** and the short board **D** as shown in **IMAGE 4**. This step is one step away from a perfect planting box.



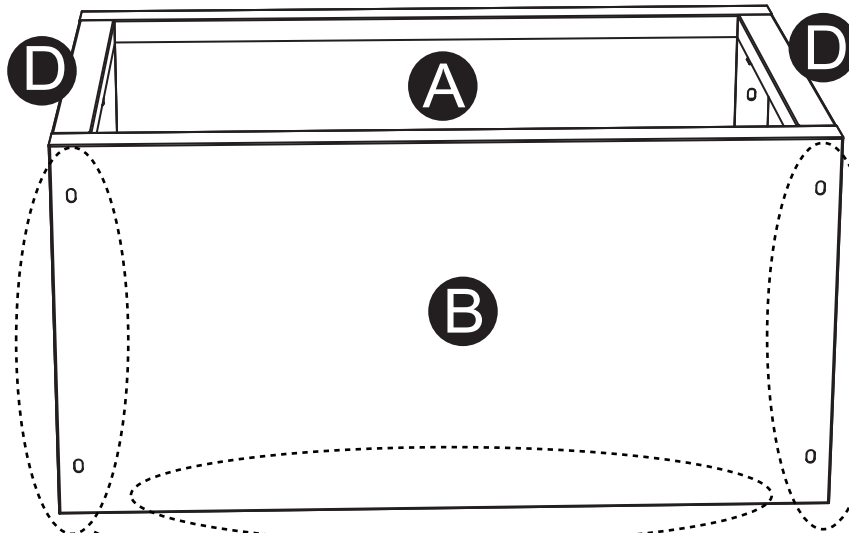
(IMAGE 3)



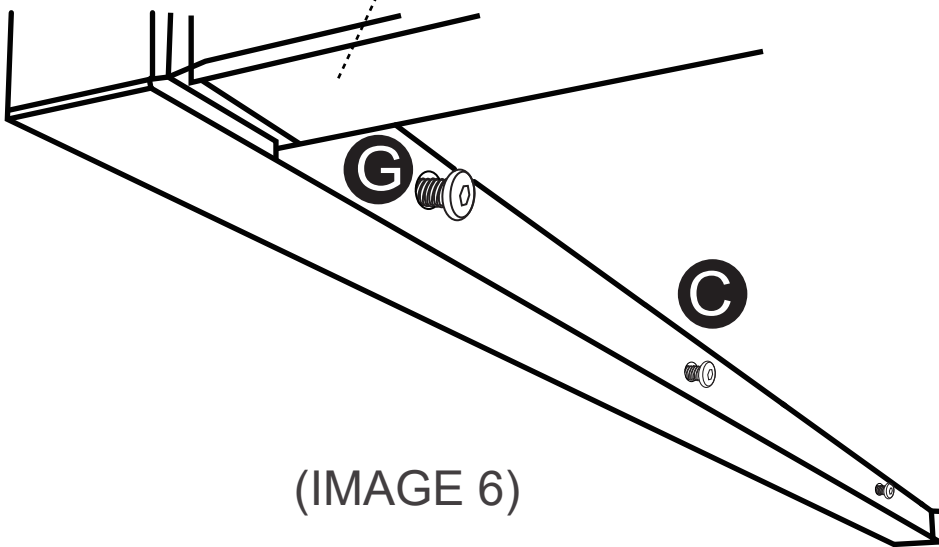
(IMAGE 4)

Assembly

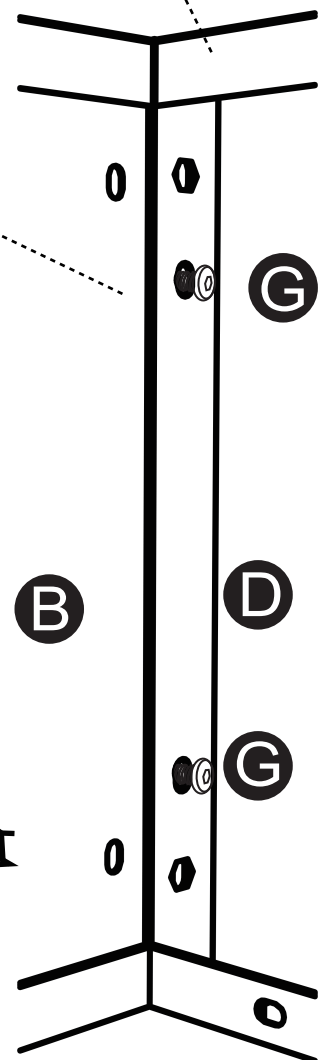
Repeat the previous step to install long board **B** and bottom board **C** with three screws **G**, and fix long board **B** and short board **D** with four screws **G**, as shown in **IMAGE 5/6** and you will get a perfect planter box.



(IMAGE 5)

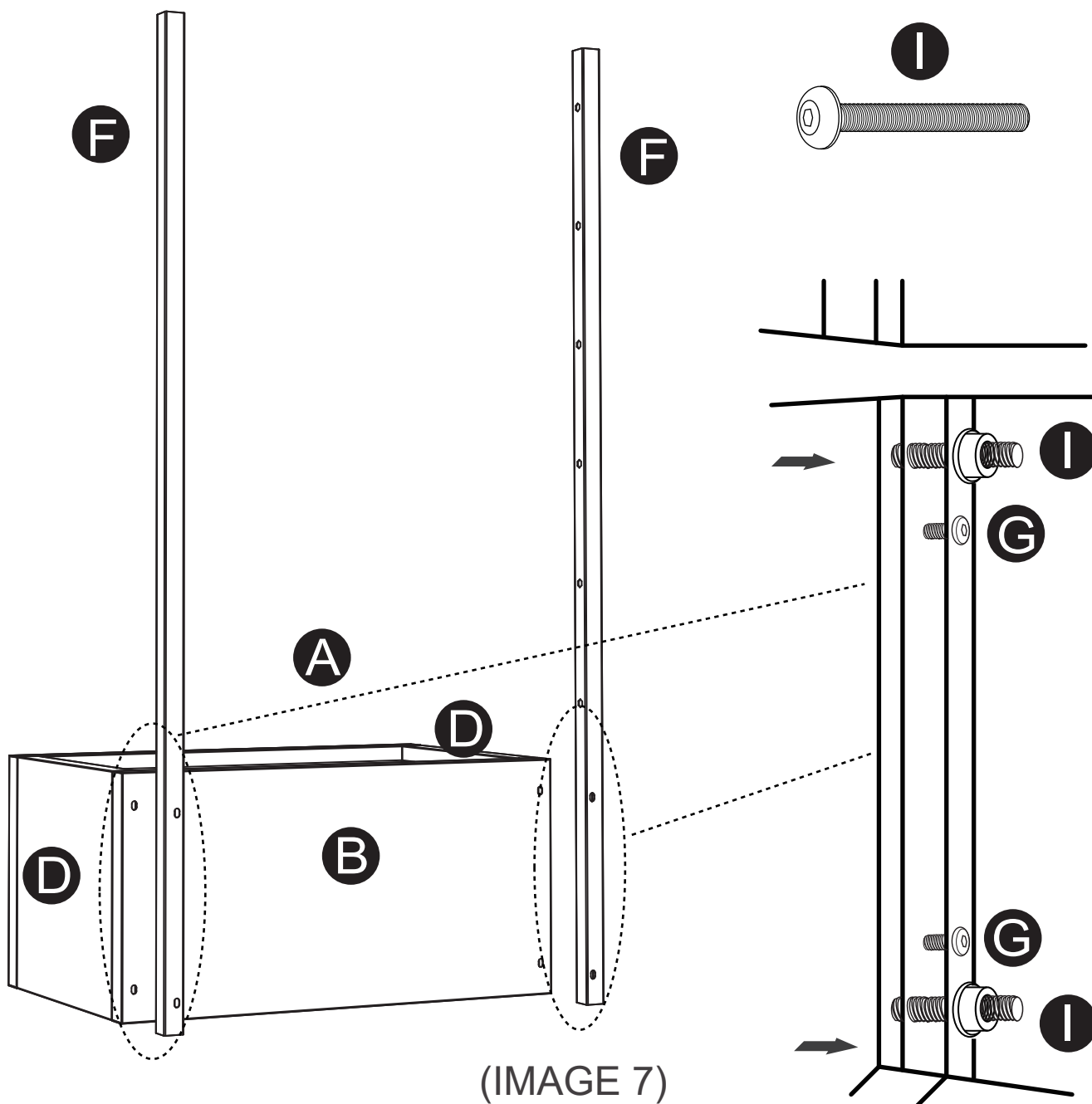


(IMAGE 6)



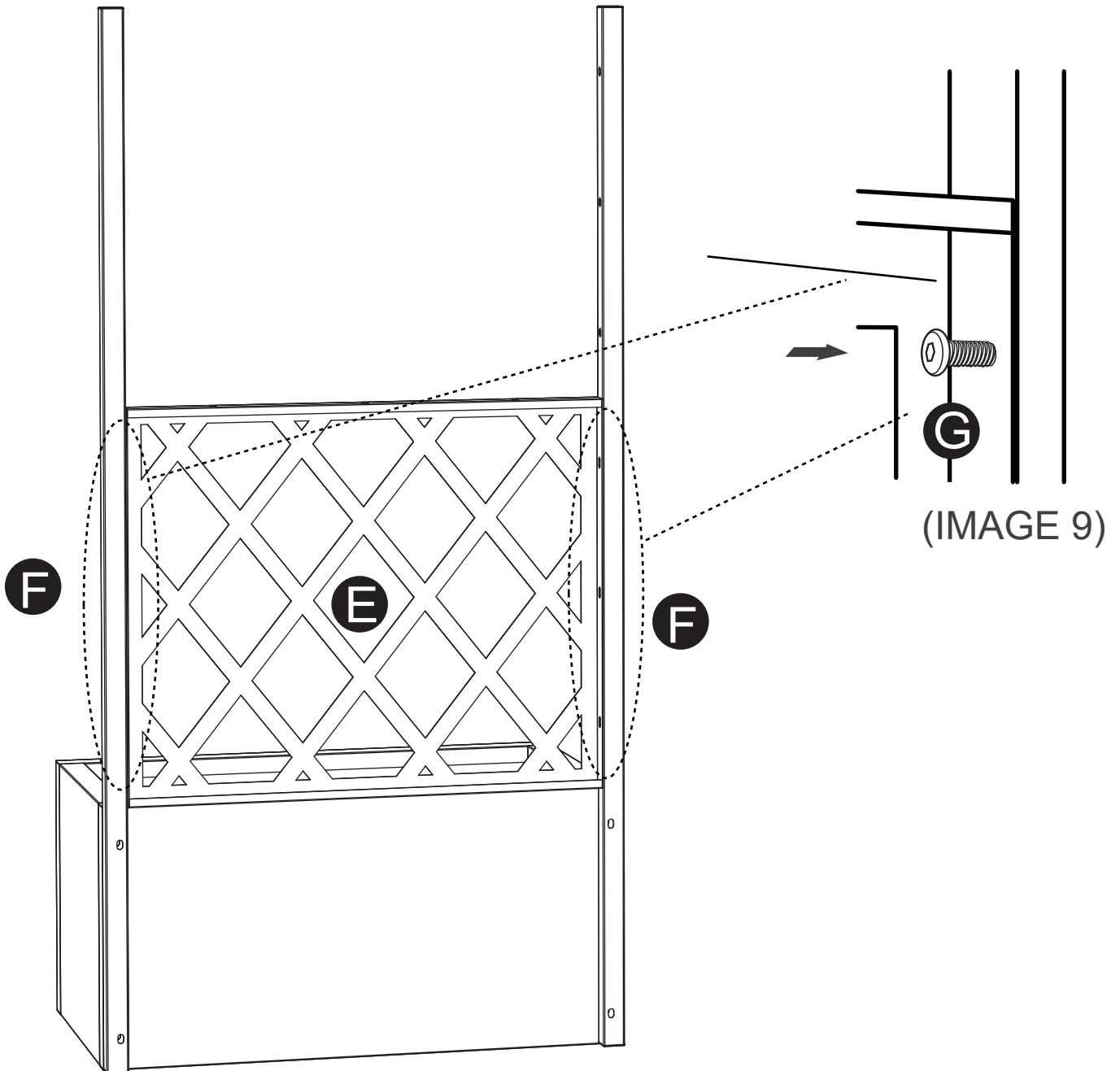
Assembly

Use 4 screws **I** to fix the tube **F** on the planter box (long board **B**), as shown in **IMAGE 7**.



Assembly

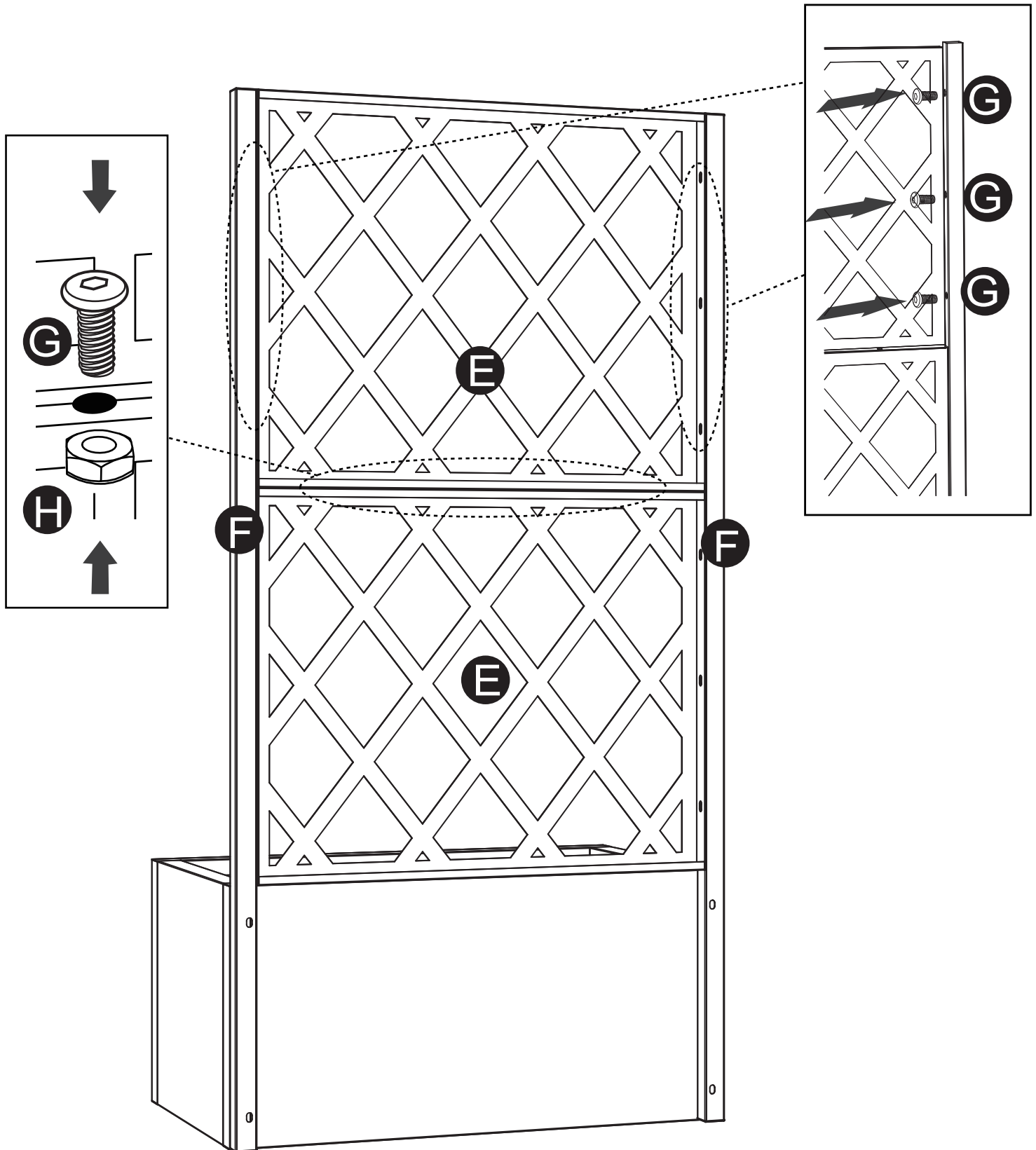
As shown in **IMAGE 8** , Connect the **F** pipe to the **E** panel using screw **G**.
Note: When installing the panel, install the above screws first as shown in **IMAGE9**, otherwise it is easy to cause the holes to be misaligned.



(IMAGE 8)

Assembly

As shown in **Image 10**, fix the remaining panels with screws **G** and nuts **H**. Check that all the screws are tightened, and then you have a perfect garden raised bed with trellis!



(IMAGE 10)