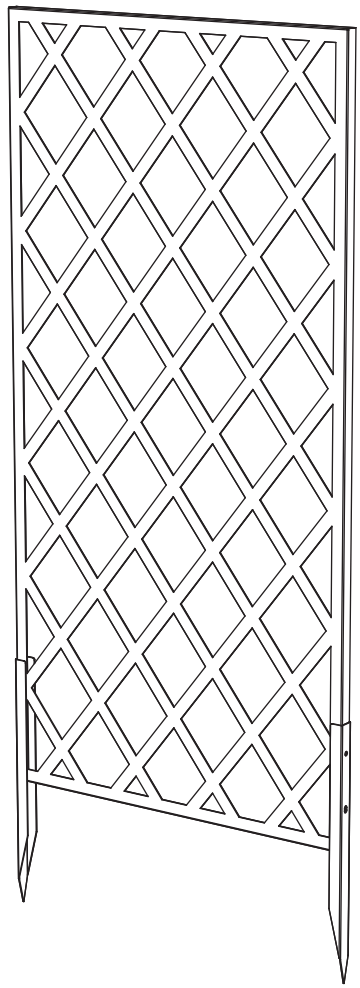

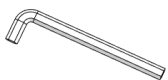
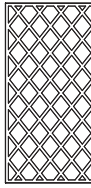




Metal screen Installation Guide

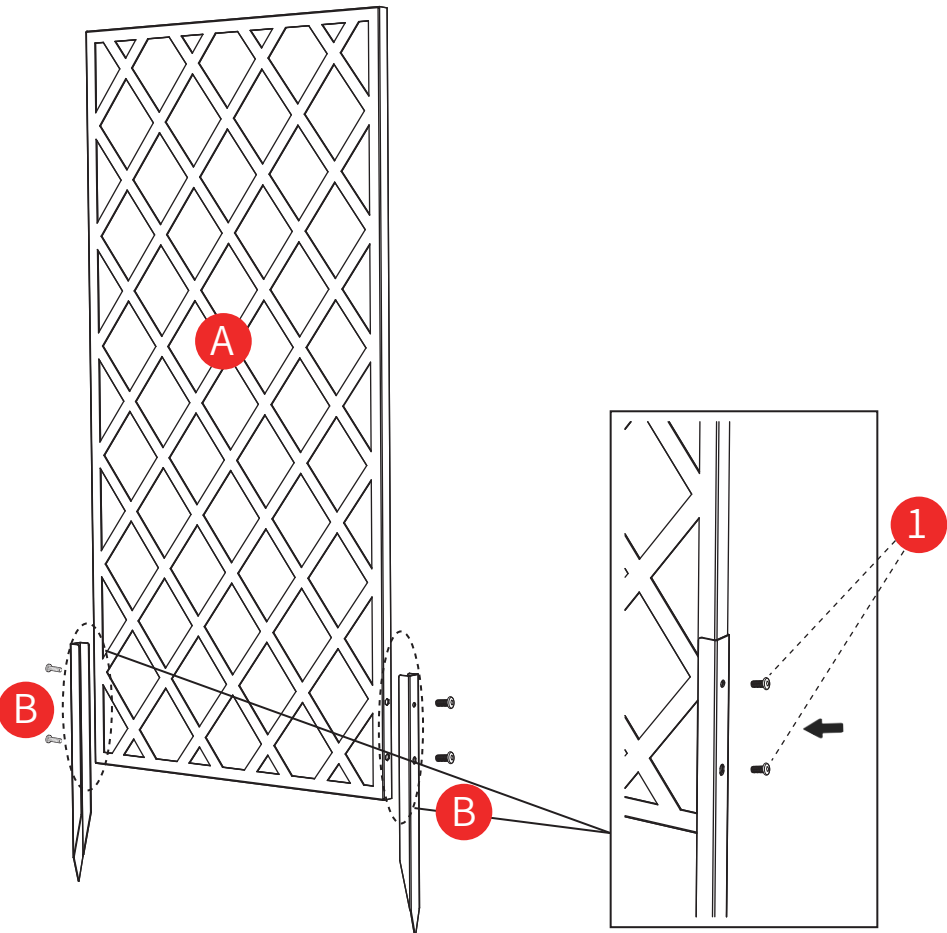


Metal screen Installation Guide

- 1** M6*12mm

4X
- 2**

1X
- A**

1X
- B**

2X
- C**

1X

Metal screen Installation Guide

1. Combine component A with component B and secure them firmly with bolt 1.



Metal screen Installation Guide

2. Use a hammer to firmly secure component A and component B to the ground. To avoid damaging the product, please place wooden items as a buffer.

