

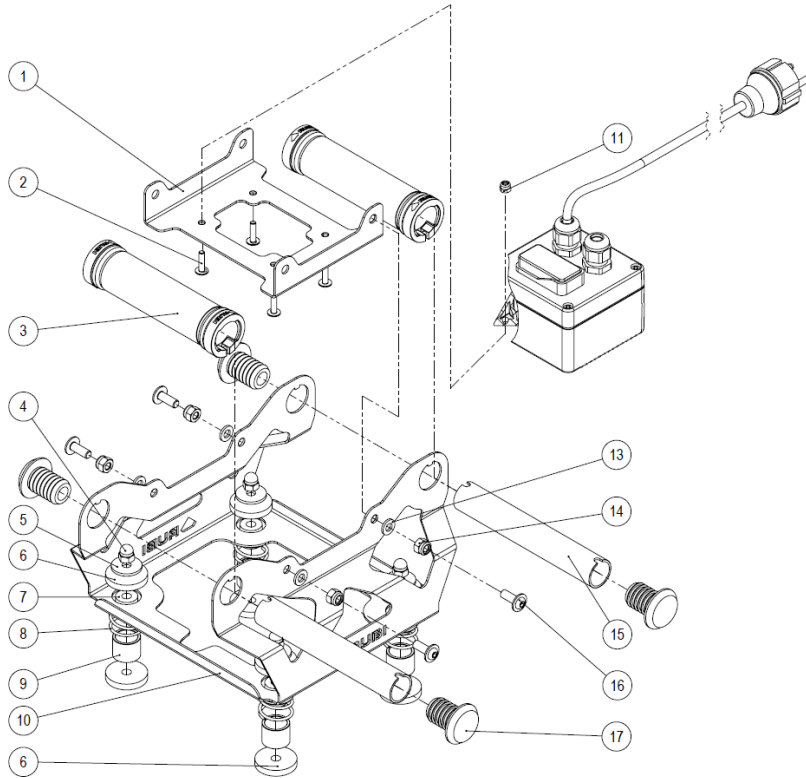
Part-list	ES	EN	Prod.
1	A	GRUPO A	GROUP A
2	B	GRUPO B	GROUP B
3	C	GRUPO C	GROUP C

Prod.	ES	EN	From serial num.
18948	RUBI TRILLER 230V 50/60HZ	RUBI TRILLER 230V 50/60HZ	500
18958	VIBRADOR SLAB 230V 50HZ SRT	SLAB VIBRATOR 230V 50HZ SRT	500
18978	RUBI TRILLER 120V 50/60HZ USA	RUBI TRILLER 120V 50/60HZ USA	500

Queda reservado el derecho de introducir cualquier modificacion técnica sin previo aviso

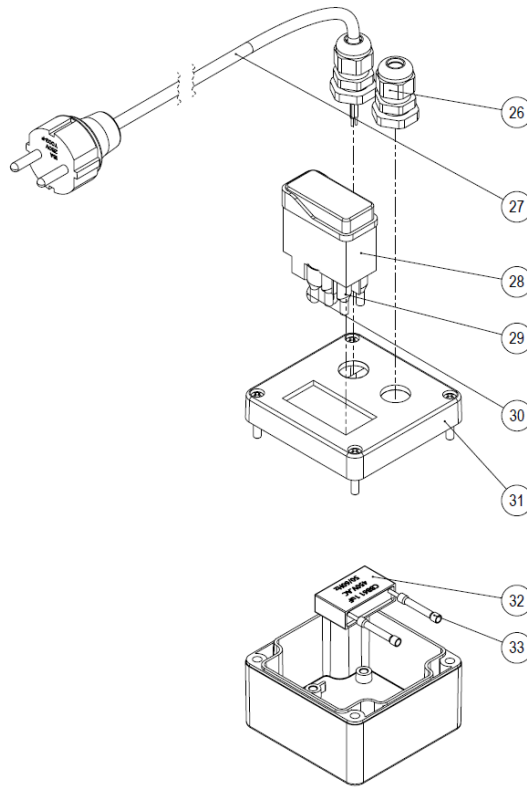
We reserve the right to introduce any technical modification without previous notice

A

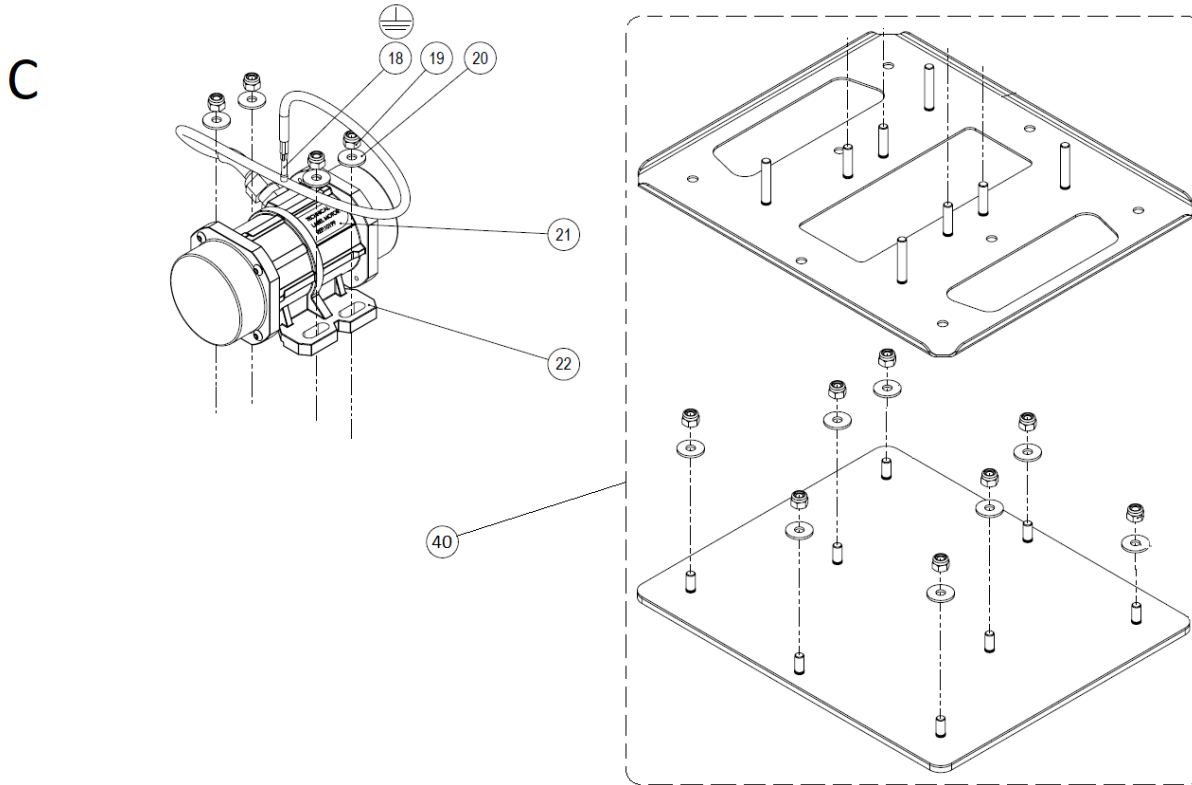


Part-list	ES	EN	Prod.
1	10224 1	PLACA SOPORTE ELECTRICO RUBI TRILLER	ELECTRIC SUPPORT PLATE RUBI TRILLER
2	15348 4	TORN DIN 7380 AR M4X16 6.8 ZN	SCREW DIN 7380 AR M4X16 6.8 ZP
3	18214 2	MANGUITO Ø31/22X130	HANDGRIP Ø31/22X130
4	10258 4	TUERCA DIN 1587 M6 8.8 ZN	NUT DIN 1587 M6 8.8 ZN
5	58137 4	ARAND DIN 440 R M6 8.8 ZN	WASHER DIN 440 R M6 8.8 ZN
6	10204 8	AMORTIGUADOR GOMA	RUBBER DAMPER
7	18863 4	AMORTIGUADOR GOMA D16 A16	RUBBER DAMPER D16 H16
8	10202 4	AMORTIGUADOR MUELLE	SPRING DAMPER
9	10201 4	CASQ FRICCION 16X20X16	FRICTION BUSHING 16X20X16
10	10278 1	PLACA BASE CHASIS RUBI TRILLER V2	CHASSIS BASE PLATE RUBI TRILLER V2
11	15349 4	TUERCA DIN 982 M4 8.8 ZN	NUT DIN 982 M4 8.8 ZP
13	25177 4	ARAND DIN 125 A6,4 ZN	WASHER DIN 125 A6,4 ZN
14	18745 4	TUERCA DIN 982 M6 CL8 ZN AUTOBLOC	HEX LOCK NUT DIN 982 M6 CL8 ZP
15	18208 2	TUBO 22X19 L=136	TUBE 22X19 L=136
16	16023 4	TORN ISO 7380 ARAND. M6X16 NOX A2	SCREW ISO 7380 WASHER M6X16 SS A2
17	18211 4	TAPON PLASTICO MANGO Ø31/22	PLASTIC CAP GRIP Ø31/22

B



Part-list	ES	EN	Prod.	
26	45088 2	PRENSAESTOPA PG-9 PLASTICO	COMPRES.GLAND PG-9 PLASTIC	
27	10267 1	ENCHUFE CABLE 3X1,5 CHN 4,5M	CABLE AND PLUG 3X1,5 CHN 4,5M	18958
27	10200 1	ENCHUFE CABLE H05VV-F 3x1MM2 4.5M	CABLE PLUG H05VV-F 3x1MM2 4.5M	18948
27	15426 1	CABLE ENCHUFE NEMA 5-15P/17AWGx3	CABLE PLUG NEMA 5-15P/17AWGx3	18978
28	40060 1	INTERRUP.AC120V 50/60HZ E-T-A	SWITCH AC120V 50/60HZ E-T-A	18978
28	57456 1	ARRANCADOR 230V 50HZ BALANCIN	STARTER 230V 50HZ	18948, 18958
29	10219 5	FASTON HEMBRA 6,3X0,8 AISLADA	FEMALE FASTON 6,3X0,8 ISOLATED	
30	10266 1	CABLE AZUL 1MM2X60MM	BLUE CABLE 1MM2X60MM	
31	10209 1	CAJA ELECTRICA 80X82X55MM	ELECTRIC BOX 80X82X55MM	
32	15443 1	CONDENSADOR CBB61 5UF	CAPACITOR CBB61 5UF	18978
32	10217 1	CONDENSADOR CBB61 1uf	CAPACITOR CBB61 1uf	18948, 18958
33	16418 2	TERMINAL DE EMPLAME AISLADA 22-16AWG	INSULATED SPLICE TERMINAL 22-16AWG	



Part-list	ES	EN	Prod.
18 16418 1	TERMINAL DE EMPLAME AISLADA 22-16AWG	INSULATED SPLICE TERMINAL 22-16AWG	
19 18745 4	TUERCA DIN 982 M6 CL8 ZN AUTOBLOC	HEX LOCK NUT DIN 982 M6 CL8 ZP	
20 45038 4	ARAND DIN 9021 A6,4 ZN	WASHER DIN 9021 A6,4 ZP	
21 10222 1	PLACA CARACT.MOTOR REF:10199	TECHNICAL LABEL MOTOR REF:10199	
22 10199 1	MICRO MOTOR VIBRACION 230V	VIBRATION MICRO MOTOR 230V	18948, 18958
22 15424 1	MICRO MOTOR VIBRACION 120V	MICRO VIBRATION MOTOR 120V	18978
40 10359 1	CJ.BASE DESLIZANTE RUBI TRILLER	SLIDING BASE SLAB RUBI TRILLER	